

PoolCo USA

Automatic Chlorinators

POWERclean ULTRA In-Line Chlorinator

POWERclean ULTRA In-Line Chlorinator

1 per box

25280-100 with Clear Lid

25280-110 with White Lid

- Holds 12-3" tablets or 5lbs of 1" tablets
- Designed to treat pools from 5,000 to 50,000 gallons
- Clear lid for easy serviceability
- 2" unions for quick-disconnect
- Superior dial with 100% shut-off
- Built in flow meter for easy adjustment
- No external hoses
- All piping is inside unit to eliminate leaks



PowerClean Ultra In-Line Chlorinator Replacement Parts

- | | |
|-------------------|--------------------------|
| 1) 25280-100-005 | Grate |
| 2) 25280-000-920 | Check Valve Assembly |
| 3) 21023-000-000 | 2" Union |
| 4) 25280-100-950 | Flow Meter Assembly |
| 5) 26203-021-250 | O-ring, Upper Flow Meter |
| 6) 26202-115-020 | O-ring, Lower Flow Meter |
| 7) 26100-100-330 | O-ring, Dial Assembly |
| 8) 25280-100-930 | Dial Assembly |
| 9) 25280-100-001 | Cover Nut |
| 10) 25280-109-002 | Cover, Clear |
| 25280-100-002 | Cover, White |
| 11) 26101-060-530 | O-ring, Cover |

Chlorinators NEW!

POWERclean MINI

POWERclean MINI Chlorinator

1 per box

25280-200

- Designed to treat pools from 5,000 - 20,000 gallons
- Holds (5) 3" Tablets or 2lbs. of 1" Tablets
- Great for above ground pools
- 1-1/2" hose adapter included
- 1-1/2" threaded fitting included



PowerClean Mini Chlorinator Replacement Parts

- | | |
|------------------|------------------------|
| 1) 25280-100-005 | Grate |
| 2) 25280-000-920 | Check Valve Assembly |
| 3) 25280-200-002 | Lid |
| 4) 26101-060-530 | O-ring, Lid |
| 5) 25280-200-960 | Flow Chamber Cap Assy. |
| 6) 26203-021-250 | O-ring, Flow Chamber |
| 7) 25280-100-930 | Dial Assembly |
| 8) 26100-100-330 | O-ring, Dial Assembly |

Item #	Description	Price
25280-100	POWERclean Ultra In-Line	\$98.00
25280-200	POWERclean Mini Chlorinator	\$59.00

PoolCo USA

Automatic Chlorinators



CL200



CL220



Off-Line Parts Kit

Automatic Chemical Feeders					
Model No.	Pipe Size	Chemical Capacity	Feeder Width	Feeder Height	Price
In-line Chlorinators					
CL200	1 1/2" FIP	9 lbs.	9"	14 3/4"	120.00
Off-Line Chlorinators					
CL220	-	9 lbs.	8 1/4"	15 1/2"	150.00
Hayward Clone In-Line Chlorinator (same as CL200) also, very reliable					
110681	1 1/2" FIP	9 lbs.	--	--	80.00
Hayward Clone Off-Line Chlorinator (same as CL220) also, very reliable					
110680	-	9 lbs.	--	--	85.00

Off-Line Chlorinator Parts Kit		
--	Generic Parts Kit	20.00



PoolCo USA

WATERWAY CHLORINATORS



Part No.	Description	Color	Price
CCF012-W	Off-line 12 Tablet Feeder	White	104.00
CLC012-W	In-line 12 Tablet Feeder- 2" Socket	White	118.00
CLBA012-W	In-line 1 1/2" FPT with bracket for Clearwater filter system	White	130.00
550-6700	Bracket with screws for In-line chlorinator	Black	20.00

Clearwater automatic chlorinators provide safe and reliable pool sanitation. Clearwater's durable flow valve for regulating chlorine or bromine flow has been improved to better adjust for more accurate settings. The dial has been moved to make viewing easier and the external hose has been eliminated on the in-line model.



Off-Line

OFF-LINE FEATURES

- 2 barbed fittings to simplify hook-up to above ground pool installations.
- 2 hose clamps for plumbing in-ground pools or hard plumbed pools.
- Optional accessory pad for use with ClearWater pumps and filters.
- A check valve to prevent backflow of water into chlorinator.

IN-LINE FEATURES

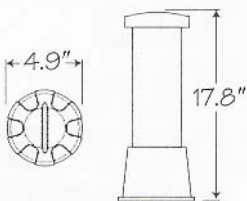
- 2" socket x 2 1/2" spigot (1 1/2" socket reducers included).
- A check valve to prevent backflow of water into chlorinator.
- Internal chamber designed for improved performance.

* Also available in white.



In-Line

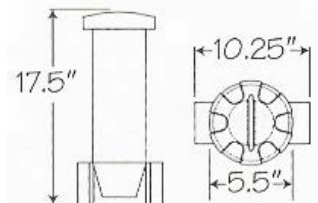
Off-Line



550-6700

Chlorinator bracket.
For complete assembly, see page 21.

In-Line

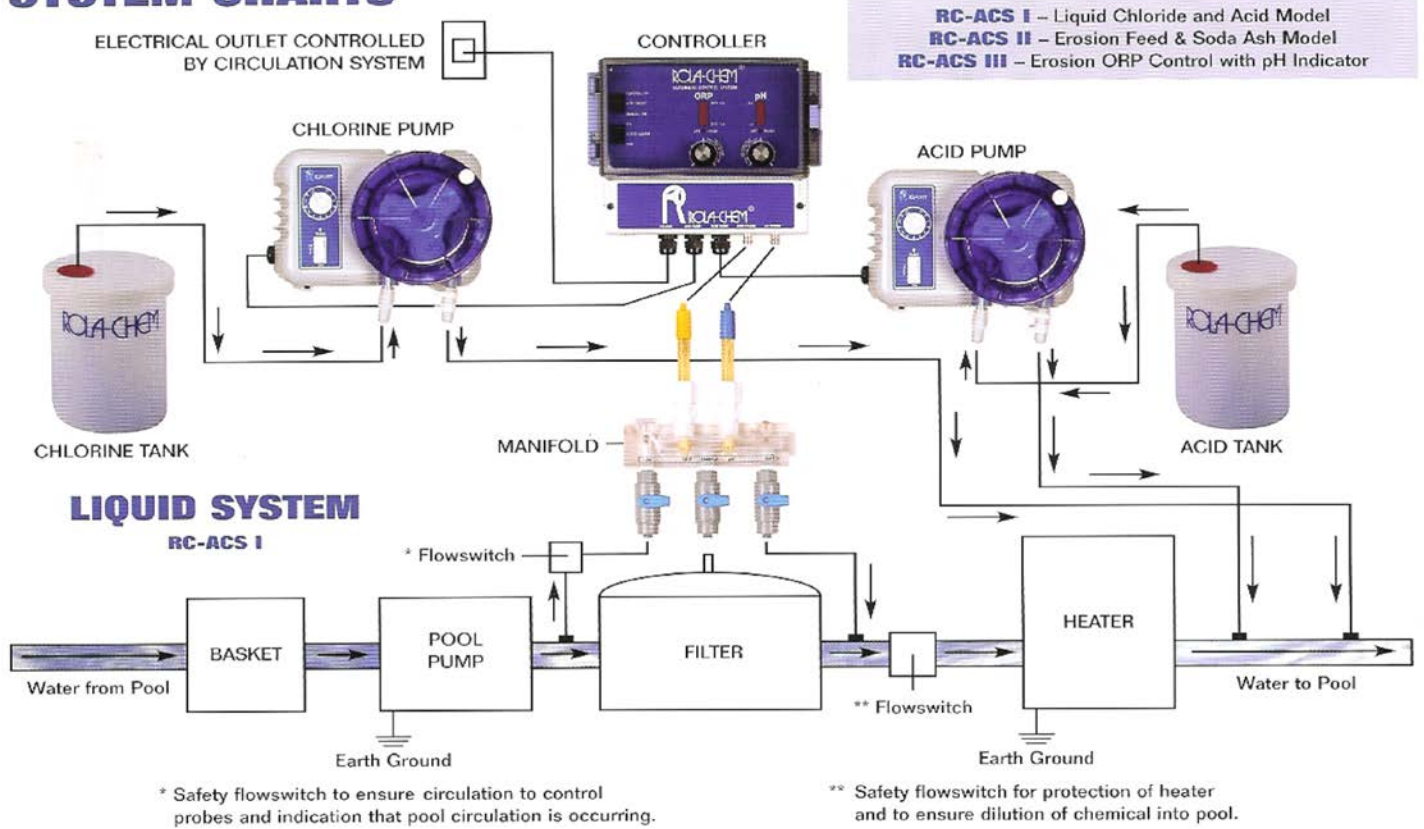


PoolCo USA

Automatic Controllers & Flow meters



SYSTEM CHARTS



Controller System

Part No.	Description	Price
554000	Programable digital orp/ph controller with flowswitch flow cell, probes plus fittings and tubing to install flow cell.	1,995.00

Flow Meters (Top Mount)

Model #	Pipe Size	Range (GPM)	Range (LPM)	Price
570341	1 1/2" P	20-100	76-378	80.00
570351	2" P	40-140	151-530	90.00
570361	2 1/2" P	80-260	303-964	105.00
570371	3" P	100-320	378-1211	120.00
570381	4" P	150-550	568-2082	140.00
570391	6" P	300-950	1136-3596	179.00
570401	8" P	600-1800	2271-6813	196.00



PoolCo USA

Automatic Controllers continued

CHEMICAL TANKS

Rola-Chem offers a range of heavy duty tanks and covers available in 5, 15, 30, and 55 gallon sizes. They are precision molded of high density polyethylene polymer which is highly resistant to corrosive solutions. For your Convenience, tanks and lids are sold separately.

Features:

- Translucent - allows visual check of chemical level
- Heavy Duty Construction - longer lasting
- UV Protected - solar rays will not damage chemicals

Part No.	Model #	Size	Description	Price
561004	T-5	5 Gal	Poly Tank with cover & cap plug 14”h x 11”d	89.00
561015	T-15	15 Gal	Poly Tank with cover & cap plug 21 1/2”h x 15”d	196.00
561265	PT-15	15 Gal	Poly Tank for mounting pump 40 1/2”h x 15”d	298.00
561030	T-30	30 Gal	Poly Tank with cover & cap plug 28 1/2”h x 18”d	336.00
561055	NEW T-55	55 Gal	Poly Tank with cover & cap plug 34”h x 22 1/2” d	420.00

Peristaltic Pumps

Part No.	Model No.	Min. Feed	Max Feed	Volts	Price
Pro Series					
543709	RC252SC	.01 GPD	1.12 GPD	120 Cord	595.00
543700	RC25/53SC	.10 GPD	12 GPD	120 Cord	595.00
543702	RC103SC	.30 GPD	32 GPD	120 Cord	595.00



GPD = Gallons per day **ALL LISTED ROLA-CHEM PRODUCTS ARE STOCKED !!**
No Price Increases for 2012 !



PoolCo USA

Salt Chlorine Generator Systems



Part No.	Description	Price
CPSC48	Salt Chlorine Generator-60,000 Gallon – Dual Voltage	1,750.00
CPSC36	Salt Chlorine Generator-40,000 Gallon – Dual Voltage	1,695.00
CPSC24	Salt Chlorine Generator-26,000 Gallon – Dual Voltage	1,595.00
CPSC16	Salt Chlorine Generator-20,000 Gallon – Dual Voltage	1,550.00
CPSC08	Salt Chlorine Generator-4,000 Gallon – Spa Dual Voltage	1,395.00
CPSC24-AG	Salt Chlorine Generator-26,000 Gallon – A/G 110V	1,495.00
CPSC16-AG	Salt Chlorine Generator-20,000 Gallon – A/G 110V	1,450.00

Powerful Features

- 3500 P.P.M. salt
- LCD digital display
- LED indicator lights
- High and low salt fault lights
- No flow sensor and fault light
- Self regulating function if salt content is too high
- Fully weather protected
- Winter mode for cold water operation
- SuperChlor mode for boosting chlorine levels during peak times
- Touch pad controls that provide easy setting
- Fully automatic operation – even when the owner is away
- Easy installation to new and existing pools
- Reliable and durable for long lasting performance
- Digital time clock with battery back up timer as standard
- Cell has push on water proof connectors for simple exchange of cell
- Advanced high grade U.V. stabilised plastic control unit
- Large alloy heatsink for heat disipation and corrosion resistance

2Year
Full Warranty
on Power Pack

5Year
Pro-rated
Warranty
on Cell

Generic Replacement Cells

Part No.	Description	Price
GRC40GH	Replaces Goldline/Hayward – Aquarite 40,000 Gallon	861.00
GRC20GH	Replaces Goldline/Hayward – Aquarite/Aqua-trol 20,000 Gallon	618.00
GRC/EM	Replaces Ecomatic/Monarch – ESC 24/36/48	934.00
GRC16EM	Replaces Ecomatic/Monarch – ESC 16	859.00
GRC/ESR240/300	Replaces Ecomatic – ESR240/300 (non-reversing)	675.00
GRC/ESR160/200	Replaces Ecomatic – ESR160/200 (non-reversing)	621.00
GRC/ESR150	Replaces Ecomatic – ESR150 (non-reversing)	567.00
GRC/ESR70/110	Replaces Ecomatic – ESR70/110 (non-reversing)	648.00
GRC/ZC/LM2-24	Replaces Zodiac/Clearwater – LM2-24 24,000 Gallon	824.00
GRC/ZC/LM2-40	Replaces Zodiac/Clearwater – LM2-40 40,000 Gallon	1,107.00
GRC/ZC/B/C 270	Replaces Zodiac/Clearwater – B/C Series 270 (non-reversing)	499.00
GRC/ZC/B/C 330	Replaces Zodiac/Clearwater – B/C Series 330 (non-reversing)	635.00
GRC/AP/CC-15	Replaces Auto Pilot CC-15 Commercial Cell w/19069 Union	1,277.00
GRC/AP/SC60	Replaces Auto Pilot SC60 w/Unions	861.00
GRC/AP/SC48	Replaces Auto Pilot SC48 w/Unions	591.00
GRC/AP/SC36	Replaces Auto Pilot SC36 w/Unions	402.00

PoolCo USA

HAYWARD® Salt Chlorine Generators

Controllers

(All controllers require appropriate Turbo Cell below)

Part No.	Description	Price
AQR	Aquarite Chlorinator	950.00
AQR-PRO	Aquarite Pro Chlorinator	1,100.00
PL-PLUS	Aqua Plus	2,300.00
PL-PS-4	Pro Logic Base System 4 Relay System – Requires PKIT	1,760.00
PL-PS-8	Pro Logic Base System 8 Relay System – Requires PKIT	2,400.00
PL-PS-16-V	Pro Logic Virtual Control System	2,700.00

Cells For All Controllers

Part No.	Description	Price
T-CELL-15	40k Gallon Turbo Cell w/15' Cable	1,020.00
T-CELL-9	24k Gallon Turbo Cell w/15' Cable	730.00
T-CELL-3	15k Gallon Turbo Cell w/15' Cable	450.00

Accessories for Aquarite and Pro Logic Controllers

Part No.	Description	Price
AQL-CHEM	Sense and Dispense Chemistry Kit – Tests pH and ORP	1,030.00
AQL-CHEM2	Sense and Dispense Kit 120V – pH Dispense & CO ² Valve	495.00
AQL-CHEM2-240	Sense and Dispense Kit 240V – pH Dispense & CO ² Valve	495.00
AQL-CHEM3-120	Acid Feed System pH Dispense – 120V	855.00
AQL-CHEM3-240	Acid Feed System pH Dispense – 240V	855.00
P-KIT	Flow Switch and Union Kit for PS4 & PS8	224.00
AQUA-CON	Aqua Connect – Interface with automation system	555.00

