

# PoolCo USA

## Spa Cover Order Form

Company Name: \_\_\_\_\_ Date: \_\_\_\_\_  
 Address: \_\_\_\_\_  
 City: \_\_\_\_\_ State: \_\_\_\_\_ Postal Code: \_\_\_\_\_  
 Contact: \_\_\_\_\_ Phone: \_\_\_\_\_ Fax: \_\_\_\_\_  
 Email Address: \_\_\_\_\_ Signature: \_\_\_\_\_

This completed form must accompany all cover orders before order can be placed.

**Special Cover Prices**

Includes freight to us - can not ship UPS

1 Std Cover up to 96"  
**LIST Price:** 670.00  
 2 Covers Each 630.00  
 3 Covers Each 600.00  
 Premier – add +80.00  
 Volume Price may be combined with other dealer orders - just so they all ship together.

Custom Items: Extra

**\*\*Please circle the 3 appropriate categories below\*\***

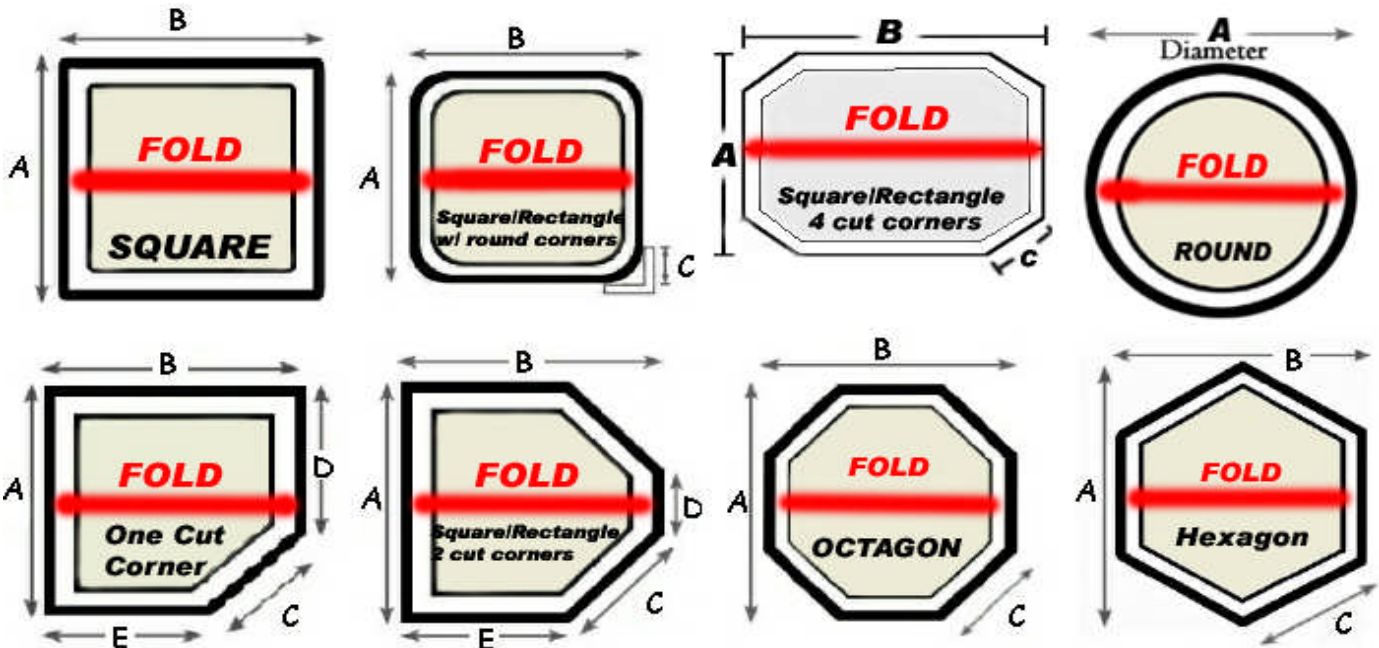
Model: (Standard 4" x 2" Taper) (Premier 5 x 3" taper) (MAXTOP – FRP sheet)

Skirt: 0" 1" 2" 3" 4" 5" 6" or (over 6" – Upcharge)

Colors: **Brown** **Tan** **Almond** **Navy** **Blue** **Charcoal**



**Circle cover style and write dimensions below in INCHES only.**



Enter Dimensions: A \_\_\_\_\_ B \_\_\_\_\_ C \_\_\_\_\_ D \_\_\_\_\_ E \_\_\_\_\_

# PoolCo USA

## Hydro-Quip™ Spa Equipment



**HYDROQUIP™**

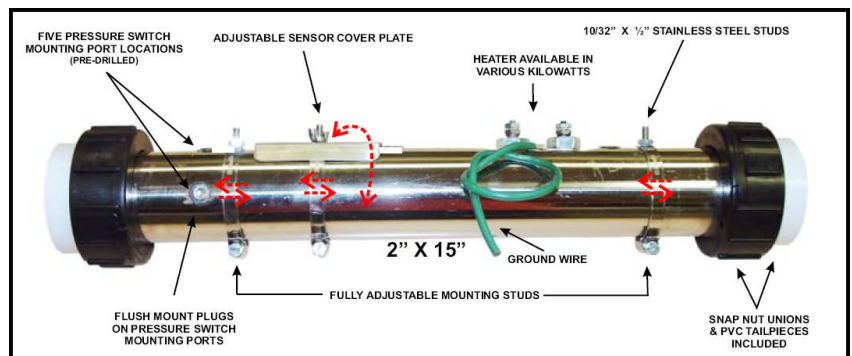
**HeatMax RHS Series Heaters**

Description	Voltage	Wattage	Price
Heatmax RHS 11	240	11	995.00

### UNIVERSAL RITE-FIT HEATER ASSEMBLY

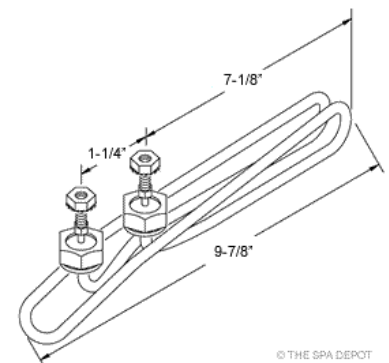
Hydro-Quip introduces our new universal *RITE FIT* heater assembly. This innovative design allows you to use the *RITE FIT* heater to replace many on the market today. Save on inventory and save space, no need to carry so many different models when you only need one, the *RITE FIT* universal heater!

From the ease of installation to the efficiency of our products, your customers will be glad you made the "Smart Choice" and chose equipment manufactured by Hydro-Quip, the industries oldest and most trusted supplier.



Model	Wattage (kW)	Size	Length	Price
48-1540-RS	4.0	2"	15"	120.00
48-1545-RS	4.5	2"	15"	120.00
48-1555-RS	5.5	2"	15"	120.00
Universal Heating Element	5.5	n/a	10"	48.00
Universal Heating Element	4.0	n/a	10"	48.00

### Universal Thru Element 5.5kW



**\*\*See Hydro-Quip Catalog for other available items\*\***

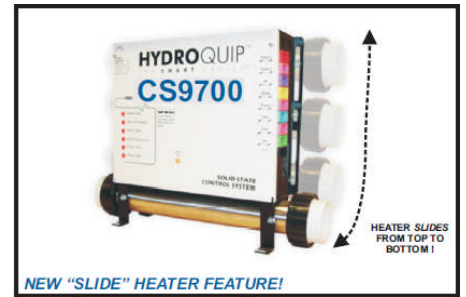
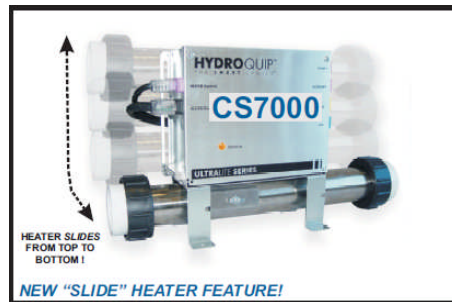
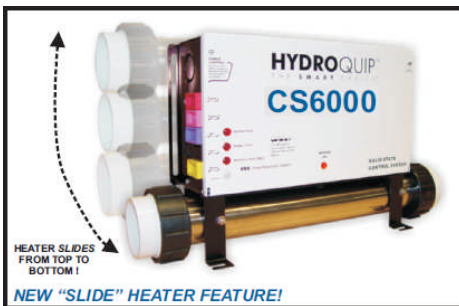
# PoolCo USA

## Hydro-Quip™ Spa Equipment



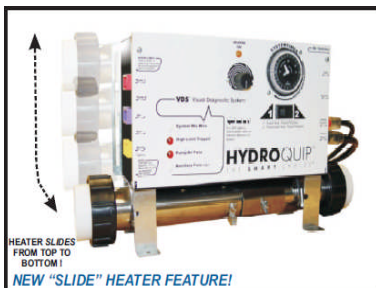
### Solid State Control Systems

Model	Pump 1	Pump 2/ Blwr	Pump 3/ Blwr	Aux Circuit(s)	Blower	Ozone	Circ Pump	12V Light	Price
CS7109-US	2 Spd	N/A	--	--	--	Yes	N/A	Yes	795.00
CS7509-US	1 or 2 Spd	1 Spd	--	--	--	Yes	Yes	Yes	900.00
CS6229-US	2 Spd	2 Spd	N/A	--	--	Yes	N/A	Yes	950.00
CS9709-US	1 or 2 Spd	1 or 2 Spd	1 Spd	2	1-3 Spd	Yes	Yes	1-3 Step	1,350.00



### Air Control System

Model	Pump 1	Pump 2	Blower	Ozone	Price
CS6009-US1	2 Spd	N/A	Yes	Yes	640.00



**FEATURES & OPTIONS**

**Standard:**

- 1.375/5.5KW "SLIDE" Heater Assembly
- 24hr Timer with Mode Switch
- Full Range Thermostat
- Ozone circuit (120V/240V)
- Light Circuit (12V)
- 1 Year Warranty
- Installation Kit

**INSTALLATION KIT\*\* (Included)**

**Kit Includes:**

- Pump, Blower & Ozone Cords
- Air Transmitters (2 to 4 per)
- Air Tubing
- Tailpieces w/Gaskets

\*\* Varies per system series model

All Circuits Are Convertible to 120 or 240VAC

**\*\*See Hydro-Quip Catalog for other available items\*\***