

PoolCo USA

Table of Contents

3-Way Valve	15-6	Directional Eye	15-5,7
AB Measuring Instructions	20-11,12,13	DPD Test Tablets	2-1
Acid	1-2	Drain Rite	13-2
Air Blowers	17-13	Drainer Pumps	17-12
Air Mattresses	4-1	Duct Tape	13-1
Air Pillows	20-5	Ear Plugs	4-1
Air Pumps	4-1	Engineering Data	A-ALL
Air Switches	21-1	Enzymes	1-2
Adhesives	13-1	Equipment Pads	13-7
Algaecide	1-2,3,4	Epoxy Stick	13-1
Alarms	13-5	Escutcheons	13-3
Anchors	13-3	Eye Ball Fitting	15-5
Antifreeze	20-5	Eye Ball Removal Tool	21-1
Automatic Chlorinators	3-5, 16-1,2,3	Fiber-Optics	14-1
Automatic Pool Cleaners	5-1	Filters	18-ALL
Automatic Controllers	16-5,6,7	Filter Grids	22-11
Automatic Covers	9-1	Filter Hose	3-2
Automatic Cover Coping	8-4	Fins	4-1
Automatic Cover Pump	17-12	Fittings, Pipe	15-8
Backwash Hoses	3-2	Fittings, Wall	3-5
Basketball Game	11-3	Fix-A-Leak	13-1
Baskets	3-5, 22-12,13	Flanges	13-3
Bead Lock	21-1	Floaters	3-5
Bead Receiver	21-1	Flow-meters	16-6
Bearings	22-7	Forms	13-2
Blowers	17-13	Fountains	13-6
Boats	4-1	Fulcrum	21-1
Bolts	8-2	Games	4-1, 11-3
Braces	8-2	Gate Valves	15-6
Brochures, I/G Steel	8-2	Gauges	21-1
Bromine	1-1,4	Gaskets	22-14
Brushes	3-3	Gizmos	20-5
BugBands - Insect Repellant	4-2	Glue	13-1,8
Bulbs, Replacements	14-4	Goggles	4-1
Buoys	13-5	GO Kits	22-20
Butterfly Clips	3-5	Grate (wall fitting)	15-5
Cantilever Forms	13-2	Grids	22-11
Capacitors	21-1	Handrails	12-1,2
Cartridge Filter	18-9	Hangers	3-4
Cartridges	22-8,9,10,11	Heat Pumps	19-3,4
Caulk	13-1	Heaters	19-1,2,3,4
Cement, PVC	13-9	Heating Element	6-6
Check Valves	15-6	Heater, Vent Kits	19-1,2
Chemicals	1-ALL	Hef-T Pads	13-7
Chemical Floaters	3-5	Hooks	13-3
Chemical Tanks	16-7	Hoses	3-2
Chlorinators	3-5,16-1,2,3	Hot Tubs	6-ALL
Chlorine	1-1,2,4	Hydrotherapy Fittings	15-5, 21-1
Clamps	13-1	Inflatable Boats	4-1
Cleaner, PVC	13-1	Inflatable Pools	4-1
Cleaning Equipment	3-1,3	Inflatable Toys & Rafts	4-1
Control Joints	13-2	In-wall Ladders	11-2
Coping	8-5	Ionizers	12-3
Cove	13-1	Ion Test Supplies	12-3
Cyanuric Acid	2-1	Jacks Magic	1-3
Deck Drains	13-2	Joints, Control & Expansion	13-2
Deck Equipment	11-3,12-1,2	Junction Box	14-3
Deck Jets	13-6	Ladders, I/G	12-1,2
DE Filters	18-2,4,10,11	Ladders, A/G	12-3
DE Powder	1-2	Ladder Bumpers	21-1
DE Scoops	1-2	Ladder Parts	21-1
Dig Style Details	S-3	Ladder Treads	21-1
Diving Boards	11-3	Leaf Bagger	3-1
Diving Stand	11-3	Leaf Rakes	3-3

PoolCo USA

Leaf Skimmers	3-3
LED Lighting	14-1,2,3,4
Life Rescue Hook	3-4
Life Ring	13-5
Lights	14-1,2,3
Light Bulbs	14-4
Liners, A/G	10-3
Liners, A/G Stocked Styles	S-1,2
Liners, I/G	10-1,2
Liners, I/G Stocked Styles	S-4,5,6,7
Liner Guard	21-1
Liner Lock	21-1
Liner Rod Clips	21-1
Liner Vacuums	17-13
Liquid Chlorine Shock	1-1
Loungers	4-1
Main Drains	15-3,4
Maintenance Equipment	2-ALL, 3-ALL
Masks	4-1
Mesh Covers	20-6,7,8
Miscellaneous Parts	21-1
Mortex	13-2
Motors	22-1 thru 6
Motor Bearings	22-7
Multi-Port Valves	18-3,4,7,12-17
Nature2 Spa Cartridge	1-2
Niches	14-2,3
Nose Pinch	4-1
Nuts & Bolts	8-3
O-rings	22-14,thru19
Ozone Sanitizer (Spa)	12-3
Pads	13-7
Paints	13-8
Patch Kits	3-5
Parts (All are listed in back)	23-ALL
Peristaltic Pumps	16-6,7
Pillows	20-5
Pipe	13-1
Pipe Fittings	15-8
Plast-Aid	13-1
Plugs	20-5
Polaris Cleaners	5-1
Poles	3-4
Pool Bond – Electrical Bond	13-3
Pool Drainer Pumps	17-12
Pool Enzymes	1-2
Pool Floats	13-5
Pool Kits- A/G	7-ALL
Pool Kits- I/G	8-1
Pool Signs	3-4
Pressure Gauges	21-1
Pressure Switches	21-1
Pumps	17-1 thru 13
Purifier	1-3
PVC Cement, Cleaner	13-9
Q-Vac	17-13
Reagents	2-1
Repair Kits	3-5
Replacement Cells – Salt	16-8
Rescue Hook	3-4
Return Fittings	15-5,7
Ring Buoys	13-5
Rod Clips	21-1
Rope Eyes	13-3
Ropes & Accessories	13-5
RO Kits	22-20
Sacrificial Anodes	13-4
Safety Covers	20-6 thru 13
Safety Covers- Stocked styles	S-9-10

Safety Equipment	13-5
Safety Turtle	13-5
Salt Chlorine Generators	16-8
Salt Generator Replacement Cells	16-8
Sand	1-2
Sand Filters	18-1,4,5,6,7,11,13
Sealants	13-1
Shaft Seals	22-7
Signs	3-4
Silicone Caulk	13-1
Skimmers	15,1,2,7
Slides	11-3
Slide Parts	21-1
Snorkels	4-1
Solar Blankets	20-1
Solar Fish	19-5
Solar Floats	19-5
Solar Reels	20-2
Solar Heaters	20-1
Solid Covers	20-9,10
Spas	6-ALL
Spa Cover Order Form	6-5
Spa Chemicals	1-ALL
Spa Equipment	6-6,7
Spider Gasket Replacement	18-14
Spray Glue	13-1
Spray Kit (Slide)	21-1
Steel Wall pool Kits	8-1
Steel Panels	8-2
Steel, A/C Troughs	8-4
Steel Accessories	8-3
Steps & Stairs	8-4; 11-1,2
Steps, A/G	12-3
Strap kits	20-2
Switches	21-1
Swim Cap	4-1
System	13-2
Teflon Tape	13-1
Test Kits	2-1
Test Refills	2-1
Test Strips	2-2
Thermometers	3-4
Thermostat	21-1
Throw-lines	13-5
Timers	18-8
Toilets	21-2
Toys	4-1
Unions	15-6
Vacuum Heads	3-1
Vacuum Hoses	3-2
Vacuum, Liners	17-13
Vacuum Plates	3-1
Vacuum Poles	3-4
Valves	15-6
Vent Kits	19-1,2
Vermiculite	13-1
Vinyl Repair Kits	3-5
Volleyball Game	11-3
Wall Fittings	15-5,7
Wall Foam	13-1
Water Monitors	16-5
Water Tubes	20-5
Winterizing Accessories	20-5
Winter plugs	20-5
Winter Covers	20-3 Thru 9
Winter Covers, A/G	20-4
ZeoBrite	1-2
*All Parts Listed In Back	23-ALL

PoolCo USA



Pool Chemicals

Item No.	Description	Case Qty.	Cost Each
<i>Maintain Chlorinating Granules</i>			
4-1502	2 lb.	12	14.00
4-1505	5 lb.	6	34.00
4-1509	9 lb.	4	59.00
4-1516	16 lb.	1	95.00
4-1525	25 lb.	1	148.00
4-1550	50 lb.	1	295.00
<i>Maintain Chlorinating Tablets (1")</i>			
4-0602	2 lb.	12	14.00
4-0605	5 lb.	6	34.00
4-0609	9 lb.	4	59.00
4-0616	16 lb.	1	94.00
4-0625	25 lb.	1	146.00
4-0650	50 lb.	1	290.00
<i>Maintain Chlorinating Tablets (3")</i>			
4-2710	4.375 lb.	6	29.00
4-2716	7 lb.	4	45.00
4-2732	15 lb.	1	81.00
4-2756	24.5 lb.	1	139.00
4-2700	50 lb.	1	275.00
<i>Maintain Chlorinating Sticks</i>			
4-3804	4 lb.	6	26.00
4-3808	8 lb.	4	52.00
4-3822	22 lb.	1	137.00
<i>Maintain Bromine Tablets</i>			
BROM25	25 lb.	1	199.00
BROM50	50 lb.	1	369.00
<i>Maintain Spa Chemicals</i>			
4-2001	1.75 lb. - Spa Bromine Tablets	12	26.00
4-2005	4.5 lb. - Spa Bromine Tablets	8	57.00
4-2070	1 lb. PH Plus	12	3.95
4-2055	Scum Out 1 qt.	12	14.95
<i>Pool Shock</i>			
4-4001	Shock Treatment 1 lb.	24	4.30
4-4005	Shock Treatment 5 lb.	6	20.95
4-4025	Shock Treatment 25lb.	1	86.00
4-3101	Oxy-Plus Shock 1 lb. Bag	12	4.95
LCLD-4	Liquid Chlorine Sanitizer 4 gal. -throw away Skid qty. 48 Price subject to market conditions	4	Call for Quote

PoolCo USA

More Chemicals & Specialty Items

Item No.	Description	Units per Case	Cost per Unit
Algaecides			
4-5810	7.5% Algaecide 1 gal.	4	10.00
4-5830	30% Non-Foam Algaecide 1 qt.	12	13.50
4-5850	60% Algaecide 1 qt.	12	23.95
4-5811	11% Copper Algaecide 1 qt.	12	14.95
Pool Maintenance Chemicals			
4-5001	pH Plus 2 lb.	12	3.95
4-5005	pH Plus 5 lb.	6	7.95
4-5015	pH Plus 15lb.	1	22.00
4-5301	pH Minus 1.5 lb.	12	3.95
4-5307	pH Minus 3 lb.	6	5.95
4-5205	Alkalinity Plus 5 lb.	6	7.95
4-5209	Alkalinity Plus 9 lb.	4	12.95
4-5507	Calcium Plus 7 lb.	4	10.95
4-5101	Stabilizer 1-1/2 lb.	12	6.95
4-5104	Stabilizer 4 lb. (powder form)	6	15.50
4-5405	Flocculants 5 lb.	6	12.95
4-5700	Clarifier 1 qt.	12	8.95
4-5730	Clarifier- Super Concentrate Blue- 1 qt.	12	10.95
4-8000	Metal Control 1 qt.	12	9.95
4-5600	Tile and Vinyl Cleaner 1 qt.	12	7.95
4-7000	Phosphate Remover 1 qt.	12	14.95
ACID	Muriatic Acid 1 gal.	4	7.50
Filter Elements & Accessories			
DE-10	Diatomaceous Earth 10 lb. Bag		12.00
DE-25	Diatomaceous Earth 25 lb. Bag		24.95
DE-50	Diatomaceous Earth 50 lb. Bag (not always stocked)		48.00
EZ-1	E-Z Scoop (Dispensing DE) 1 scoop for every 5 sq. ft.		5.00
20660	Nature 2 spa cartridge		39.00
SAND	Sand(.45mm-.55mm) 50 lb. Plastic bag		13.00
ZB-25	ZeoBrite-25 lb. bag		19.00
ZB-50	ZeoBrite-50 lb. bag		36.00
ZB-2580	ZeoBrite-25 lb. Bag- Pallet Qty (80)		1300.00
ZB-5040	ZeoBrite-50 lb. Bag- Pallet Qty (40)		1200.00
IPS Enzymes			
96006	Pool Maintenance- 1 Liter- 1oz. Treats 2000 gal.	12	18.95
96008	Pool Maintenance- 1 Liter Quadruple Concentrated 1oz treats 8000 gal	12	36.00
96025	Pool Medix- 1 Liter- 1oz. Treats 2000 gal.	12	19.95
96022	Pool Phos- Shock- 1 Liter- 1oz. Treats 2000 gal.	12	21.00
96028	Pool Phos-Shock- 16 oz.- 1oz. Treats 1000 gal.	12	12.00
96007	Pool Winterizer- 1 Liter	12	16.00
96026	Spa Maintenance- 1 Liter- 1oz. Treats 300 gal.	12	30.00
96004	Spa Maintenance- 16 oz.- 1oz. Treats 300 gal.	12	15.00
96020-1	Spa Maintenance- 1.3 oz. Pack- Treats 400 gal.	100	2.50

PoolCo USA



Part #	Description	Case Qty.	Cost
JMPINK032	The Pink Stuff- 32 oz.	12	26.75
JMBLUE032	The Blue Stuff- 32 oz.	12	29.95
JMPURPLE032	The Purple Stuff- 32 oz.	12	29.95
JMBLUEVINYL032	The Vinyl Liner Blue Stuff- 32 oz.	12	19.95
JMION032	The Ionizer Stuff- 32 oz.	12	23.95
JMNATCLEAN032	The Natural Clean Stuff- 32 oz.	12	19.95
JMSUPER032	The Super Stuff- 32 oz.	12	37.50
JMPURIFIBER15	Purifiber- 15 oz.	12	10.00
JMYELLOW/06	The Yellow Stuff 6 oz, packs	100	3.95
JMYELLOW2	The Yellow Stuff- 2 lb.	12	20.95
JMIRON1	The Iron, Cobalt & Spot Etching Stuff- 1 lb.	24	40.25
JMCOPPER05	The Copper & Scale Stuff- 5 lb.	4	40.50
JMALL032	All Fixed Up Stuff- 32 oz.	12	17.50
JMSTEPSTUFF	The Step stuff Kits- 8 oz.	48	39.95
JMSTAINID	Stain ID Kit- 4 oz.	36	11.95
JMEMERALD032	Emerald Stuff- 32 oz.	36	16.50
JMDECK032	Deck Stuff- 32 oz. - While Supplies Last	12	11.50
JMTILE032	Tile Plus Stuff 32 oz.	12	13.25
JMPHOS-STOP	Phos stop plus 32 oz.	24	34.95
JMSURFACE02	Surface Magic- 2 oz.	12	8.75
JMMAGENTA032	The Magenta Stuff	12	29.00
JMJIB	Jack In A Box- Kit	6	59.95

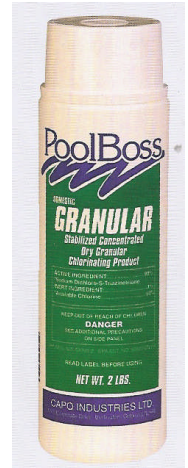
Know Jack. No Stains.™
 Jack's Magic®, the leader in stain identification, removal and prevention.

Become a **Jack's Magic Certified Stain Specialist™**

Products shown include:

- Stain Identification Kit for swimming pool stains
- Stain Identification Kit for swimming pool stains
- Stain Identification Kit for swimming pool stains
- Safe Shock
- Iron, Cobalt & Spot Etching Stuff
- Copper & Scale Stuff
- Emerald Stuff
- Vinyl Liner Blue Stuff
- Step Stuff (Before/After comparison)
- Step Stuff (Liquid)
- Step Stuff (Powder)

PoolCo USA



Mini Tabs- 1"		Price
951104	4.00 lb.	34.00
951108	8.00 lb.	63.00
Super Tabs- 3"		
951310	4.40 lb. (10 tablets)	30.00
951320	8.75 lb. (20 tablets)	60.00
951355	24.00 lb. (55 tablets)	139.00
Super Sticks		
957214	4.40 lb. (8 sticks)	40.00
957215	13.2 lb. (24 sticks)	110.00
957216	26.40 lb. (48 sticks)	N/A
Granular- Stabilized Chlorine		
951002	2 lb.	13.50
951005	5 lb.	36.50
951009	9 lb.	65.00
951025	25 lb.	149.00
Bromine- 1" Tablets		
958415	1.5 lb.	24.95
958413	4 lb.	44.95
958422	12 lb.	N/A
958424	24 lb.	195.00
Metal Controls		
953335	Scale & Stain- 32 oz.	9.95
Spa Chemicals		
959335	Brom Aid- 32 oz.	10.95
959402	Energize- 2 lb.	12.50
959353	Descummer- 16 oz.	10.00
959616	Defoamer- 16 oz.	8.50
959709	Spa-Shock 2 lb.	12.95
959910	Cartridge Cleaner 32 oz.	8.00
959911	Filter Free- 2 lb.	12.95
959365	Whirlpool Rinse 16 oz.	7.95
959735	Brightener 32 oz.	8.00
Water Softener & Salt Controls		
953078	Salt Saver- 10lb.	26.00
957725	Water Softener- Soft Tough Borate- 15lb.	69.00
Eclipse 3 Algaecide --- NEW LOWER PRICE ---		
95732	2 lb. (Ideal for winterizing mesh covers)	25.00
95738	8.8lb. (Ideal for winterizing mesh covers)	76.00
95730	50 lb. (Ideal for winterizing mesh covers)	315.00

PoolCo USA

Testing Supplies

Test Kits		Price
B7228	3-Way OTO, Chlorine, Bromine, & pH Tests	8.00
B7448	5-Way OTO, Chlorine/Brm, pH, Alk, Acid Demand Tests	21.95
B7443	5-Way DPD, Chlorine/Brm, #1 & #3 tabs, pH, Alk and Acid Demand Tests	26.95
B7223	3-Way DPD, Free, Total, Combined Chlorine, Free Bromine pH- #1 & #3 Tablets	10.00
B7773	8-Way DPD, Same as above, with Cyanuric Acid Test, Hardness & Base Demand Tests	34.00
B7525	Cyanuric Acid Test 8oz. with testing tube w/Clear Box	20.00
B7234	4-Way, Chlr, Brm, pH, Alk, 50 Strips	9.00



195010

Ocean Blue Test Kits		Price
195010B	Test Kit	5.50
195020B	5 Way Test kit (pH, Cl, Alk, Acid Demand)	16.50
195020	Refill for 5 way test kit	8.25



Test Refills		Price
B7212C	OTO Solution 1/2 oz. & Phenal Red 1/2 oz. combo	3.00
B7021	OTO Solution 1/2 oz.	1.75
B7022	Phenal Red Solution 1/2 oz.	1.75
B7455	#1, #2, #3, Sol. 1oz., #4, #5 Sol. 1/2oz. Bottles	8.50
B7215	#1 DPD Rapid Dissolve (50 Tablets)	6.00
B7235	#3 DPD Rapid Dissolve (50 Tablets)	6.00
B7041	#1 Solution, Chlorine Test 1oz.	2.00
B7042	#2 Solution, pH Test, Phenol Red 1oz.	2.00
B7043	#3 Solution, Acid Demand & Total Alkalinity 1oz.	2.00
B7044	#4 Solution, Chlorine Nuetralizer 1/2 oz.	1.75
B7045	#5 Solution, Total Alkalinity Tester 1/2 oz.	1.75
B7519	Bulk Cyanuric Acid Test Solution - 1 Quart	10.00

PoolCo USA



Part No.	Description	Price
481335-12	Chlorine Check (3 in 1)	7.95
481341-12	Deluxe Check (4 in 1)	8.95
481339-12	Premium Check (5 in 1)	9.95
481336-12	Bromine Check (3 in 1)	7.95
481348-12	Copper Check (3 in 1)	11.95
481349-12	Phosphate Check	18.95
482341	Salt Check	5.95
481347-12	Total Dissolved Solids Test (TDS)	11.95
487999	18 Minute Bacteria Test	23.95





Step 1:
Dip strip into vial for **20 seconds** with up and down motion, making sure both test pads are in contact with sample.



Step 2:
Remove strip from vial, place sample vial on white spaces between the colors on the chart. Viewing vial from top, match to closest color. Complete matching **within 30 seconds**.



POOL CHECK™ Phosphate

Dip and Read Test

Results in 20 seconds

Detects 0 - 2500 ppb

Part Number: 481349

The three simple components of Pool Check™ Phosphate:

- Sample Vial
- Color Chart
- Test Strips

PoolCo USA

Maintenance & Cleaning Equipment

Special VAC Heads

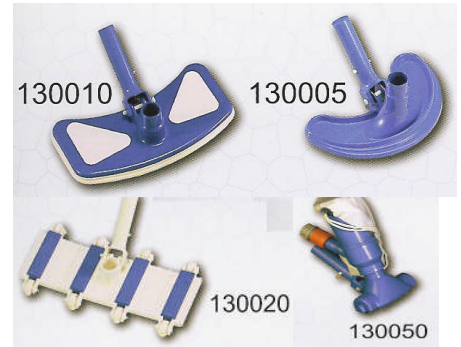
Item Number	Description	List Price
110	Vinyl liner pool vacuum	16.95
120	Concrete pool vacuum	27.00
SP1068	Hayward- Triangular vacuum head	66.00



Part No.	Description	Price
Vacuum heads & Accessories		
B5300.3	Blue Water Brush Vacuum	7.95
B5313.3	Blue Water Brush Vacuum, Weighted, Bulk	13.95
B5472.3	Blue Water Triangle Vacuum	13.75
B5601	See-Thru Triangle Vacuum, Carded	22.95
B5740.3	Blue Water 14" Flex Vacuum	22.00
B2585	Handle With Quick lock	3.50



Part #	Vac Heads	Price
13005B	Standard Vac head	6.00
130010B	Deluxe Vac Head	10.95
130020B	Flexible Vac Head	19.25
130040B	Vac Brush	18.50
130050B	Jet Vac	12.00
130070B	Leaf Eater w/ brushes & wheels	29.50
199008B	Leaf Eater Bags	8.95
130021B	14" Commercial Vac	34.00



	Leafbaggers	Price
B5111	Swivel Wheel Leafbagger with Stabilizer Spring	26.75
B9101	Standard Fiberglass Mesh Bag (15" x 21")	8.95

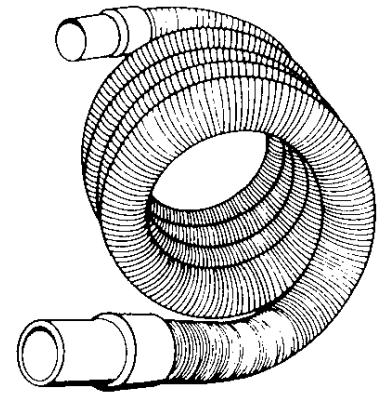
Part#	VAC Plates	Price
SP1094D	Skim vacuum plate for 1094	9.50
SP1106	Skim vacuum plate for 1084	14.50
SP11041	Skin vacuum plate for 1090	14.00
8944	Vac Adaptor- Elbow & Plate	10.00

PoolCo USA

Hoses

Vacuum Hoses

Item Number	Description	Length	Price
Above-Ground			
65428	Forged Loop 1.25" Dia	18	22.00
65429	Forged Loop 1.25" Dia.	21	25.00
65430	Forged Loop 1.25" Dia.	24	28.00
65431	Forged Loop 1.25" Dia	27	31.00
65432	Forged Loop 1.25" Dia.	30	35.00
65433	Forged Loop 1.25" Dia.	36	42.00
In-Ground			
65436	Forged Loop 1.5" Dia.	25	33.00
65437	Forged Loop 1.5" Dia	30	40.00
65438	Forged Loop 1.5" Dia	35	47.00
65439	Forged Loop 1.5" Dia	40	54.00
65440	Forged Loop 1.5" Dia	45	61.00
65441	Forged Loop 1.5" Dia	50	68.00



Backwash Hoses

Price

B8226	1.5" x 25' with clamp- shrink wrap	16.00
B8227	1.5" x 50' with clamp- shrink wrap	22.00
B8201	1.5" x 200'- Boxed	60.00
B8202	2" x 200'- Boxed	80.00

Filter Hoses

Item Number	Size	Price
65503	1.25"/ 3'	10.00
65504	1.25"/ 4'	11.00
65505	1.25"/ 6'	13.00
65509	1.5"/ 3'	12.00
65510	1.5"/ 4'	13.50
65511	1.5"/ 6'	16.00
Heavy Silver Hoses		
HS1253	1.25"/ 3'	5.00
HS1256	1.25"/ 6'	8.00
HS1503	1.5"/ 3'	6.00
HS1506	1.5"/ 6'	10.00
Vinyl Reinforced Hoses		
12BVRH	1.25" Bulk vinyl reinforced hose	3.00/ft.
15BVRH	1.5" Bulk vinyl reinforced hose	4.00/ft.

PoolCo USA

Cleaning Equipment

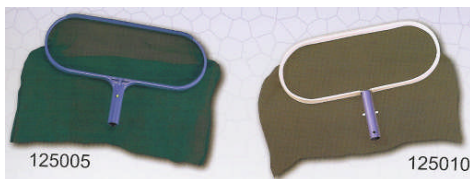


120006



120010

Skimmers & Leaf Nets		Price
120006B	Standard Leaf skimmer w/nylon net and magnet	4.50
120010B	Aluminum Leaf Skimmer	12.00
120015B	Aluminum Leaf Skimmer w/plastic handles	13.00
120050B	Leaf Skimmer w/48"pole	8.50
125005B	Standard Deep Bag leaf rake w/nylon net	6.00
125010B	Aluminum Deep Bag leaf rake	12.00
125015B	Aluminum Deep Bag Leaf rake w/plastic handles	15.00
125020B	Heavy Duty Deep bag leaf Rake w/long wear mesh screen	14.00



125005



125010



125020

125015



Skimmers & Leaf Rakes ---- Blue Devil		
B4115	Pro Skimmer, Deep net, Aluminum Frame	14.75
B4118	Pro Rake, Aluminum Frame	17.95
B4119	Pro Rake, Deluxe, Aluminum Rod, Fiberglass Net	23.95



110010



110025

110005

Brushes		
Item No.	Description	Price
11005B	18" Curved Wall Brush	5.50
110010B	18" Curved Wall Brush w/ aluminum back	10.00
110015	10" Straight Algea Brush	13.00
110025B	20" Oversized Wall Brush	13.00
110030B	20" Flexible Brush	19.50



Wall Brushes		Price
B3318	18" Brush	5.50
B3518	18" Brush, Deluxe with metal back	10.00



Leaf Skimmers & Rakes ---- Baleco		Price
300	Promotional leaf skimmer w/pole	8.50
330	Standard leaf skimmer	7.00
340	Metal back leaf skimmer	12.50
350	Deluxe metal back leaf rake	16.00
410	18" curved wall brush	12.00

PoolCo USA

Poles & Accessories

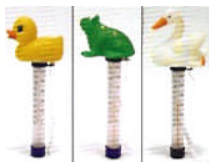


B4246	2 Section inner lock, 8'-16' w/ hand grip Std. Pole	24.50
11096SS	6'-12' Silver Telescopic Pole	19.50
B8020	2 Hook Hanger	5.00
B8040	Rescue Hook	22.00



Thermometers

Thermometers		
150005	Small Scoop Thermometers	4.50
150010B	Jumbo Thermometer	6.00
150015B	Deluxe Round Thermometer	8.00
150050	Floating Animal Thermometer	7.00
150070B	Dial Thermometer	12.00
150020B	Floating Thermometer	8.00



Thermometers		
B8190	Large 10" Thermometer with water scoop	4.00
B8100	5" Full View, All Plastic	3.50
B8104	8" Jumbo, Aqua	6.00
B8130	6" Chrome/ Brass Deluxe	10.00
B8170	Animal Tops	7.00

Pool Signs



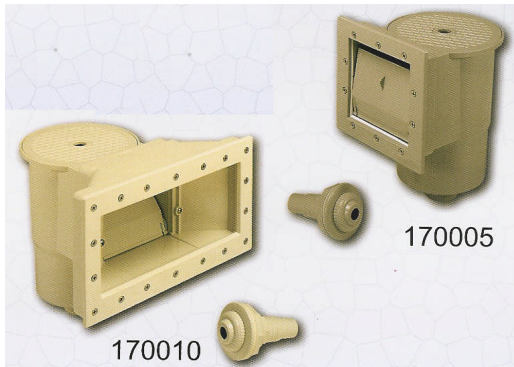
Pool Signs		
B8701	No Lifeguard on Duty, 24"x 18"	12.00
B8703	Our Pool Rules, 18"x 24"	12.00
B8712	Pool Rules (California), 18"x 24"	13.00
B8766	Pool Capacity, 24"x 18"	12.00



PoolCo USA

Chemical Dispensers

160005 B8050	Small Floating Chemical Dispenser	4.50
160010	Large Floating Chemical Dispenser	7.75
165005	Inline Chemical Feeder for A/G Pools	39.00



Fittings & Plastic Goods

175005	Plug w/ o-ring 1.5" MIP	2.00
175012	Hydro stream Fitting 1/2"	2.50
175013	Hydro stream Fitting 3/4"	2.50
175014	Hydro stream Fitting 1"	2.50
175050	PVC Valve	12.50
170005	STD Wall Skimmer w/ fittings	48.00
170010	Wide-mouth Skimmer w/ fittings	64.00

Baskets

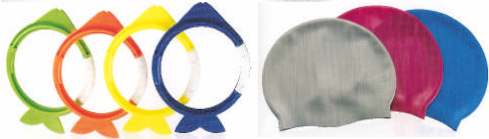
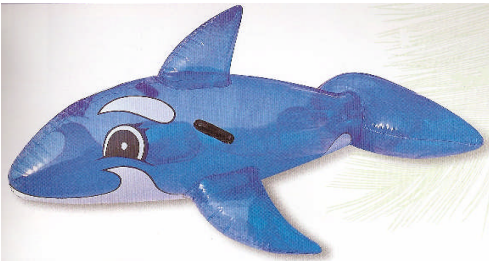
190005	Hayward Super Pump replacement Basket	8.00
190010	Hayward Skimmer Replacement Basket	5.50
190020	Sta-Rite Pump Replacement Basket	5.00
199112B	Skimmer Baskets	6.00

Other Supplies

197015	Vinyl Repair Kit 1 oz.	4.00
197020	Vinyl Repair Kit 2 oz.	7.00
199002	Quick Snap Clips	1.00
8910	Handle, Clip, & Pin Set	3.00
199103B	Wide mouth face Plates	12.00
199105B	Double Layer Standard Gaskets	9.00
199113B	Skimmer Weir	6.00
199114B	Double Layer wide-mouth Gasket	11.00
199104B	Skimmer Face Plate Standard	8.00

PoolCo USA

Toys & Accessories



	Product No.	Description	Price
Inflatables			
	31022	24" Beach Ball	1.95
	34036	Sea Set Children's Raft	10.95
	36001	Animal Swim Ring	3.95
	41010	Crocodile Rider 66" – 3+	9.95
	41011	Crocodile Rider 80" – 6+	15.95
	41032	Great White Shark Rider	10.95
	41036	Transparent Whale Rider 52" – 3+	10.95
	41037	Transparent Whale Rider 63" – 6+	12.95
	41041	Lazy Turtle Rider	19.95
	44002	Beach-Camouflage Air Mat	6.95
	44007	Matte Finish Air Mat	4.95
Toys & Games			
Goggles			
	26009	Dive Fish	7.95
	21019	Hydro-Pro Competition Goggles	10.95
	21029	Sprint-Tech Goggles (Mirrored Lens)	21.95
	22008	Dual Pro Dive Mask – 12+ Years	14.95
	22018	XR-20 Dive Mask	23.95
	22025	Seascape Dive Mask – 7+ Years	8.95
Masks & Snorkels			
	24005	Silicone Mask & Snorkel Combo	28.95
	24014	Aero-Form Dive Mask & Snorkel – 12+	23.95
	25008	4-Piece Play Pro Snorkel Set – 3+	18.95
	25009	4-Piece Aviator Style Dive Set – 7+	20.95
	25010	Dive Pro Snorkel Set – 12+	27.95
Accessories			
	26000	Nose Clip	1.00
	26002	Swim Set	6.95
	26003	Ear Plugs	1.00
	26006	Hydro-Pro Swim Cap – H.D. Silicone	5.95
	32047	Upper Arm Swim Help – 1-6 Years	4.95
Boats & Equipment			
	61074	55" RX-1000 Raft	15.95
	61095	92" RX-4000 Raft Set	66.00
Air Pumps			
	62023	9" Air Step™ – Air Pump	10.95



PoolCo USA



BugBand® Insect Repellent

Item	Product No.	Price
Olive Green Wristband	88200	5.95
Glow-In-The-Dark Wristband	88201	5.95
Pink Wristband	88202	5.95
Red Wristband	88203	5.95
Yellow Wristband	88204	5.95
Light Green Wristband	88205	5.95
Blue Wristband	88207	5.95
6 oz. Pump Spray	88336	9.95
15-Count Towelettes	88918	8.95



WHAT IS GERANIOL?

Savvy folks have been planting geraniums in their window boxes for centuries, using the natural properties of the flowers to repel bugs. Today, the hard data exists that proves that the use of geraniums is more than a tradition passed down from generation to generation. Geraniol, a powerful ingredient extracted from geranium oil through a unique refining process, does indeed provide a natural – and extremely effective – insect repellent.

According to laboratory and field studies by the University of Florida in Gainesville, Geraniol, the active ingredient in BugBand insect repellent, has been proven effective in repelling a wide variety of insects, including mosquitoes, house flies, stable flies, horn flies, cockroaches, fire ants, fleas, gnats, dog ticks, lone star ticks, and no-see-ums.

The University of Florida developed and tested alternatives to synthetic pesticides over a 17-year period. As part of the testing process, which was headed by Dr. Jerry Butler in the Department of Entomology and Nematology, university researchers created and patented a device called an olefantometer, which duplicates human skin and gaseous conditions that attract biting and annoying insects.

Previous to the University's work, there was no hard data or scientific studies to document what effect, if any, geranium oil had on any specific type of insect. The team tested and retested more than 4,000 compounds, and Geraniol emerged as an effective means of repelling insects.

TOWELETTES

The BugBand towelette is a very handy, easy-to-use method of applying Geraniol insect repellent. The towelettes travel anywhere, are lightweight and take up very little space. Safe and effective, the towelettes allow for exact application of Geraniol lotion on exposed skin. They're ideal for using around your face or neck without over-applying. The towelettes can be folded and stored in the foil container for future use.

Towelettes repel mosquitoes, flies, gnats, no-see-ums and ticks!

WRISTBANDS

A good choice for recreational and lighter-duty applications, the BugBand wristband comes in multiple colors, including dark green, light green, blue, yellow, red, pink, and glow-in-the-dark. The vapors from the plastic BugBand wristband form a protective shield around the immediate area, keeping insects a safe distance away. While many repellents are easily diluted or rinsed off with swimming or perspiration, the wristband just keeps working, up to 120 hours. It's packaged in an innovative reusable plastic "pod" to store the wristband and it can be sealed between uses to preserve the active life of the product.

The plastic wristband is designed with a patented break-away strap that snaps if it becomes entangled. It can also be worn on belt loops, hatbands, pet collars, fastened in tents, attached to baby carriages or applied to other areas where insects could be a problem.

PUMP SPRAY LOTION

Perfect for when you need more heavy-duty protection, BugBand spray lotion does not contain any propellants, but relies on a highly effective metered pump sprayer to dispense a fine mist over the area to be treated. By spraying the BugBand liquid directly on clothing or skin, the Geraniol vapors form a protective barrier to deter blood-sucking insects from biting. It is ideal for uses around the ankles, wrist or neck, where insects tend to invade clothing. Use once for hours of insect protection.

PoolCo USA

Automatic Pool Cleaners

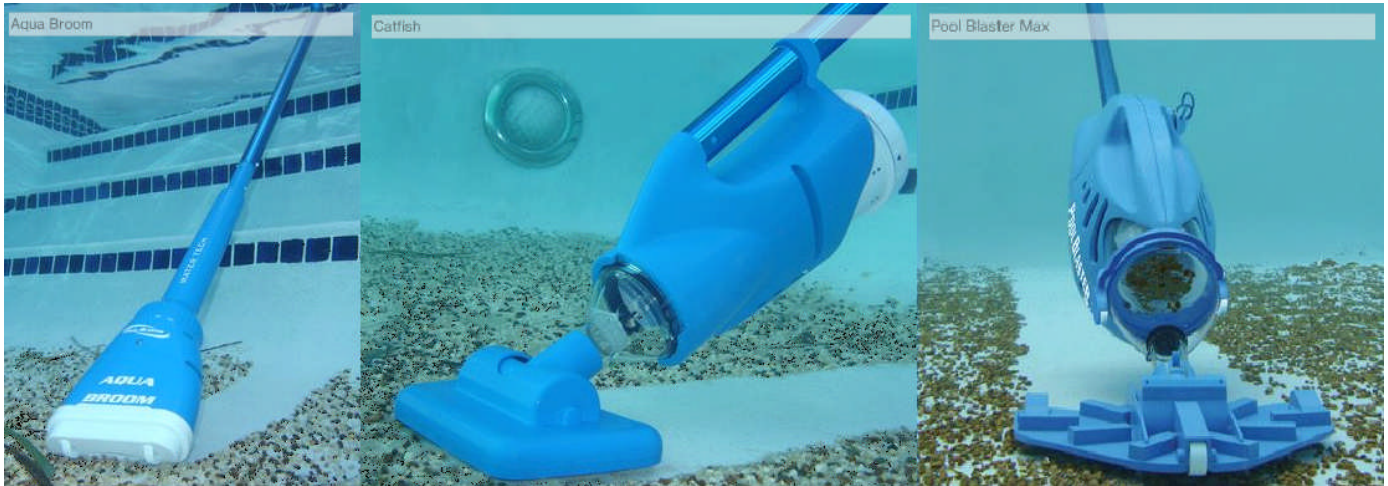
Product	Description	Price
Aquabots - <i>**While Supplies Last**</i>		
ABT1	Aquabot Turbo- soft grabber tracks for enhancing climbing ability.	1,750.00
ABT2	Aquabot Turbo T2- 1 Hour cleaner, split turning wheel	2,140.00
ABT4	Aquabot Turbo T4- 1 Hour cleaner, split turning wheel, w/ remote control	2,555.00
ABPR	Aquabot Pool Rover- above ground model	600.00
Polaris		
F9300	9300 Sport - Robotic Pool Cleaner w/Caddy and 60 ft. Cord	2,050.00
P380	3 wheel design, w/large bottom suction hole & quick release mesh bag.	1,295.00
P360	3 wheel design, w/large bottom suction hole & quick release mesh bag.	950.00
P280	3 wheel design, w/large bottom suction hole & quick release mesh bag.	810.00
P180	3 wheel design, w/large bottom suction hole & quick release mesh bag.	770.00
P165	Jet sweep assembly & unique filter bag for In Ground pools	450.00
PTT	Attractive floating turtle design w/jet sweep assembly & unique filter bag for A/G	358.00
P65	Jet sweep assembly & unique filter bag for Above Ground pools.	340.00
PB460	Booster Pump for 180,280, and 380 models.	450.00
PB460Q	Halcyon Super Quiet Booster Pump – to be used on above models in place of PB-460	570.00
Hayward		
RC9950	TigerShark Robotic Cleaner w/55' Cord	1,595.00
6000B	Phantom Pressure Cleaner with sweep hoses – Available also in black	1,360.00
5500TC	Viiro Turbo Pressure Cleaner with sweep hoses – Available also in black	798.00
H72713	Viper Turbo Pressure Cleaner with sweep hoses (while supplies last)	740.00
5060	¾ Hp. Booster pump for all models – can be used for <i>Polaris</i> also	480.00



PoolCo USA

WATER TECH

"The pool invention people"



Item #	Description	Price
Broom	Pool Blaster Pool Broom	78.00
CatfishPPV	Pool Blaster Catfish	175.00
Poolbuster	Pool Buster Max	330.00
Poolbuster CG	Pool Buster Max CG	480.00
PEARL	Blue Pearl	1,495.00
BLD03	Blue Diamond	2,100.00
BLD03RC	Blue Diamond w/Remote & Caddy	2,895.00
BLDPRO	Blue Diamond Pro- Commercial Cleaner	5,200.00



PoolCo USA



Viking Series



- Viking I - 72" x 32"**
Vikashield™ Cabinet
- Std. Lighting
 - 9-Black Jets
 - 1.5 HP Pump
 - 110/220v Combo
 - 4"x2" Hard Cover
- Quick Ship Colors:
 •Gray
 Item# 1110



- Viking II - 72" x 35"**
Vikashield™ Cabinet
- Std. Lighting
 - 16-Black Jets
 - Whirlpool Jet
 - 2 HP Pump
 - 110v/220v Combo
 - 4"x2" Hard Cover
- Quick Ship Colors:
 •Gray
 Item# 1210

Viking Series			
Item #	Description	Dimensions	Price
1110	Viking I Hot tub	6' Diameter x 32" Height w/ hard cover	3500.00
1120	Viking II Hot tub	6' Diameter x 35" Height w/ hard cover	4200.00
	Ozonator	Optional for above models	150.00

PoolCo USA



Supreme Series



- Supreme - 78" Sq. x 35"**
Vikashield™ Cabinet
- Std. Lighting
 - 25 Jets
 - 4 HP Executive Series Pump
 - 220v
 - 4"x2" Hard Cover
- Quick Ship Color:**
- Black Frost
- Also Available in:**
- Opal
 - White pearl
 - Iridescent Blue
- Item# 1550



- Royale - 78" Sq. x 35"**
Vikashield™ Cabinet
- LED Lighting
 - Lighted Waterfall
 - 31 Jets
 - 5 HP Executive Series Pump
 - Ozonator
 - 4"x2" Hard Cover
- Quick Ship Colors:**
- Black Frost
- Also Available in:**
- Opal
 - White pearl
 - Iridescent Blue
- Item# 1570

Supreme Series

Item	Description	Dimensions	Price
1460	Eclipse Hot tub	78" Square x 35" Height- 2HP motor, 110V/220V w/18 jets	4,990.00
1550	Supreme Hot tub	78" Square x 35" Height	5,390.00
1570	Royale Hot tub	78" Square x 35" Height	5,990.00
	Ozonator	Optional for above models except for Royale	150.00

PoolCo USA

*Destiny River
Spas*

Heritage Series



Heritage I - 92" square x 38" deep

- Standard Lighting
- 46-Stainless Steel Jets
- (2) 5 HP Executive Series Pumps
- 240v
- Ozonator

Quick Ship Colors:

- Opal
- Platinum
- Iridescent Blue



Heritage II - 92" square x 38" deep

- LED Lighting
- LED Cascading Waterfall
- 61-Stainless Steel Jets
- (2) 6 HP Executive Series Pump
- 240v
- Ozonator
- Master Stereo by JBL

Quick Ship Colors:

- Opal
- Platinum
- Iridescent Blue

Heritage Series

Description	Dimensions	Retail Price
Heritage I Hot tub	92" Square x 38" Height w/ hard cover	8,900.00
Heritage II Hot tub	92" Square x 38" Height w/ hard cover	10,300.00

PoolCo USA

Legacy Series

*Destiny River
Spas*



Legacy I – 86”square x 38” deep

- 30 Jets with Storm Jet Technology, (2) 4 HP 56-Frame Waterway Pump motors, 240 V
- Balboa VS 502 Power System & Toppide Controls. Programmable for 2, 4, 6, 8 or 12 hour filtration ozonation cycles.
- Coastal Gray Vikashield cabinets
- L.E.D. Lighting, Stainless Steel Jet Accents, Waterfall, Ozonator, Lighted Waterfall & Hard Cover.

Quick Ship Colors:

- Platinum
- Iridescent Blue
- Opal



Legacy II – 86” square x 38” deep

- 46 Jets with Storm Jet Technology, (2) 5 HP 56-Frame Waterway Pump motors, 240 V
- Balboa VS 502 Power System & Toppide Controls. Programmable for 2, 4, 6, 8 or 12 hour filtration ozonation cycles.
- L.E.D. Lighting, Stainless Steel Jet Accents, Waterfall, Ozonator, Lighted Waterfall, Hard Cover & JBL Audio Marine System with remote control, CD Player, MP3, Sirius Satellite Radio ready, Polypropylene Speakers

Quick Ship Colors:

- Platinum
- Iridescent Blue
- Opal

Legacy Series

Item #	Description	Dimensions	Retail Price
1665	Legacy I Hot tub	86” Square x 38” Height	\$8,350.00
1670	Legacy II Hot tub	86” Square x 38” Height	\$9,800.00

PoolCo USA

Spa Cover Order Form

Company Name: _____ Date: _____
 Address: _____
 City: _____ State: _____ Postal Code: _____
 Contact: _____ Phone: _____ Fax: _____
 Email Address: _____ Signature: _____

This completed form must accompany all cover orders before order can be placed.

Special Cover Prices

Includes freight to us - can not ship UPS

1 Std Cover up to 96"
LIST Price: 510.00
 2 Covers Each **460.00**
 3 Covers Each **410.00**
 Premier – add **+50.00**
 Volume Price may be combined with other dealer orders - just so they all ship together.

Custom Items: Extra

****Please circle the 3 appropriate categories below****

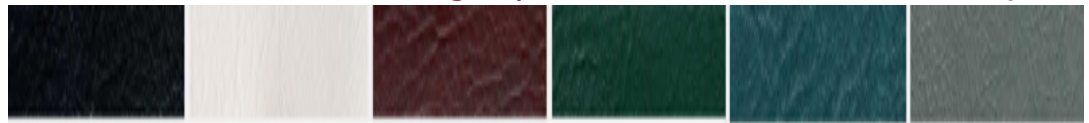
Model: (Standard 4" x 2" Taper) (Premier 5 x 3" taper) (MAXTOP – FRP sheet)

Skirt: 0" 1" 2" 3" 4" 5" 6" or (over 6" – Upcharge)

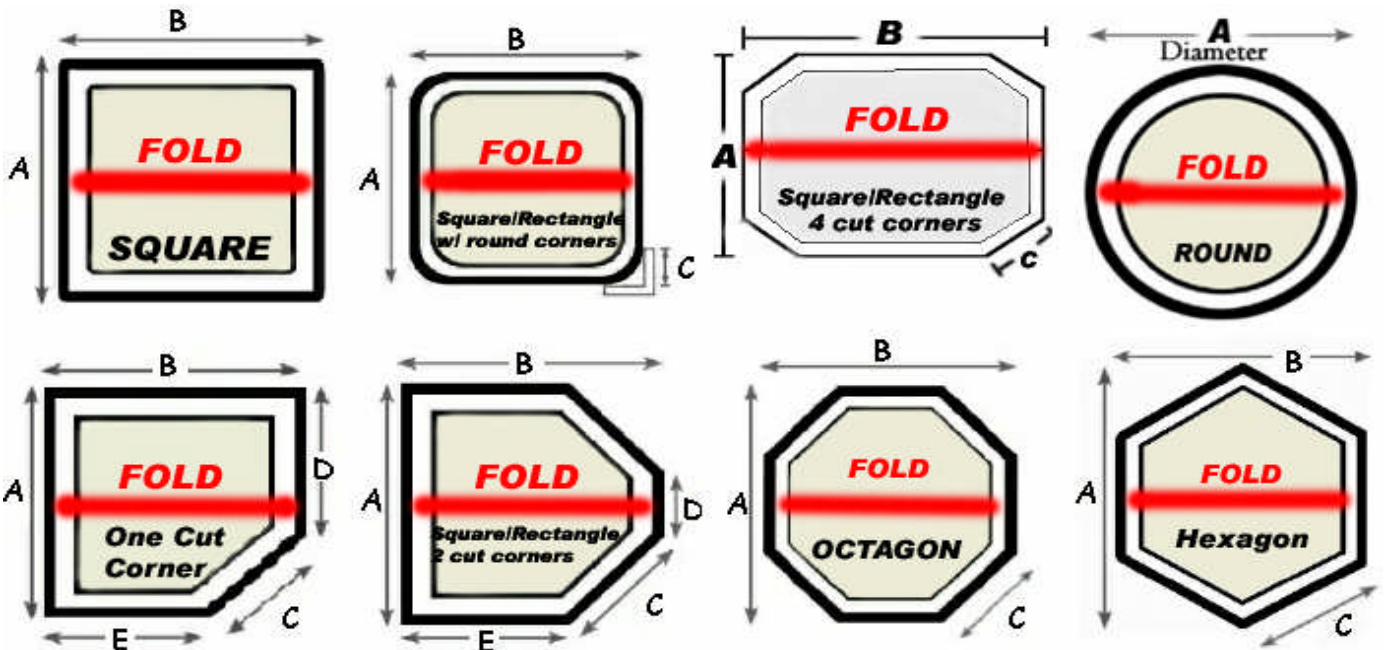
Colors: **Brown** **Tan** **Almond** **Navy** **Blue** **Charcoal**



Black **White** **Burgandy** **Green** **Teal** **Gray**



Circle cover style and write dimensions below in INCHES only.



Enter Dimensions: A _____ B _____ C _____ D _____ E _____

PoolCo USA

Hydro-Quip™ Spa Equipment



HYDROQUIP™

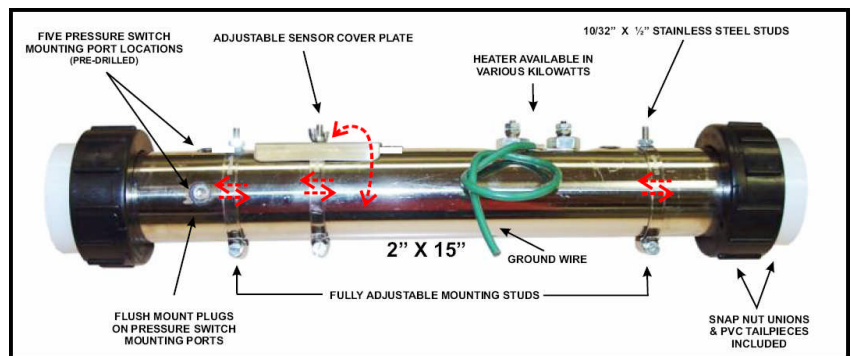
HeatMax RHS Series Heaters

Description	Voltage	Wattage	Price
Heatmax RHS 11	240	11	

UNIVERSAL RITE-FIT HEATER ASSEMBLY

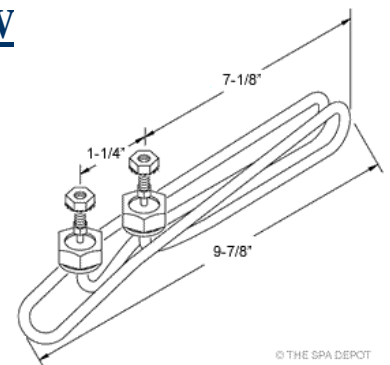
Hydro-Quip introduces our new universal *RITE FIT* heater assembly. This innovative design allows you to use the *RITE FIT* heater to replace many on the market today. Save on inventory and save space, no need to carry so many different models when you only need one, the *RITE FIT* universal heater!

From the ease of installation to the efficiency of our products, your customers will be glad you made the "Smart Choice" and chose equipment manufactured by Hydro-Quip, the industries oldest and most trusted supplier.



Model	Wattage (kW)	Size	Length	Price
48-1540-RS	4.0	2"	15"	
48-1545-RS	4.5	2"	15"	
48-1555-RS	5.5	2"	15"	
Universal Heating Element	5.5	n/a	10"	25.00

Universal Flow Thru Element 5.5kW



****See Hydro-Quip Catalog for other available items****

PoolCo USA

Above Ground Pool Kits



20 Year Limited Warranty
First 2 seasons no charge for parts

Quest/Quantum/Yorkshire/Zenith - 52" Models					
Liner- Overlap plain blue only- additional charge for patterns					
Beaded Liner option- additional charge (see catalog)					
Round			Oval		
Size	Complete Pool Kit	Pool Only*	Size	Complete Pool Kit	Pool Only*
15	2,290.00	1,520.00	12 x 24	3,470.00	2,420.00
18	2,490.00	1,910.00	15 x 30	3,840.00	2,890.00
21	2,930.00	2,090.00	18 x 33	4,100.00	3,100.00
24	3,090.00	2,320.00			
27	3,380.00	2,470.00			
30	3,675.00	2,790.00			

May also come in other designs.



SPECIFICATIONS

- Wall:** Blue Lagoon steel wall
- Covers:** Molded top and bottom covers
- Ledges:** 6" roll-formed steel - White color
- Verticals:** 6" roll-formed steel - White color
- Rails:** 5/8" steel universal top and bottom rails
- Plates:** Steel universal top and bottom plates
- Hardware:** Zinc Dichromate

Above Ground Pool Specifications								
Size	15'	18'	21'	24'	27'	12' x 24'	15' x 30'	18' x 33'
Gallons in 48"	5,300	7,600	9,400	13,600	18,500	8,600	13,500	17,800
Gallons in 52"	5,700	8,200	10,000	14,500	20,000	9,350	14,800	18,900

PoolCo USA

Above Ground Pool Kits



XL 7000 - 52" Model

Liner - Overlap plain blue or print bottom is standard
 Beaded Liner option - additional charge (see catalog)

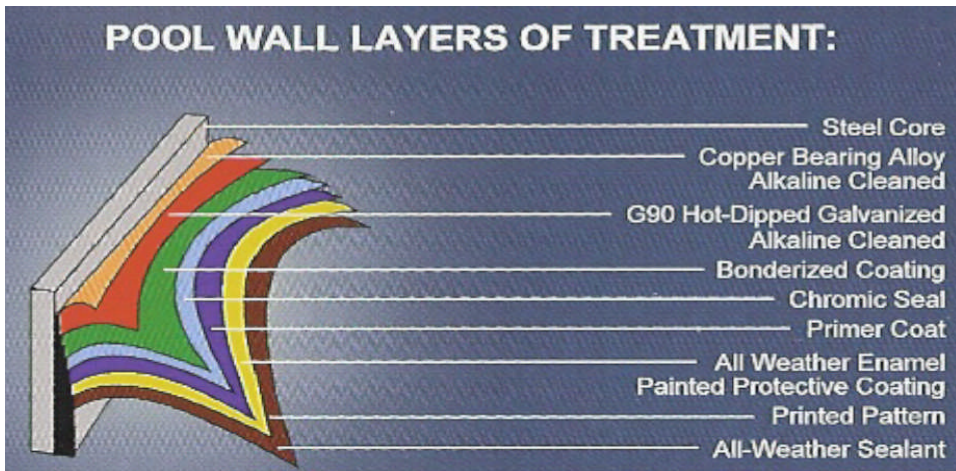
Round			Oval		
Size	Complete Pool Kit	Pool Only*	Size	Complete Pool Kit	Pool Only*
15	2,400.00	1,590.00	15 x 30	4,020.00	3,020.00
18	2,620.00	1,990.00	18 x 33	4,290.00	3,250.00
21	3,070.00	2,190.00			
24	3,240.00	2,420.00			
27	3,540.00	2,590.00			
30	3,890.00	2,890.00			
33	4,240.00	3,220.00			

20 Year Limited Warranty
 First 2 seasons no charge for parts



The uniquely captivating pattern on the exterior of the XL7000 will be sure to catch the eyes of anyone who notices it. Bold and decorous, this pool would be suitable in the backyard of any modern home. It features 8 different layers of wall treatment to help keep your pool in good condition. The XL7000 pool is certified with the Rust-Oleum "Seal of Approval" for its superior metal protection.

POOL WALL LAYERS OF TREATMENT:



PoolCo USA

Above Ground Pool Kits



Yorkshire/Princeton- 48"					
Liner- Overlap plain blue only- additional charge for patterns					
Round			Oval		
Size	Complete Pool Kit	Pool Only*	Size	Complete Pool Kit	Pool Only*
15	2,090.00	1,320.00	15 x 30	3,520.00	2,580.00
18	2,300.00	1,690.00			
21	2,680.00	1,840.00			
24	2,830.00	2,050.00			
27	3,100.00	2,210.00			

Pool Only includes 1&2

Complete pool Kit include:

1. Wall, rails, verticals, & bolts, Overlap Liner
2. Skimmer & wall fittings
3. Hoses connectors, pump & sand filter (deluxe, heavy duty) & filter sand.
4. Deck mount Ladder with anchors
5. Cleaning & maintenance Kit- vacuum hose, vacuum head, vacuum pole, skimmer, test kit, thermometer,
6. Start-up chemical package

* 15' & 18' Pools have a 17" 150lb. Filter with 3/4 HP Pump. All other Pools have a 19" 200lb. Filter with 1HP Pump.



Plank or Blue Lagoon wall patterns



Specifications	
Wall:	Plank pattern steel wall
Covers:	Molded top and bottom covers
Ledges:	6" roll-formed steel - White color
Verticals:	6" roll-formed steel - White color
Rails:	5/8" steel universal top and bottom rails
Plates:	Steel universal top and bottom plates
Hardware:	Zinc Dichromate

20 Year Limited Warranty
 First 2 seasons no charge for parts