

PoolCo USA

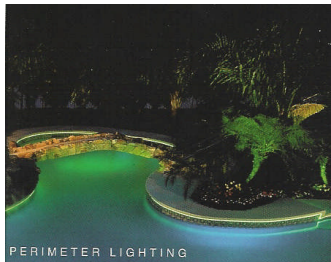
Fiber-Optic & LED Lighting

Replacement In-Ground LED Spa Lamps

Model No.	Description	Price
IGP231-120	120V Galaxy 231 LED Pool Lamp (fits most housings)	684.00
AGS24N	12V Galaxy 24-LED Spa Lamp, Non-synchronous *Good for snap-in spa replacements	154.00
PH231-120-15	120V I/G LED Light Fixture w/ 15' cord	1,058.00



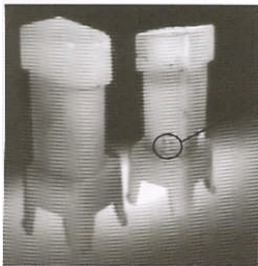
Side-Glow Perimeter Fiber optic Cable



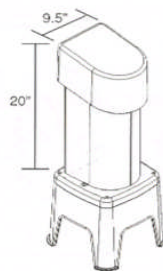
Model No.	Description	Feet	Price
SV32150	32 Strand Cable	150	712.00
SV32200	32 Strand Cable	200	939.00
SV23150	23 Strand Cable- Double lip fits Cardinal CL	150	399.00
SV23200	23 Strand Cable- Double lip fits Cardinal CL	200	464.00

Metal Halide Illuminator

Model No.	Description	Price
SV150T6	Standard Unit- 6-Color : Moonlight white, hot pink, tangerine dream, lime green, ocean deep blue, indigo blue.	992.00
SV150T6C	in Synchronous Units(for use with multi-illuminator system) 6-Color : Moonlight white, hot pink, tangerine dream, lime green, ocean deep blue, indigo blue.	1,274.00
17.0609	Synchronization Component- Data Cable (3 wire per foot)	1.86
SVRFCK	Wireless Remote Control Kit-	248.00
SVFH756KIT	Optional Upgrade Kit- Kit increases light source capacity to 756 strand	51.00



NEW!
External Control for Color Wheel Tempo
There is now a dial on the outside of the light source that easily allows the builder or homeowner to increase or decrease the amount of time spent on each color.
Screwdriver included.



SV150T Tower Illuminator
150 Watt Metal Halide lamp,
10,000 hour average lamp life,
550 strand fiber capacity
(upgradable to 756),
white light or 6-color,
mounting base included.
5 year limited warranty.

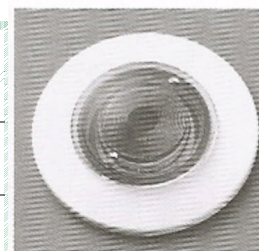
REMOTE CONTROL



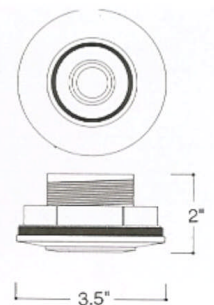
Remote Kit
Part No.: SVRFCK*
Description: remote control for SV150T
- order separately

End-Glow Cable & Underwater Lens

Model No.	Description	Price
SV300EGW18	Cable- 300 Strand, 18 ft. length	645.00
SVV1	Underwater Lens- Polycarbonate lens, Vinyl Pool White lens assy.	45.00
SV30015KV	300 Strand with Polycarbonate, 15 ft. length for Vinyl pools, completely assembled with wall fittings	626.00



Original Polycarbonate Lens



PoolCo USA

Hayward Pool Lighting

For New Construction ColorLogic 4.0 lighting incorporates innovation and technology as the leading underwater light. It provides brighter, more vivid colors and light shows that are energy efficient, with feature rich options for pools and spas.

- 50% brighter than ColorLogic 2.5
- Speed, Motion and Brightness control for light shows
- Operates stand alone or with Pro Logic
- 7 light shows and 5 fixed colors along with synchronized lighting
- 5 fixed colors can be customized to 101 different colors
- Speed, Motion & Brightness Control of Light shows



ColorLogic® 4.0

Hayward ColorLogic® 4.0

Model Number	Voltage	Cord Length	Price
SP0527LED30 Plastic Rim	120 Volt	30 foot	1,100.00
SP0527LED50 Plastic Rim	120 Volt	50 foot	1,125.00
SP0527LED100 Plastic Rim	120 Volt	100 foot	1,160.00
SP0527SLED30 SS Rim	120 Volt	30 foot	1,110.00
SP0527SLED50 SS Rim	120 Volt	50 foot	1,140.00
SP0527SLED100 SS Rim	120 Volt	100 foot	1,178.00

Hayward DuraNiche™

Model No.	Pool Type	Conduit Size	Price
SP0600U	Concrete	1" or 3/4"	98.00
SP0607U	Vinyl/Fiberglass	1" or 3/4"	198.00



DuraNiche™

DuraNiche niches are injection-molded of PVC for superior performance, non-corrosive durability and plumbing versatility - plus the lowest installed cost. They come in three models for concrete/gunite pools, vinyl/fiberglass pools, or for concrete/gunite spas. When paired with a Hayward® ColorLogic®, AstroLite or AstroLite II light fixture, you have the best quality and value in a lighting system available anywhere.

- Injection molded PVC fixture housing for corrosion free performance
- Socket conduit connection designed for quick and simple gluing to PVC pipe. Provides a clean, reliable seal
- U.L. approved sweep elbow fitting, coupling and reducer, included in SP0600U, SP0607U, SP0608U and SP0601U, meet the highest standard and provide the most convenient installation
- All SP0600U, SP0607U and SP0608U niches have a 45 degree 1in outlet, which can be adjusted for top or rear conduit connection using the 45 degree U.L. approved sweep elbow (included). The SP0601U niche has a 1in rear outlet which can be adjusted to 45 degrees

PoolCo USA

Pool Lights



Lights

78863200	Aqua-Lumin II-250W, 120V, 50' cord, S/S face ring	480.00
784511	Amerlite- 500W, 120V, 15'cord	330.00
784541	Amerlite- 500W, 120V, 30'cord	360.00
784581	Amerlite- 500W, 120V, 50'cord	390.00
784563	Amerlite- 500W, 120V, 100' cord	455.00
784411	Amerlite- 400W, 120V, 15'cord	330.00
784441	Amerlite- 400W, 120V, 30'cord	355.00
784481	Amerlite- 400W, 120V, 50'cord	380.00
600015	Spectrum Amerlite (SAM)- Halogen light for full size niche 120V, 30' cord, with color wheel	1,180.00
600016	Spectrum Amerlite (SAM)- Halogen light for full size niche 120V, 50' cord, with color wheel	1,200.00



Vinyl Niches

78887700	Vinyl fixture for Aqua-Lumin light 3/4" hub	99.00
78232400	Amerlite- vinyl niche standard 10 hole 3/4" hub	225.00
620004	Pentair Niche- Plastic quick niche-vinyl	180.00
25549-002	Vinyl Liner Sealing ring- Chrome Plated Brass for Pentair pool light niche	88.00



Concrete Niches ↓ Inventory ↓ Reduction

78210400	Fixture Housing 3/4" Rear hole --Special Closeout--	75.00
78210500	Fixture Housing 1" Side Hole – For Concrete Inst.	125.00
78210600	Fixture Housing 1" Rear Hole – For Concrete Inst.	125.00

Junction Box

78310600	Junction Box- with polycarbonate cover & brass base, 3 x 3/4" NPT Brass Threads	36.00
78310700	Junction Box- with polycarbonate cover & brass base, 3 x 1" NPT Brass Threads	36.00



PoolCo USA

Pool & Spa Light Bulbs



Item #	Description	Price
BPQ100/CL/MC/SPA	100W Halogen Mini Can Clear 120V Carded	9.25
BPQ250/CL/MC/SPA	250W Halogen Mini Can Clear 120V Carded	9.25
BPQ100/CL/DC/SPA	100W Halogen DC Bayonet CLR 120V Carded	9.25
BPQ250/CL/DC/SPA	250W Halogen DC Bayonet CLR 120V Carded	9.25
BPQ250T3/CL/SS-130	250W Halogen T-3 3.26" RSC CLR 130V Carded	10.00
BPQ300T3/CL	300W Halogen T-3 4.69" RSC CLR 120V Carded	6.00
BPQ500T3/CL	500W Halogen T-3 4.69" RSC CLR 120V Carded	9.00
Q150T3C/12V	150W Halogen T-3 12V Light Bulb	12.00
BPQ50T4	50W Halogen G4 6.35 Base 12V	4.00
BPQ100T4	100W Halogen G4 6.35 Base 12V	4.00
BPEYC	75W Halogen MR-16 Flood 12V Carded (SAm Light)	12.00
BPELCSPA	250W Halogen MR-16 Flood 24V Carded (F/O)	45.00
400G30/FL	400W G-30 Flood 125V	19.00
100R20/S-12	100W Flood 12V	9.50
100BR30/FL-12	100W Flood 12V	9.50
100R20/S	100W R-20 Short Spa Flood 120V Boxed	10.00
300R/FL-12	300W R-40 6.38" MOL(5.0" Diam.) Flood 12V Boxed	28.00
300R/FL-130	300W R-40 6.56" MOL(5.0" Diam.) Flood 130V Boxed	19.00
400R/FL	400W R-40 6.75" MOL(5.0" Diam.) Flood 120V Boxed	19.00
500R/FL-130	500W R-40 6.75" MOL(5.0" Diam.) Flood 130V Boxed	19.00
346000011	Sunlite #7116- 120V/250W, 6800 Series light (70514), screw-in (New Style)	30.00
SP502Z1	Sealed Beam- 12V/300W Par-56 screw terminal	35.00
LPL-2030-110-2	Color Splash 2G Regular LED In-ground Pool Light	390.00
LPL-P1-RGB-120	Color Splash 3G Very High Output LED Pool Light	560.00
LPL-2030-12-2	Color Splash 2G low voltage In-ground LED Pool Light	390.00

Other lighting systems please call for quotation.





Cross-Reference Guide

Photo	Pentair Item #	Hayward Item #	Sta-Rite Item #	Purex Item #	Feit Electric Item #	Order Qty
2	79102900		34600-0011	70515	BPQ100/CL/MC/SPA	6/24
2	79113800		34600-0014	70514	BPQ250/CL/MC/SPA	6/24
3	070517		34600-0012	70517	BPQ100/CL/DC/SPA	6/24
3	79112700		34600-0015	70518	BPQ250/CL/DC/SPA	6/24
4	78881100				BPQ250T3/CL/S-130	6/72
1	79131400		34600-0016	74586	BPQ50T4	6/72
1	79131200		34600-0014	74587	BPQ100T4	6/72
5	79131000		34600-0018	74588	BPQ300T3/CL	6/72
5	79131100		34600-0019	74589	BPQ500T3/CL	6/72
6	619352				FMW	25
6	79112400	SPX0590H	34600-0009	70516	BPEYC	6/72
6					BPELC/SPA*	6/24
7	79102000	SPX503-Z5			400G30	6/24
8	79108100	SPX0550Z4	34600-0		100R20/S-12	25/200
9	79108000	SPX0551Z4			100R20/S	25/200
10	79101800	SPX0510A		70513	100BR30/FL-12	6/24
11	79101900	SPX0541Z1	34600-0004	70523	300R/FL-12	6/24
11	79107600	SPX0542Z4	34600-0022	70524	300R/FL-130	6/24
11	79102200			70282	400R/FL	6/24
11	79102100	SPX0504Z7	34600-0003	70525	500R/FL-130	6/24

*Fiberstar # HI-111



PoolCo USA

Skimmers & Returns



Part Number	Type	List Price	Color
25160-010	Standard	158.00	White
25160-110	Wide Mouth	192.00	White
25160-111	Wide Mouth	210.00	Grey
25511-000	A/G Standard	52.00	White
25512-000	A/G Widemouth	72.00	White
25140-210	Gunite	117.00	White



Inlet/Outlet Fitting-Vinyl Liner, In-Ground-1 1/2"

2" external thread. Constructed in white ABS. Gaskets and hardware included. Must purchase Directional Flow or Multiflow Fitting separately.

25522-000	White	11.00
25522-001	Grey	12.00

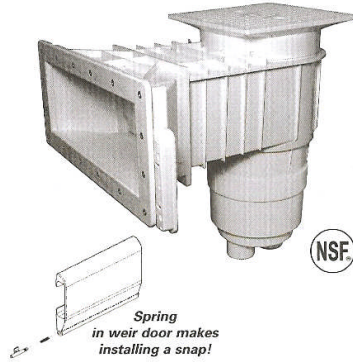


25550-000	White	8.00
25550-001	Grey	9.00



PoolCo USA

WATERWAY SKIMMERS

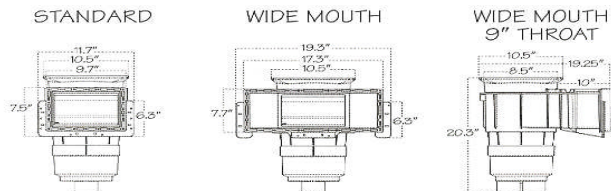


FEATURES

- PVC sockets for better glue joints.
- 2" socket is 2 1/2" spigot for more flow.
- 1 1/2" socket is 2" spigot for easier plumbing.
- 1/2" socket for overflow hose.
- Large locking skimmer basket.
- Easy access spring-loaded weir door simplifies replacement.
- Optional float valve.
- Optional skimmer test kit.
- Lock-Down vacuum plate included.

Renegade Vinyl Liner Skimmer (In-Ground Application)

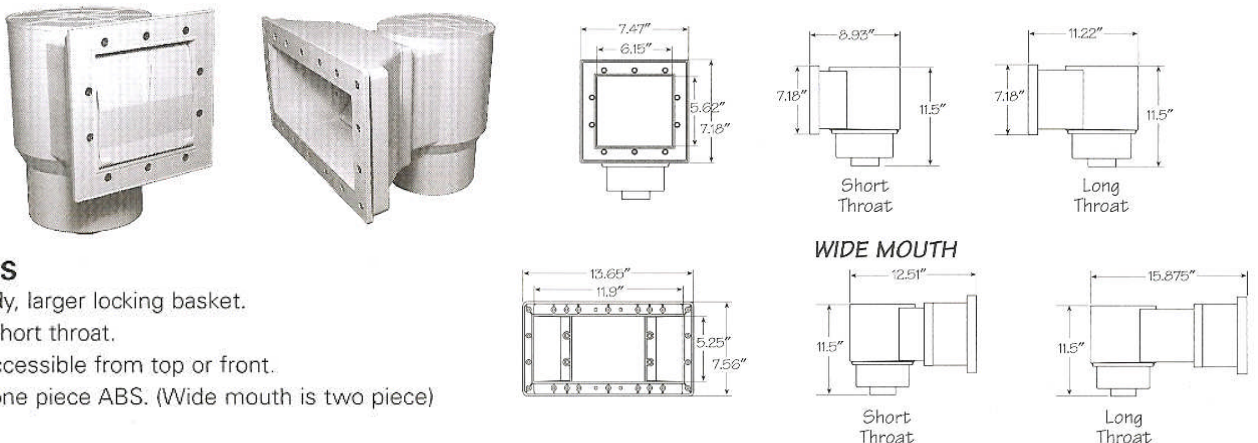
Part No.	Description	Throat	Color	Price
540-8430	Standard Vinyl Liner In-Ground Skimmer 1 1/2" Socket	--	White	165.00
540-8537	Wide-mouth Vinyl Liner In-Ground Skimmer 1 1/2" Socket	9"	Gray	220.00
540-8530	Wide-mouth Vinyl Liner In-Ground Skimmer 1 1/2" Socket	9"	White	194.00
Accessories				
519-9520	Standard Vinyl Liner Trim Plate	--	White	9.00
519-9540	Wide-mouth Vinyl Liner Trim Plate	--	White	11.00
519-6570	Extension ring (1 ring comes with each of the skimmers above)		White	9.00



Waterway's Vinyl Liner In-Ground Skimmer is designed for better and easier installations while maximizing flow. The large skimmer basket locks into place and will not float up. High flow rate of 75 gallons per minute.

Flo-Pro II (Above Ground Application)

Part No.	Description	Wt. (lbs)	Color	Price
560-D0C60S	Standard Skimmer-Long Throat with return	5	White	48.00
560-C3C60L	Wide-mouth Skimmer- Short Throat with return	7	White	69.00



FEATURES

- Deep body, larger locking basket.
- Long or short throat.
- Basket accessible from top or front.
- Durable one piece ABS. (Wide mouth is two piece)
- 1 1/2" FPT.
- 1 1/2" hose adapter included.

PoolCo USA

Waterway

WATERWAY CONCRETE MAIN DRAINS

Waterway's wide selection of pool drains and drain covers simplifies installation for new or existing pools and spas. We manufacture our drain bodies in PVC for better glue joints or threaded connections. Always use two or more drains per pump.



675-320xV



640-2520



640-2310



640-4700



Meeting the Virginia Graeme-Baker Pool and Spa Safety Act - VGB 2008

Bottom x Bottom Main Drains

Part No.	Description	Color	Case Qty.	Price
640-2320	Anti-vortex 1½" Socket	White	6	38.00
640-2321	Anti-vortex 1½" Socket	Black	6	38.00

Side x Bottom Main Drains

640-2420V	Anti-vortex 1½" Socket	White	8	34.00
640-2520V	Anti-vortex 2" Socket	White	8	34.00
640-2550V	Anti-vortex 2" FPT	White	8	34.00

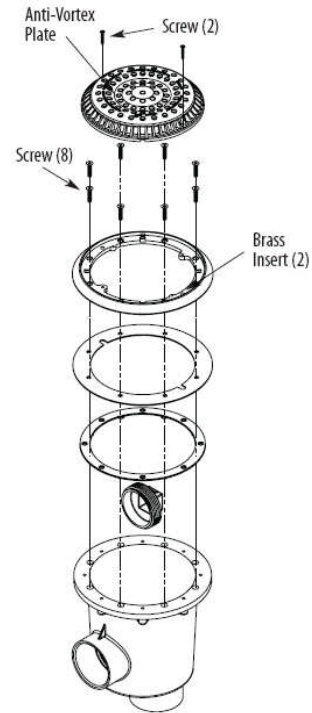
Cover & Frames - Misc. Main Drains

640-231xV	Anti-vortex Cover & Frame	White	25	18.00
640-2311V	Anti-vortex Cover & Frame	Black	25	18.00
640-2317	Anti-vortex Cover & Frame	Gray	25	18.00
640-2319-BEI	Anti-vortex Cover & Frame	Beige (Tan)	25	18.00
640-2319-DKB	Anti-vortex Cover & Frame	Dark Blue	25	18.00
640-3110	10" A/V Pool Cover & Frame	White	30	32.00
640-3111	10" A/V Pool Cover & Frame	Black	30	32.00
640-3117	10" A/V Pool Cover & Frame	Gray	30	32.00
640-3119-DKG	10" A/V Pool Cover & Frame	Dark Gray	30	32.00
640-3119-BEI	10" A/V Pool Cover & Frame	Beige	30	32.00
640-2410	8" Main Drain Std. W/ 2 ½" x S	White	1	63.00
640-2830	Same as above but w/Adj. Collar	White	1	73.00
672-2610	8" Deep Sump M.D. 2 1/2 " x S	White	7	14.00
640-4700	9" x 9" Grate & Frame	White	18	70.00
640-4701	9" x 9" Grate & Frame	Black	18	78.00
640-4707	9" x 9" Grate & Frame	Gray	18	78.00
640-4709-DKG	9" x 9" Grate & Frame	Dark Gray	18	78.00
640-4709-BEI	9" x 9" Grate & Frame	Beige (Tan)	18	78.00
640-4730	9" x 9" Universal Grate	White	18	52.00
675-320xV	9" x 9" Fiberglass Sump Ass'y	---	1	375.00
675-310xV	12" x 12" Fiberglass Sump Ass'y	---	1	445.00
640-4720	12" x 12" Grate & Frame	White	14	106.00
640-4721	12" x 12" Grate & Frame	Black	14	118.00
640-4727	12" x 12" Grate & Frame	Gray	14	118.00
640-4729-DKG	12" x 12" Grate & Frame	Dark Gray	14	118.00
640-4729-BEI	12" x 12" Grate & Frame	Beige (Tan)	14	118.00
640-4740	12" x 12" Universal Grate	White	14	72.00

PoolCo USA

VINYL MAIN DRAINS

Waterway's Wide selection of pool drains and drain covers simplifies installation for new or existing pools and spa's. Main drain sump bodies are PVC, better for plastic gluing sockets and threading adapters than ABS. Vinyl liner main drains come with a stay-in-place gasket, eliminating the need to glue a gasket to the body before installation. Always use two or more drains per pump.



Waterway® Vinyl Liner Main Drains			
Part No.	Description	Color	Price
640-266xV	Anti-Vortex 1 1/2" Socket	White	44.00
640-2667	Anti-Vortex 1 1/2" Socket	Gray	46.00
640-275xV	Anti-Vortex 2" Socket	White	46.00



CUSTOM MOLDED PRODUCTS, INC.



Vinyl Main Drain w/ 8" Galaxy Lid & Ring
8 per box

25515-000

- 2" Side Opening, 2" Bottom Opening
- Includes Bushings & Plug
- Extra Deep Threads for Easy Pressure Testing
- 95 GPM (Floor Only)

Replacement Gasket

25515-000-011

Replacement Lid

25507-100-010



CMP® Vinyl Liner Main Drains			
Part No.	Description	Color	Price
25515-000	1 1/2" & 2" Combo Vinyl/FG Pool Main Drain	White	44.00
25515-001	1 1/2" & 2" Combo Vinyl FG Pool Main Drain	Grey	44.00
25597-100	Replacement VGB drain cover-Fits SP1048 Hayward	White	20.00
255	Above Hay. repl. VGB drain cover with adapter ring	White	24.00

PoolCo USA

WATERWAY FITTINGS



Deluxe return fitting assy 1" eyeball (with Gasket)				
Part No.	Description	Case Qty.	Color	Price
550-9340	bulk packed	45	White	12.00



Return wall fitting Ass'y (with nut & Gasket) 1 1/2" FPT thru				
Part No.	Description	Case Qty.	Color	Price
400-9170	bulk packed	50	White	8.00
400-9177	bulk packed	50	Gray	9.00

1" Eyeball Opening 1 1/2" MPT			
Part No.	Case Qty.	Color	Price
400-1410E	125	White	3.00
400-1417E	125	Gray	3.50

3/4" Eyeball Opening 1 1/2" MPT			
Part No.	Description	Color	Price
400-1410D	125	White	3.00
400-1417D	125	Gray	3.50

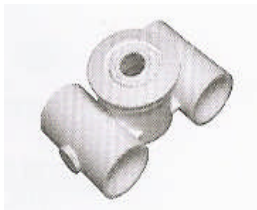
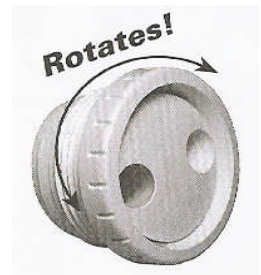
Steel wall Vinyl liner fitting Ass'y with combo spacer & locknut				
Part No.	Description	Case Qty.	Color	Price
400-9160B	1 1/2" FPT x 1 1/2" FPT	25	White	11.00
400-9060B	1 1/2" FPT x 1 1/2" Socket	25	White	11.00
400-9067B	1 1/2" FPT x 1 1/2" Socket	25	Gray	12.00



Wall Fitting Escution				
Part No.	Description	Case Qty.	Color	Price
218-1440	bulk packed	200	White	2.00
218-1447	bulk packed	200	Gray	2.50

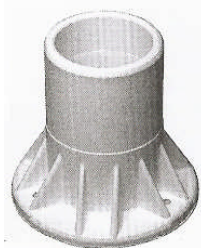
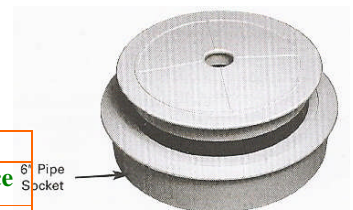


Spa Rotating Therapy Massage Jet 1 1/2" MPT				
Part No.	Description	Case Qty.	Color	Price
212-9170	Individually Bagged	50	White	22.00
212-9177	Individually Bagged	50	Gray	22.00



Directional Eye for Spas (same as Hydro-Air 5100 series)				
Part No.	Description	Case Qty.	Color	Price
210-4120	1 1/2" S x 1 1/2" S	24	White	26.00

6" Valve Niche Ass'y (Cover & Flange)				
Part No.	Description	Case Qty.	Color	Price
540-3160	Individually Bagged	30	White	14.00



Ladder Flange with Support Opening – While Supplies Last				
Part No.	Description	Case Qty.	Color	Price
429-4020	Bulk packed	175	White	4.00
429-4027	Bulk packed	175	Gray	4.00

PoolCo USA

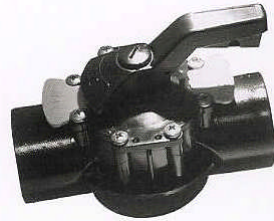


Valves & Unions



TruSeal 3-Way Diverter Valves

Part No.	Description	Price
600-7100-CPVC	2" Socket x 2 1/2" Spigot- CPVC Body	72.00
600-7200-CPVC	1 1/2" Socket x 2" Spigot- CPVC Body	68.00



TruSeal 2-Way Diverter-Straight Body

600-7060-CPVC	2" Socket x 2 1/2" Spigot- CPVC Body	64.00
600-7070-CPVC	1 1/2" Socket x 2" Spigot- CPVC Body	59.00

TruSeal 2-Way Diverter-90° Body

600-7040-CPVC	2" Socket x 2 1/2" Spg- CPVC Body	64.00
600-7050-CPVC	1 1/2" Socket x 2" Spg- CPVC Body	59.00



TruSeal Check Valve-Straight Body

600-7010	2" Socket x 2 1/2" Spigot- Black CPVC Body	54.00
600-7030	1 1/2" Socket x 2" Spigot- Black CPVC Body	48.00



TruSeal Check Valve-90° Body

600-7000	2" Socket x 2 1/2" Spigot- Black CPVC Body	54.00
600-7020	1 1/2" Socket x 2" Spigot- Black CPVC Body	48.00

Miscellaneous Valves & Unions

6101	1 1/2" Deluxe Gate Slice Valve- S x S Valterra	15.00
6201	2" Deluxe Gate Slice Valve- S x S Valterra	23.00
11378	CMP Ball Valve- 1 1/2" Socket x Socket unionized	20.00
15695	CMP Ball Valve- 2" Socket x Socket unionized	28.00
2161	1 1/2"/2" 3-Way PVC Valve- S x S x S -Valterra	39.00
40UN15	1 1/2" Schedule 40 Union-S x S x Union SPECIAL	8.00
80UN20	2" Schedule 80 Union- S x S x Union	22.00
40UN15	1 1/2" Schedule 80 Union- S x S x Union	18.00
40UN20	2" Schedule 40 Union- S x S x Union	12.00

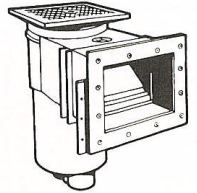
PoolCo USA

Circulation Fittings

In-Ground (Vinyl/Fiberglass) Skimmers

Model No.	Description	Pipe Size	Cover Style	Throat Length	Price
SP108410M	Auto Skim Series	1 1/2" FIP	Square	8 1/2"	176.00
SP108520M	Auto-Skim Wide Track Series	1 1/2" FIP	Square	9 1/4"	210.00
SP1097	Auto-Skim PT & Econ. Series	1 1/2" FIP	Round	12 1/2"	146.00

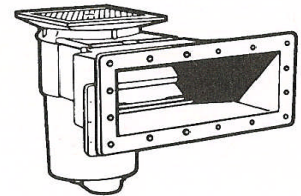
* All skimmers are packed with a face plate, gaskets, and screws.



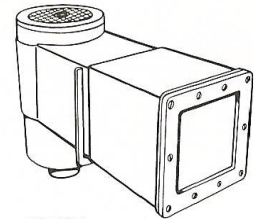
SP10841

Skimmer Accessories

Model No	Description	Price
SP1084F	Face plate cover-"Snap On," for SP1084- white	8.00
SP1085F	Face plate cover-"Snap On," for SP1085- white	10.00
SP1084P1	Extension collar for SP1084 and SP1085	11.00
SP1106	Vac Plate w/ rubber gasket for large skimmers	16.00



SP108510M



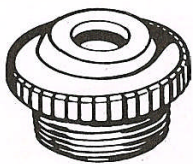
SP1097

Main Drains ASME/ANSI-VGB Compliant

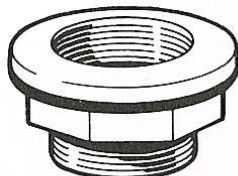
Model No.	Type	Size	Price
WG1048AV- Pair	(2) Vinyl/Fiberglass Drains	1-1/2	99.00

Pool Fittings

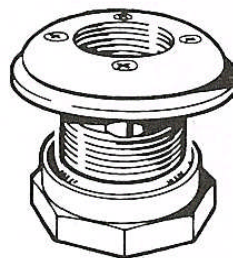
Model No.	Pipe Size	Description	Price
SP1419C,D,E	1 1/2" MIP	Hydro stream 1/2", 3/4", 1 opening	3.00
SP1023	1 1/2" FIP	Fitting with locknut and gaskets	9.00
SP1408	1 1/2" x 1 1/2" FIP	Locknut/spacer with face thread in body	11.00
SPX1091Z7	1 1/2" MIP	Male adapter 1 1/2"/1 1/4" combo hose	1.50



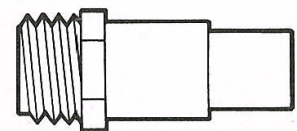
SP1419D



SP1023



SP1408



SPX1091Z7

PoolCo USA

LASCO® Fittings, Inc.

Schedule 40 PVC Fitting

Tee



(slip x slip x slip)

90 Ell



(slip x slip)

45 Ell



(slip x slip)

Coupling



(slip)

Female Adaptor



(slip x FIPT)

Tee



(insert)

Male Adaptor



(insert x MIPT)

Part No.	Description	Size	Case qty.	Price
401-015	Tee (slip x slip x slip)	1 1/2"	25	2.00
401-020	Tee (slip x slip x slip)	2"	25	3.00
401-025	Tee (slip x slip x slip)	2 1/2"	10	9.00
401-030	Tee (slip x slip x slip)	3"	10	12.00
402-209	Reduce Tee (slip x slip x FIPT)	1 1/2" x 1 1/2" x 1/2"	25	3.80
402-210	Reduce Tee (slip x slip x FIPT)	1 1/2" x 1 1/2" x 3/4"	25	3.80
406-015	90 Ell (slip x slip)	1 1/2"	25	1.60
406-020	90 Ell (slip x slip)	2"	25	2.40
406-025	90 Ell (slip x slip)	2 1/2"	10	7.00
406-030	90 Ell (slip x slip)	3"	10	8.00
407-015	90 Combo (FIPT x slip)	1 1/2"	25	2.50
409-015	90 Street Ell (sp x slip)	1 1/2"	25	3.10
410-015	90 Street Ell (MIPT x slip)	1 1/2"	25	2.50
411-015	90 Street Ell (sp x FIPT)	1 1/2"	25	3.00
417-015	45 Ell (slip x slip)	1 1/2"	25	2.25
417-020	45 Ell (slip x slip)	2"	25	2.80
417-025	45 Ell (slip x slip)	2 1/2"	10	7.00
417-030	45 Ell (slip x slip)	3"	10	11.00
429-015	Coupling (slip)	1 1/2"	25	0.96
429-020	Coupling (slip)	2"	25	1.56
429-025	Coupling (slip)	2 1/2"	10	3.20
429-030	Coupling (slip)	3"	10	5.00
429-251	Reducer Coupling (slip)	2" x 1 1/2"	10	3.20
435-015	Female Adaptor (slip x FIPT)	1 1/2"	25	1.25
435-020	Female Adaptor (slip x FIPT)	2"	25	2.00
435-025	Female Adaptor (slip x FIPT)	2 1/2"	10	4.50
435-030	Female Adaptor (slip x FIPT)	3"	10	6.00
436-015	Male Adaptor (MIPT x slip)	1 1/2"	25	1.20
436-020	Male Adaptor (MIPT x slip)	2"	25	1.60
436-025	Male Adaptor (MIPT x slip)	2 1/2"	10	4.40
436-030	Male Adaptor (MIPT x slip)	3"	10	6.60
437-210	Reducer Bushing (sp x slip)	1 1/2" x 3/4"	25	1.20
437-292	Reducer Bushing (sp x slip)	2 1/2" x 2"	10	3.00
437-338	Reducer Bushing (sp x slip)	3" x 2"	10	4.20
437-339	Reducer Bushing (sp x slip)	3" x 2 1/2"	10	4.20
438-209	Reducer Bushing (sp x FIPT)	1 1/2" x 1/2"	25	2.00
438-210	Reducer Bushing (sp x FIPT)	1 1/2" x 3/4"	25	2.00
438-251	Threaded Bushing (MIPT x FIPT)	2" x 1 1/2"	10	3.40
Insert Fittings-pvc				
1401-015	Tee (insert)	1 1/2"	10	3.80
1406-015	90 Ell (insert x insert)	1 1/2"	10	2.40
1407-015	Combo Reducer 90 Ell (ins x FIPT)	1 1/2" x 1 1/2"	10	3.70
1413-015	Combo 90 Ell (insert x MIPT)	1 1/2"	10	5.20
1429-015	Coupling (insert x insert)	1 1/2"	20	1.40
1435-015	Female Adaptor (insert x FIPT)	1 1/2"	15	5.20
1436-015	Male Adaptor (insert x MIPT)	1 1/2"	20	1.40
Schedule 80 PVC Nipples				
215-017	Nipples	1 1/2" x close	25	1.80
215-040	Nipples	1 1/2" x 4"	25	2.70
215-060	Nipples	1 1/2" x 6"	25	3.50
215-080	Nipples	1 1/2" x 8"	25	4.50
215-120	Nipples	1 1/2" x 12"	25	6.00

Orders of 2 cases or more receive an additional discount – we have other sizes of above nipples.

PoolCo USA

Automatic Chlorinators

POWERclean ULTRA In-Line Chlorinator

POWERclean ULTRA In-Line Chlorinator

1 per box

25280-100 with Clear Lid

25280-110 with White Lid

- Holds 12-3" tablets or 5lbs of 1" tablets
- Designed to treat pools from 5,000 to 50,000 gallons
- Clear lid for easy serviceability
- 2" unions for quick-disconnect
- Superior dial with 100% shut-off
- Built in flow meter for easy adjustment
- No external hoses
- All piping is inside unit to eliminate leaks



PowerClean Ultra In-Line Chlorinator Replacement Parts

- | | |
|-------------------|--------------------------|
| 1) 25280-100-005 | Grate |
| 2) 25280-000-920 | Check Valve Assembly |
| 3) 21023-000-000 | 2" Union |
| 4) 25280-100-950 | Flow Meter Assembly |
| 5) 26203-021-250 | O-ring, Upper Flow Meter |
| 6) 26202-115-020 | O-ring, Lower Flow Meter |
| 7) 26100-100-330 | O-ring, Dial Assembly |
| 8) 25280-100-930 | Dial Assembly |
| 9) 25280-100-001 | Cover Nut |
| 10) 25280-109-002 | Cover, Clear |
| 25280-100-002 | Cover, White |
| 11) 26101-060-530 | O-ring, Cover |

Chlorinators NEW!

POWERclean MINI

PowerClean Mini Chlorinator Replacement Parts

- | | |
|------------------|------------------------|
| 1) 25280-100-005 | Grate |
| 2) 25280-000-920 | Check Valve Assembly |
| 3) 25280-200-002 | Lid |
| 4) 26101-060-530 | O-ring, Lid |
| 5) 25280-200-960 | Flow Chamber Cap Assy. |
| 6) 26203-021-250 | O-ring, Flow Chamber |
| 7) 25280-100-930 | Dial Assembly |
| 8) 26100-100-330 | O-ring, Dial Assembly |

POWERclean MINI Chlorinator

1 per box

25280-200

- Designed to treat pools from 5,000 - 20,000 gallons
- Holds (5) 3" Tablets or 2lbs. of 1" Tablets
- Great for above ground pools
- 1-1/2" hose adapter included
- 1-1/2" threaded fitting included



Item #	Description	Price
25280-100	POWERclean Ultra In-Line	\$99.00
25280-200	POWERclean Mini Chlorinator	\$66.00

PoolCo USA

Automatic Chlorinators



CL200



CL220



Off-Line Parts Kit

Automatic Chemical Feeders

Model No.	Pipe Size	Chemical Capacity	Feeder Width	Feeder Height	Price
In-line Chlorinators					
CL200	1 1/2" FIP	9 lbs.	9"	14 3/4"	120.00
Off-Line Chlorinators					
CL220	-	9 lbs.	8 1/4"	15 1/2"	150.00
Hayward Clone In-Line Chlorinator (same as CL200) also, very reliable					
110681	1 1/2" FIP	9 lbs.	--	--	80.00
Hayward Clone Off-Line Chlorinator (same as CL220) also, very reliable					
110680	-	9 lbs.	--	--	85.00

Off-Line Chlorinator Parts Kit

--	Generic Parts Kit				20.00
----	-------------------	--	--	--	-------



PoolCo USA

WATERWAY CHLORINATORS



Part No.	Description	Color	Price
CCF012-W	Off-line 12 Tablet Feeder	White	104.00
CLC012-W	In-line 12 Tablet Feeder- 2" Socket	White	118.00
CLBA012-W	In-line 1 1/2" FPT with bracket for Clearwater filter system	White	130.00
550-6700	Bracket with screws for In-line chlorinator	Black	20.00

Clearwater automatic chlorinators provide safe and reliable pool sanitation. Clearwater's durable flow valve for regulating chlorine or bromine flow has been improved to better adjust for more accurate settings. The dial has been moved to make viewing easier and the external hose has been eliminated on the in-line model.



Off-Line

OFF-LINE FEATURES

- 2 barbed fittings to simplify hook-up to above ground pool installations.
- 2 hose clamps for plumbing in-ground pools or hard plumbed pools.
- Optional accessory pad for use with ClearWater pumps and filters.
- A check valve to prevent backflow of water into chlorinator.

IN-LINE FEATURES

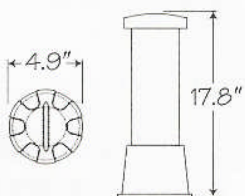
- 2" socket x 2 1/2" spigot (1 1/2" socket reducers included).
- A check valve to prevent backflow of water into chlorinator.
- Internal chamber designed for improved performance.

* Also available in white.



In-Line

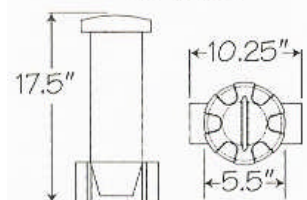
Off-Line



550-6700

Chlorinator bracket.
For complete assembly, see page 21.

In-Line

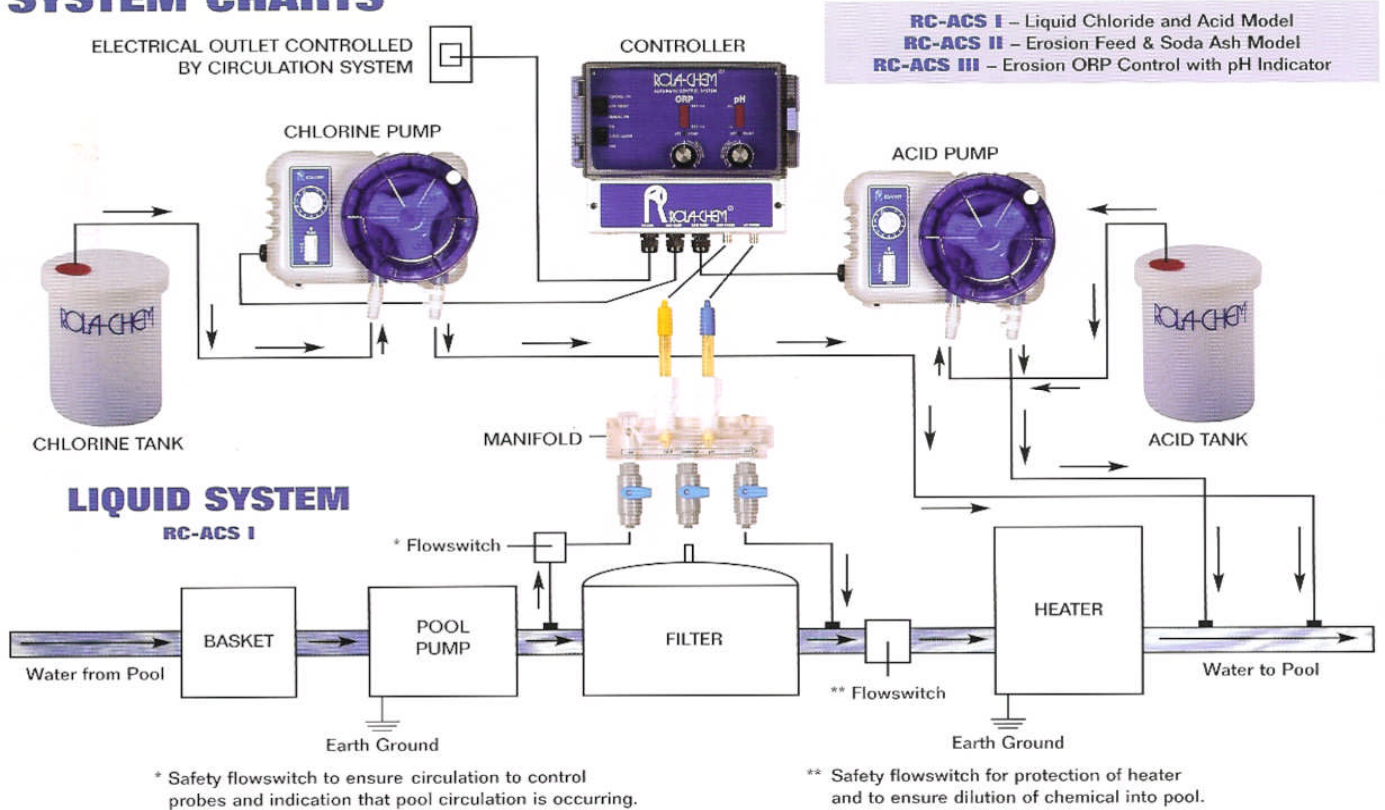


PoolCo USA

Automatic Controllers & Flow meters



SYSTEM CHARTS



Controller System

Part No.	Description	Price
554000	Programable digital orp/ph controller with flowswitch flow cell, probes plus fittings and tubing to install flow cell.	2,200.00

Flow Meters (Top Mount)

Model #	Pipe Size	Range (GPM)	Range (LPM)	Price
570341	1 1/2" P	20-100	76-378	80.00
570351	2" P	40-140	151-530	90.00
570361	2 1/2" P	80-260	303-964	105.00
570371	3" P	100-320	378-1211	120.00
570381	4" P	150-550	568-2082	140.00
570391	6" P	300-950	1136-3596	179.00
570401	8" P	600-1800	2271-6813	196.00



PoolCo USA

Automatic Controllers continued

CHEMICAL TANKS

Rola-Chem offers a range of heavy duty tanks and covers available in 5, 15, 30, and 55 gallon sizes. They are precision molded of high density polyethylene polymer which is highly resistant to corrosive solutions. For your Convenience, tanks and lids are sold separately.

Features:

- Translucent - allows visual check of chemical level
- Heavy Duty Construction - longer lasting
- UV Protected - solar rays will not damage chemicals

Part No.	Model #	Size	Description	Price
561004	T-5	5 Gal	Poly Tank with cover & cap plug 14''h x 11''d	89.00
561015	T-15	15 Gal	Poly Tank with cover & cap plug 21 1/2''h x 15''d	196.00
561265	PT-15	15 Gal	Poly Tank for mounting pump 40 1/2''h x 15''d	298.00
561030	T-30	30 Gal	Poly Tank with cover & cap plug 28 1/2''h x 18''d	336.00
561055	NEW T-55	55 Gal	Poly Tank with cover & cap plug 34''h x 22 1/2'' d	420.00

Peristaltic Pumps

Part No.	Model No.	Min. Feed	Max Feed	Volts	Price
Pro Series					
543709	RC252SC	.01 GPD	1.12 GPD	120 Cord	595.00
543700	RC25/53SC	.10 GPD	12 GPD	120 Cord	595.00
543702	RC103SC	.30 GPD	32 GPD	120 Cord	595.00



GPD = Gallons per day **ALL LISTED ROLA-CHEM PRODUCTS ARE STOCKED !!**

No Price Increases for 2012 !



PoolCo USA

Salt Chlorine Generator Systems



Part No.	Description	Price
CPSC48	Salt Chlorine Generator-60,000 Gallon – Dual Voltage	1,750.00
CPSC36	Salt Chlorine Generator-40,000 Gallon – Dual Voltage	1,695.00
CPSC24	Salt Chlorine Generator-26,000 Gallon – Dual Voltage	1,595.00
CPSC16	Salt Chlorine Generator-20,000 Gallon – Dual Voltage	1,550.00
CPSC08	Salt Chlorine Generator-4,000 Gallon – Spa Dual Voltage	1,395.00
CPSC24-AG	Salt Chlorine Generator-26,000 Gallon – A/G 110V	1,495.00
CPSC16-AG	Salt Chlorine Generator-20,000 Gallon – A/G 110V	1,450.00

Powerful Features

- 3500 P.P.M. salt
- LCD digital display
- LED indicator lights
- High and low salt fault lights
- No flow sensor and fault light
- Self regulating function if salt content is too high
- Fully weather protected
- Winter mode for cold water operation
- SuperChlor mode for boosting chlorine levels during peak times
- Touch pad controls that provide easy setting
- Fully automatic operation – even when the owner is away
- Easy installation to new and existing pools
- Reliable and durable for long lasting performance
- Digital time clock with battery back up timer as standard
- Cell has push on water proof connectors for simple exchange of cell
- Advanced high grade U.V. stabilised plastic control unit
- Large alloy heatsink for heat disipation and corrosion resistance

2Year
Full Warranty
on Power Pack

5Year
Pro-rated
Warranty
on Cell

Generic Replacement Cells

Part No.	Description	Price
GRC40GH	Replaces Goldline/Hayward – Aquarite 40,000 Gallon	861.00
GRC20GH	Replaces Goldline/Hayward – Aquarite/Aqua-trol 20,000 Gallon	618.00
GRC/EM	Replaces Ecomatic/Monarch – ESC 24/36/48	934.00
GRC16EM	Replaces Ecomatic/Monarch – ESC 16	859.00
GRC/ESR240/300	Replaces Ecomatic – ESR240/300 (non-reversing)	675.00
GRC/ESR160/200	Replaces Ecomatic – ESR160/200 (non-reversing)	621.00
GRC/ESR150	Replaces Ecomatic – ESR150 (non-reversing)	567.00
GRC/ESR70/110	Replaces Ecomatic – ESR70/110 (non-reversing)	648.00
GRC/ZC/LM2-24	Replaces Zodiac/Clearwater – LM2-24 24,000 Gallon	824.00
GRC/ZC/LM2-40	Replaces Zodiac/Clearwater – LM2-40 40,000 Gallon	1,107.00
GRC/ZC/B/C 270	Replaces Zodiac/Clearwater – B/C Series 270 (non-reversing)	499.00
GRC/ZC/B/C 330	Replaces Zodiac/Clearwater – B/C Series 330 (non-reversing)	635.00
GRC/AP/CC-15	Replaces Auto Pilot CC-15 Commercial Cell w/19069 Union	1,277.00
GRC/AP/SC60	Replaces Auto Pilot SC60 w/Unions	861.00
GRC/AP/SC48	Replaces Auto Pilot SC48 w/Unions	591.00
GRC/AP/SC36	Replaces Auto Pilot SC36 w/Unions	402.00

All Above – While Supplies Last

PoolCo USA

HAYWARD® Salt Chlorine Generators

Controllers

(All controllers require appropriate Turbo Cell below)

Part No.	Description	Price
AQR	Aquarite Chlorinator	980.00
AQR-PRO	Aquarite Pro Chlorinator	1,130.00
PL-PLUS	Aqua Plus	2,360.00
PL-PS-4	Pro Logic Base System 4 Relay System – Requires PKIT	1,790.00
PL-PS-8	Pro Logic Base System 8 Relay System – Requires PKIT	2,440.00
PL-PS-16-V	Pro Logic Virtual Control System	2,740.00

Cells For All Controllers

Part No.	Description	Price
T-CELL-15	40k Gallon Turbo Cell w/15' Cable	1,030.00
T-CELL-9	24k Gallon Turbo Cell w/15' Cable	740.00
T-CELL-3	15k Gallon Turbo Cell w/15' Cable	456.00

Accessories for Aquarite and Pro Logic Controllers

Part No.	Description	Price
AQL-CHEM	Sense and Dispense Chemistry Kit – Tests pH and ORP	1,040.00
AQL-CHEM2	Sense and Dispense Kit 120V – pH Dispense & CO ² Valve	505.00
AQL-CHEM2-240	Sense and Dispense Kit 240V – pH Dispense & CO ² Valve	505.00
AQL-CHEM3-120	Acid Feed System pH Dispense – 120V	865.00
AQL-CHEM3-240	Acid Feed System pH Dispense – 240V	865.00
P-KIT	Flow Switch and Union Kit for PS4 & PS8	230.00
AQUA-CON	Aqua Connect – Interface with automation system	565.00

