

# PoolCo USA

## Skimmers & Returns

**ASTRALPOOL**

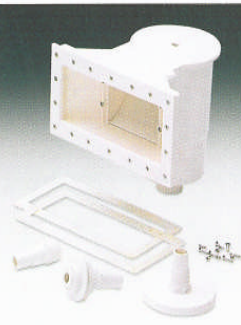


### Wide-Mouth Vinyl Skimmer

Outside mount on steel wall pool. High quality injection molded ABS body with external ribs for superior strength. Skimmer features unique triple connections; two standard 2" slip plus a third, optional connection with a molded 90° elbow for easier installation in rocky soil conditions. Round cover with 1/4" adjustment. For square lid applications add "Sq" to end of reference number.



Skimmer includes weir flap, vacuum plate, basket and installation hardware. Top access unit features 6"x5 1/2" mouth for superior skimming action. Vacuum plate allows for use of either 1 1/4" or 1 1/2" vacuum hose and bottom skimmer connection is 1 1/2". Gaskets and face plate included. Skimmer package also includes ABS return fitting which will accommodate 1 1/4" or 1 1/2" return hose. Quality construction at a competitive price!



### Wide Mouth Above Ground Skimmer

Same features as 09707, with dimensions of wide mouth; fits industry standard hole pattern.



### Inlet/Outlet Fitting-Vinyl Liner, In-Ground-1 1/2"

2" external thread. Constructed in white ABS. Gaskets and hardware included. Must purchase Directional Flow or Multiflow Fitting separately.

| Reference                       | List Price    | Standard Carton | Carton Weight (lbs.) | Carton Volume (ft <sup>3</sup> ) |
|---------------------------------|---------------|-----------------|----------------------|----------------------------------|
| <b>Wide-mouth Vinyl Skimmer</b> |               |                 |                      |                                  |
| <b>15560</b>                    | <b>170.00</b> | <b>1</b>        | <b>13.2</b>          | <b>3.0</b>                       |
| <b>Standard Vinyl Skimmer</b>   |               |                 |                      |                                  |
| <b>15559</b>                    | <b>140.00</b> | <b>1</b>        | <b>13.2</b>          | <b>3.0</b>                       |
| <b>Extension Collar</b>         |               |                 |                      |                                  |
| <b>05280</b>                    | <b>8.00</b>   | <b>1</b>        | <b>1</b>             | <b>N/A</b>                       |

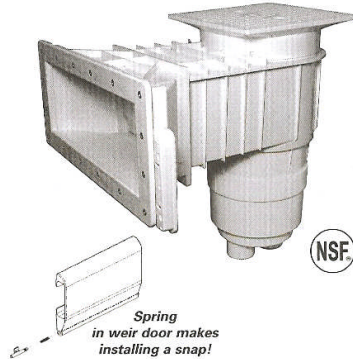
|              |              |          |           |            |
|--------------|--------------|----------|-----------|------------|
| <b>09707</b> | <b>42.00</b> | <b>1</b> | <b>11</b> | <b>2.3</b> |
|--------------|--------------|----------|-----------|------------|

|              |              |          |           |            |
|--------------|--------------|----------|-----------|------------|
| <b>20891</b> | <b>60.00</b> | <b>1</b> | <b>13</b> | <b>3.0</b> |
|--------------|--------------|----------|-----------|------------|

|              |             |           |           |             |
|--------------|-------------|-----------|-----------|-------------|
| <b>22349</b> | <b>9.95</b> | <b>12</b> | <b>10</b> | <b>0.71</b> |
|--------------|-------------|-----------|-----------|-------------|

# PoolCo USA

## Waterway Skimmers

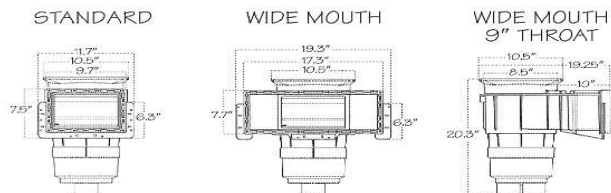


### FEATURES

- PVC sockets for better glue joints.
- 2" socket is 2 1/2" spigot for more flow.
- 1 1/2" socket is 2" spigot for easier plumbing.
- 1/2" socket for overflow hose.
- Large locking skimmer basket.
- Easy access spring-loaded weir door simplifies replacement.
- Optional float valve.
- Optional skimmer test kit.
- Lock-Down vacuum plate included.

### Renegade Vinyl Liner Skimmer (In-Ground Application)

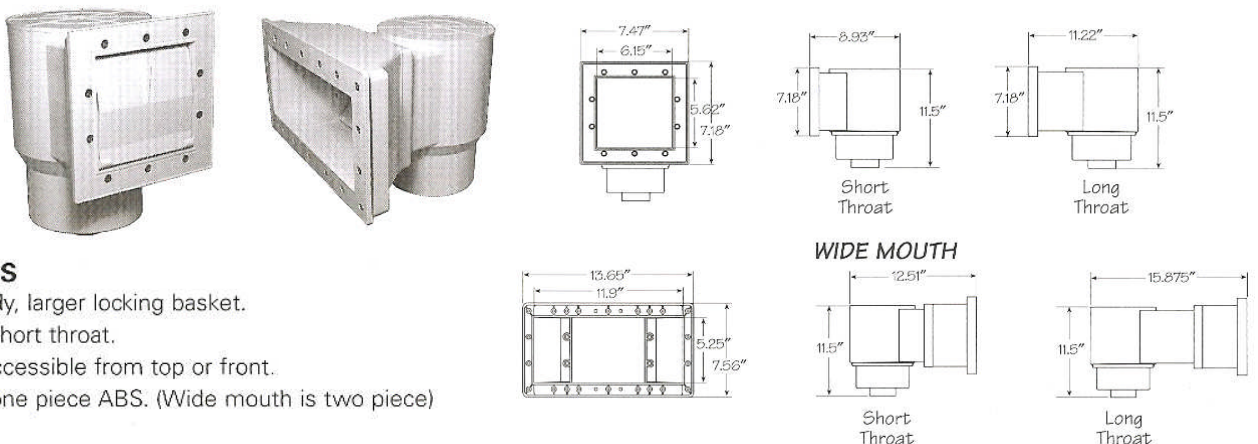
| Part No.           | Description   | Throat | Color | Price  |
|--------------------|---|--------|-------|--------|
| 540-8430           | Standard Vinyl Liner In-Ground Skimmer 1 1/2" Socket          | --     | White | 158.00 |
| 540-8537           | Wide-mouth Vinyl Liner In-Ground Skimmer 1 1/2" Socket        | 9"     | Gray  | 210.00 |
| 540-8530           | Wide-mouth Vinyl Liner In-Ground Skimmer 1 1/2" Socket        | 9"     | White | 180.00 |
| <b>Accessories</b> |   |        |       |        |
| 519-9520           | Standard Vinyl Liner Trim Plate                               | --     | White | 9.00   |
| 519-9540           | Wide-mouth Vinyl Liner Trim Plate                             | --     | White | 11.00  |
| 519-6570           | Extension ring (1 ring comes with each of the skimmers above) |        | White | 9.00   |



Waterway's Vinyl Liner In-Ground Skimmer is designed for better and easier installations while maximizing flow. The large skimmer basket locks into place and will not float up. High flow rate of 75 gallons per minute.

### Flo-Pro II (Above Ground Application)

| Part No.   | Description                                  | Wt. (lbs) | Color | Price |
|------------|--|-----------|-------|-------|
| 560-D0C60S | Standard Skimmer-Long Throat with return     | 5         | White | 42.00 |
| 560-C3C60L | Wide-mouth Skimmer- Short Throat with return | 7         | White | 62.00 |



### FEATURES

- Deep body, larger locking basket.
- Long or short throat.
- Basket accessible from top or front.
- Durable one piece ABS. (Wide mouth is two piece)
- 1 1/2" FPT.
- 1 1/2" hose adapter included.

# PoolCo USA



## Waterway Concrete Main Drains

Waterway's wide selection of pool drains and drain covers simplifies installation for new or existing pools and spas. We manufacture our drain bodies in PVC for better glue joints or threaded connections. Always use two or more drains per pump.



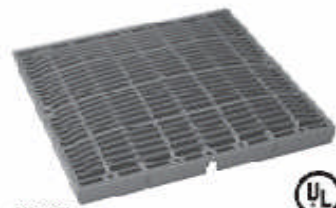
640-2320



640-2520



640-2310



640-4700



### Bottom x Bottom Main Drains

| Part No. | Description               | Color | Case Qty. | Price |
|----------|---------------------------|-------|-----------|-------|
| 640-2320 | Anti-vortex 1 1/2" Socket | White | 6         | 38.00 |
| 640-2321 | Anti-vortex 1 1/2" Socket | Black | 6         | 38.00 |

### Side x Bottom Main Drains

|          |                           |       |   |       |
|----------|---------------------------|-------|---|-------|
| 640-2420 | Anti-vortex 1 1/2" Socket | White | 8 | 34.00 |
| 640-2520 | Anti-vortex 2" Socket     | White | 8 | 34.00 |
| 640-2550 | Anti-vortex 2" FPT        | White | 8 | 34.00 |

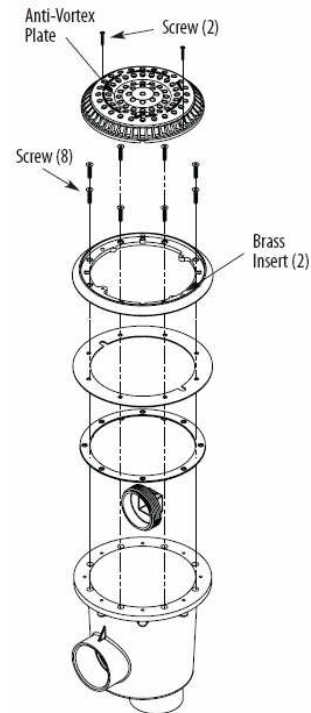
### Cover & Frames - Misc. Main Drains

|              |                                     |             |    |        |
|--------------|-------------------------------------|-------------|----|--------|
| 640-2310     | Anti-vortex Cover & Frame           | White       | 25 | 18.00  |
| 640-2311     | Anti-vortex Cover & Frame           | Black       | 25 | 18.00  |
| 640-2312     | Anti-vortex Cover & Frame           | Bone        | 25 | 18.00  |
| 640-2317     | Anti-vortex Cover & Frame           | Gray        | 25 | 18.00  |
| 640-2319-DKG | Anti-vortex Cover & Frame           | Dark Gray   | 25 | 18.00  |
| 640-2319-BEI | Anti-vortex Cover & Frame           | Beige (Tan) | 25 | 18.00  |
| 640-2319-DKB | Anti-vortex Cover & Frame           | Dark Blue   | 25 | 18.00  |
| 640-3110     | 10" A/V Pool Cover & Frame          | White       | 30 | 32.00  |
| 640-3111     | 10" A/V Pool Cover & Frame          | Black       | 30 | 32.00  |
| 640-3117     | 10" A/V Pool Cover & Frame          | Gray        | 30 | 32.00  |
| 640-3119-DKG | 10" A/V Pool Cover & Frame          | Dark Gray   | 30 | 32.00  |
| 640-3119-BEI | 10" A/V Pool Cover & Frame          | Beige       | 30 | 32.00  |
| 640-2410     | 8" Main Drain Std. W/ 2 1/2" x 8" S | White       | 1  | 63.00  |
| 640-2830     | Same as above but w/Adj. Collar     | White       | 1  | 73.00  |
| 672-2610     | 8" Deep Sump M.D. 2 1/2" x 8" S     | White       | 7  | 14.00  |
| 640-4700     | 9" x 9" Grate & Frame               | White       | 18 | 70.00  |
| 640-4701     | 9" x 9" Grate & Frame               | Black       | 18 | 78.00  |
| 640-4707     | 9" x 9" Grate & Frame               | Gray        | 18 | 78.00  |
| 640-4709-DKG | 9" x 9" Grate & Frame               | Dark Gray   | 18 | 78.00  |
| 640-4709-BEI | 9" x 9" Grate & Frame               | Beige (Tan) | 18 | 78.00  |
| 640-4730     | 9" x 9" Universal Grate             | White       | 18 | 52.00  |
| 640-4720     | 12" x 12" Grate & Frame             | White       | 14 | 106.00 |
| 640-4721     | 12" x 12" Grate & Frame             | Black       | 14 | 118.00 |
| 640-4727     | 12" x 12" Grate & Frame             | Gray        | 14 | 118.00 |
| 640-4729-DKG | 12" x 12" Grate & Frame             | Dark Gray   | 14 | 118.00 |
| 640-4729-BEI | 12" x 12" Grate & Frame             | Beige (Tan) | 14 | 118.00 |
| 640-4740     | 12" x 12" Universal Grate           | White       | 14 | 72.00  |

# PoolCo USA

## Vinyl Main drains

Waterway's Wide selection of pool drains and drain covers simplifies installation for new or existing pools and spa's. Main drain sump bodies are PVC, better for plastic gluing sockets and threading adapters than ABS. Vinyl liner main drains come with a stay-in-place gasket, eliminating the need to glue a gasket to the body before installation. Always use two or more drains per pump.



| Waterway® Vinyl Liner Main Drains |                           |       |       |
|-----------------------------------|---------------------------|-------|-------|
| Part No.                          | Description               | Color | Price |
| 640-2660                          | Anti-Vortex 1 1/2" Socket | White | 38.00 |
| 640-2667                          | Anti-Vortex 1 1/2" Socket | Gray  | 41.00 |
| 640-2750                          | Anti-Vortex 2" Socket     | White | 41.00 |



Vinyl Main Drain w/ 8" Galaxy Lid & Ring  
 8 per box  
 25515-000  
 • 2" Side Opening, 2" Bottom Opening  
 • Includes Bushings & Plug  
 • Extra Deep Threads for Easy Pressure Testing  
 • 95 GPM (Floor Only)  
**Replacement Gasket**  
 25515-000-011  
**Replacement Lid**  
 25507-100-010

VGB 2008 USPC

| CMP® Vinyl Liner Main Drains |   |       |       |
|------------------------------|---|-------|-------|
| Part No.                     | Description   | Color | Price |
| 25515-000                    | 1 1/2" & 2" Combo Vinyl/FG Pool Main Drain                | White | 41.00 |
| 25515-001                    | 1 1/2" & 2" Combo Vinyl FG Pool Main Drain                | Grey  | 41.00 |
| 25597-100                    | Replacement VGB drain cover-Fits <b>SP1048 Hayward</b>    | White | 18.00 |
| 255                          | Above Hay. repl. VGB drain cover <b>with</b> adapter ring | White | 21.00 |

# PoolCo USA



## Waterway Fittings

### Deluxe return fitting assy 1" eyeball (with Gasket)

| Part No. | Description | Case Qty. | Color | Price |
|----------|-------------|-----------|-------|-------|
| 550-9340 | bulk packed | 45        | White | 10.00 |



1" Eyeball  
(400-1410E)

### Return wall fitting Assy (with nut & Gasket) 1 1/2" FPT thru

| Part No. | Description | Case Qty. | Color | Price |
|----------|-------------|-----------|-------|-------|
| 400-9170 | bulk packed | 50        | White | 8.00  |
| 400-9177 | bulk packed | 50        | Gray  | 9.00  |



### 1" Eyeball Opening 1 1/2" MPT

| Part No.  | Case Qty. | Color | Price |
|-----------|-----------|-------|-------|
| 400-1410E | 125       | White | 3.00  |
| 400-1417E | 125       | Gray  | 3.50  |

### Grate Insert 1 1/2" MPT

| Part No. | Description | Color | Price |
|----------|-------------|-------|-------|
| 602-3160 | bulk packed | White | 2.75  |



### Steel wall Vinyl liner fitting Ass'y with combo spacer & locknut

| Part No.  | Description                | Case Qty. | Color | Price |
|-----------|----------------------------|-----------|-------|-------|
| 400-9160B | 1 1/2" FPT x 1 1/2" FPT    | 25        | White | 9.95  |
| 400-9060B | 1 1/2" FPT x 1 1/2" Socket | 25        | White | 9.95  |
| 400-9067B | 1 1/2" FPT x 1 1/2" Socket | 25        | Gray  | 12.00 |



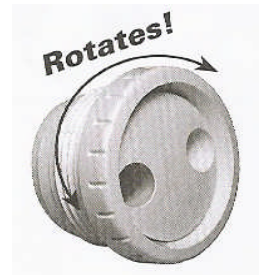
### Wall Fitting Escution

| Part No. | Description | Case Qty. | Color | Price |
|----------|-------------|-----------|-------|-------|
| 218-1440 | bulk packed | 200       | White | 2.00  |
| 218-1447 | bulk packed | 200       | Gray  | 2.50  |



### Spa Rotating Therapy Massage Jet 1 1/2" MPT

| Part No. | Description         | Case Qty. | Color | Price |
|----------|---------------------|-----------|-------|-------|
| 212-9170 | Individually Bagged | 50        | White | 22.00 |
| 212-9177 | Individually Bagged | 50        | Gray  | 22.00 |



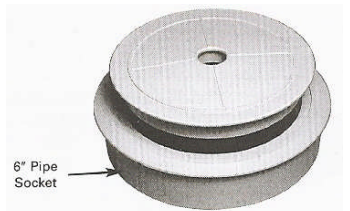
### Directional Eye for Spas (same as Hydro-Air 5100 series)

| Part No. | Description         | Case Qty. | Color | Price |
|----------|---------------------|-----------|-------|-------|
| 210-4120 | 1 1/2" S x 1 1/2" S | 24        | White | 22.00 |



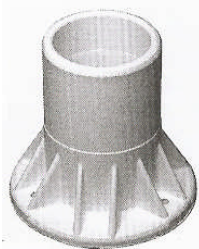
### 6" Valve Niche Ass'y (Cover & Flange)

| Part No. | Description         | Case Qty. | Color | Price |
|----------|---------------------|-----------|-------|-------|
| 540-3160 | Individually Bagged | 30        | White | 14.00 |



### Ladder Flange with Support Opening - While Supplies Last

| Part No. | Description | Case Qty. | Color | Price |
|----------|-------------|-----------|-------|-------|
| 429-4020 | Bulk packed | 175       | White | 3.00  |
| 429-4027 | Bulk packed | 175       | Gray  | 3.00  |



# PoolCo USA



## Valves & Unions



| TruSeal 3-Way Diverter Valves |                                      |       |
|-------------------------------|--------------------------------------|-------|
| Part No.                      | Description                          | Price |
| 600-7100-CPVC                 | 2" Socket x 2 1/2" Spigot- CPVC Body | 72.00 |
| 600-7200-CPVC                 | 1 1/2" Socket x 2" Spigot- CPVC Body | 68.00 |



| TruSeal 2-Way Diverter-Straight Body |                                      |       |
|--------------------------------------|--------------------------------------|-------|
| Part No.                             | Description                          | Price |
| 600-7060-CPVC                        | 2" Socket x 2 1/2" Spigot- CPVC Body | 64.00 |
| 600-7070-CPVC                        | 1 1/2" Socket x 2" Spigot- CPVC Body | 59.00 |

| TruSeal 2-Way Diverter-90° Body |                                   |       |
|---------------------------------|-----------------------------------|-------|
| Part No.                        | Description                       | Price |
| 600-7040-CPVC                   | 2" Socket x 2 1/2" Spg- CPVC Body | 64.00 |
| 600-7050-CPVC                   | 1 1/2" Socket x 2" Spg- CPVC Body | 59.00 |



| TruSeal Check Valve-Straight Body |  |       |
|-----------------------------------|--|-------|
| Part No.                          | Description                                | Price |
| 600-7010                          | 2" Socket x 2 1/2" Spigot- Black CPVC Body | 54.00 |
| 600-7030                          | 1 1/2" Socket x 2" Spigot- Black CPVC Body | 48.00 |

| TruSeal Check Valve-90° Body |  |       |
|------------------------------|--|-------|
| Part No.                     | Description                                | Price |
| 600-7000                     | 2" Socket x 2 1/2" Spigot- Black CPVC Body | 54.00 |
| 600-7020                     | 1 1/2" Socket x 2" Spigot- Black CPVC Body | 48.00 |

| Miscellaneous Valves & Unions |  |       |
|-------------------------------|--|-------|
| Part No.                      | Description                                    | Price |
| 6101                          | 1 1/2" Deluxe Gate Slice Valve- S x S Valterra | 15.00 |
| 6201                          | 2" Deluxe Gate Slice Valve- S x S Valterra     | 23.00 |
| 11378                         | Astral Ball Valve- 1 1/2" Socket x MIP         | 22.00 |
| 15695                         | Astral Ball Valve- 2" Socket x Socket          | 26.00 |
| 2161                          | 1 1/2"/2" 3-Way PVC Valve- S x S x S -Valterra | 39.00 |
| 80UN15                        | 1 1/2" Schedule 80 Union- S x S x Union        | 13.00 |
| 80UN20                        | 2" Schedule 80 Union- S x S x Union            | 16.00 |
| 40UN15                        | 1 1/2" Schedule 80 Union- S x S x Union        | 10.00 |
| 40UN20                        | 2" Schedule 40 Union- S x S x Union            | 14.00 |

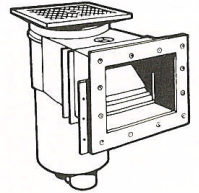
# PoolCo USA

## Circulation Fittings

### *In-Ground (Vinyl/Fiberglass) Skimmers*

| Model No. | Description                 | Pipe Size  | Cover Style | Throat Length | Price  |
|-----------|-----------------------------|------------|-------------|---------------|--------|
| SP108410M | Auto Skim Series            | 1 1/2" FIP | Square      | 8 1/2"        | 169.00 |
| SP108520M | Auto-Skim Wide Track Series | 1 1/2" FIP | Square      | 9 1/4"        | 199.00 |
| SP1097    | Auto-Skim PT & Econ. Series | 1 1/2" FIP | Round       | 12 1/2"       | 139.00 |

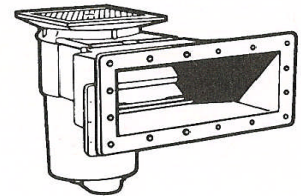
\* All skimmers are packed with a face plate, gaskets, and screws.



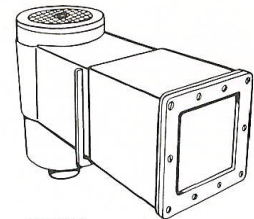
SP10841

### *Skimmer Accessories*

| Model No | Description                                   | Price |
|----------|---|-------|
| SP1084F  | Face plate cover-"Snap On," for SP1084- white | 8.50  |
| SP1085F  | Face plate cover-"Snap On," for SP1085- white | 10.00 |
| SP1084P1 | Extension collar for SP1084 and SP1085        | 10.00 |
| SP1106   | Vac Plate w/ rubber gasket for large skimmers | 14.00 |



SP108510M



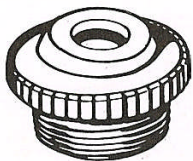
SP1097

### *Main Drains ASME/ANSI-VGB Compliant*

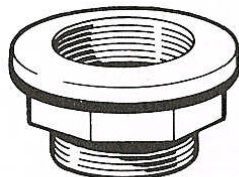
| Model No.      | Type                        | Size  | Price |
|----------------|-----------------------------|-------|-------|
| WG1048AV- Pair | (2) Vinyl/Fiberglass Drains | 1-1/2 | 96.00 |

### *Pool Fittings*

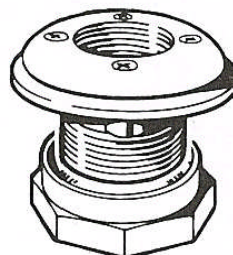
| Model No.   | Pipe Size           | Description                             | Price |
|-------------|---------------------|---|-------|
| SP1419C,D,E | 1 1/2" MIP          | Hydro stream 1/2", 3/4", 1 opening      | 2.75  |
| SP1023      | 1 1/2" FIP          | Fitting with locknut and gaskets        | 8.00  |
| SP1408      | 1 1/2" x 1 1/2" FIP | Locknut/spacer with face thread in body | 9.95  |
| SPX1091Z7   | 1 1/2" MIP          | Male adapter 1 1/2"/1 1/4" combo hose   | 1.50  |



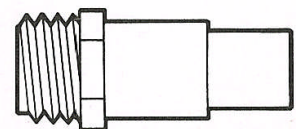
SP1419D



SP1023



SP1408



SPX1091Z7

# PoolCo USA

## LASCO® Fittings, Inc.

### Schedule 40 PVC Fitting

| Part No.                       | Description                       | Size                   | Case qty. | Price |
|--------------------------------|-----------------------------------|------------------------|-----------|-------|
| 401-015                        | Tee (slip x slip x slip)          | 1 1/2"                 | 25        | 1.77  |
| 401-020                        | Tee (slip x slip x slip)          | 2"                     | 25        | 2.57  |
| 401-025                        | Tee (slip x slip x slip)          | 2 1/2"                 | 10        | 8.48  |
| 401-030                        | Tee (slip x slip x slip)          | 3"                     | 10        | 11.13 |
| 402-209                        | Reduce Tee (slip x slip x FIPT)   | 1 1/2" x 1 1/2" x 1/2" | 25        | 3.40  |
| 402-210                        | Reduce Tee (slip x slip x FIPT)   | 1 1/2" x 1 1/2" x 3/4" | 25        | 3.40  |
| 406-015                        | 90 Ell (slip x slip)              | 1 1/2"                 | 25        | 1.33  |
| 406-020                        | 90 Ell (slip x slip)              | 2"                     | 25        | 2.08  |
| 406-025                        | 90 Ell (slip x slip)              | 2 1/2"                 | 10        | 6.33  |
| 406-030                        | 90 Ell (slip x slip)              | 3"                     | 10        | 7.58  |
| 407-015                        | 90 Combo (FIPT x slip)            | 1 1/2"                 | 25        | 1.72  |
| 409-015                        | 90 Street Ell (sp x slip)         | 1 1/2"                 | 25        | 2.75  |
| 410-015                        | 90 Street Ell (MIPT x slip)       | 1 1/2"                 | 25        | 2.18  |
| 411-015                        | 90 Street Ell (sp x FIPT)         | 1 1/2"                 | 25        | 2.71  |
| 417-015                        | 45 Ell (slip x slip)              | 1 1/2"                 | 25        | 1.87  |
| 417-020                        | 45 Ell (slip x slip)              | 2"                     | 25        | 2.44  |
| 417-025                        | 45 Ell (slip x slip)              | 2 1/2"                 | 10        | 6.34  |
| 417-030                        | 45 Ell (slip x slip)              | 3"                     | 10        | 9.85  |
| 429-015                        | Coupling (slip)                   | 1 1/2"                 | 25        | .81   |
| 429-020                        | Coupling (slip)                   | 2"                     | 25        | 1.25  |
| 429-025                        | Coupling (slip)                   | 2 1/2"                 | 10        | 2.75  |
| 429-030                        | Coupling (slip)                   | 3"                     | 10        | 4.31  |
| 429-251                        | Reducer Coupling (slip)           | 2" x 1 1/2"            | 10        | 2.78  |
| 435-015                        | Female Adaptor (slip x FIPT)      | 1 1/2"                 | 25        | 1.02  |
| 435-020                        | Female Adaptor (slip x FIPT)      | 2"                     | 25        | 1.37  |
| 435-025                        | Female Adaptor (slip x FIPT)      | 2 1/2"                 | 10        | 3.46  |
| 435-030                        | Female Adaptor (slip x FIPT)      | 3"                     | 10        | 4.65  |
| 436-015                        | Male Adaptor (MIPT x slip)        | 1 1/2"                 | 25        | 1.02  |
| 436-020                        | Male Adaptor (MIPT x slip)        | 2"                     | 25        | 1.34  |
| 436-025                        | Male Adaptor (MIPT x slip)        | 2 1/2"                 | 10        | 3.94  |
| 436-030                        | Male Adaptor (MIPT x slip)        | 3"                     | 10        | 5.77  |
| 437-210                        | Reducer Bushing (sp x slip)       | 1 1/2" x 3/4"          | 25        | .94   |
| 437-292                        | Reducer Bushing (sp x slip)       | 2 1/2" x 2"            | 10        | 2.49  |
| 437-338                        | Reducer Bushing (sp x slip)       | 3" x 2"                | 10        | 3.68  |
| 437-339                        | Reducer Bushing (sp x slip)       | 3" x 2 1/2"            | 10        | 3.68  |
| 438-209                        | Reducer Bushing (sp x FIPT)       | 1 1/2" x 1/2"          | 25        | 1.65  |
| 438-210                        | Reducer Bushing (sp x FIPT)       | 1 1/2" x 3/4"          | 25        | 1.65  |
| 438-251                        | Threaded Bushing (MIPT x FIPT)    | 2" x 1 1/2"            | 10        | 2.75  |
| <b>Insert Fittings-pvc</b>     |                                   |                        |           |       |
| 1401-015                       | Tee (insert)                      | 1 1/2"                 | 10        | 2.85  |
| 1406-015                       | 90 Ell (insert x insert)          | 1 1/2"                 | 10        | 1.86  |
| 1407-015                       | Combo Reducer 90 Ell (ins x FIPT) | 1 1/2" x 1 1/2"        | 10        | 2.76  |
| 1413-015                       | Combo 90 Ell (insert x MIPT)      | 1 1/2"                 | 10        | 4.20  |
| 1429-015                       | Coupling (insert x insert)        | 1 1/2"                 | 20        | 1.17  |
| 1435-015                       | Female Adaptor (insert x FIPT)    | 1 1/2"                 | 15        | 4.36  |
| 1436-015                       | Male Adaptor (insert x MIPT)      | 1 1/2"                 | 20        | 1.17  |
| <b>Schedule 80 PVC Nipples</b> |                                   |                        |           |       |
| 215-017                        | Nipples                           | 1 1/2" x close         | 25        | 1.01  |
| 215-040                        | Nipples                           | 1 1/2" x 4"            | 25        | 2.60  |
| 215-060                        | Nipples                           | 1 1/2" x 6"            | 25        | 3.44  |
| 215-080                        | Nipples                           | 1 1/2" x 8"            | 25        | 4.12  |
| 215-120                        | Nipples                           | 1 1/2" x 12"           | 25        | 5.03  |

### Tee



(slip x slip x slip)

### 90 Ell



(slip x slip)

### 45 Ell



(slip x slip)

### Coupling



(slip)

### Female Adaptor



(slip x FIPT)

### Tee



(insert)

### Male Adaptor



(insert x MIPT)

Orders of 2 cases or more receive an additional discount – we have other sizes of above nipples.