



2015 Wholesale Catalog

*Tel : (574) 535-0000 Fax : (574) 535-0100
E-mail: contactus@poolcousa.com*



“Serving Professional Dealers of the Midwest”

PoolCo



717 Saint Joseph Drive #324

Saint Joseph, Michigan 49085

Tel : (574) 535-0000 Fax : (574) 535-0100

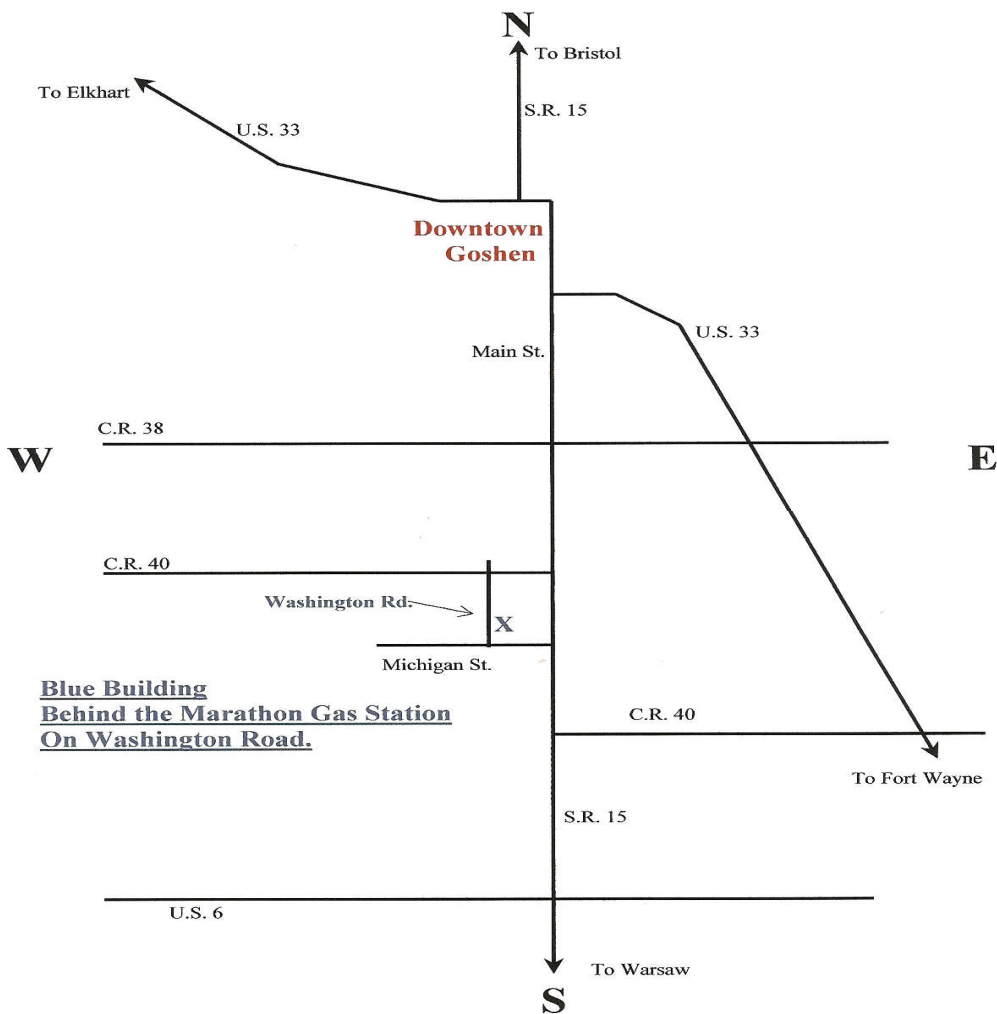
Website: www.poolcousa.com

Email: contactus@poolcousa.com

**Service & Pickup Location: Washington Road
(see map below) Goshen, Indiana**

Hours: Monday- Friday 9:00am-5:00pm

Saturday Open by Appointment





January 2015

Greetings from PoolCo USA,

We are pleased to announce the 13th year anniversary of our distribution warehouse facility serving the Midwest. Our large selection, well stocked year-round inventory and in-field experience has positioned us to enter market areas throughout the Midwest. Our cash & carry program is providing a huge savings to our dealers. With my 41 years of experience in sales, construction, and wholesale swimming pool marketing, we are in a unique position to assist all dealers, especially new business startups. Very few distributors have taken the time or the effort to guide a new dealer in the most crucial aspects of starting a new business. We have the years of experience in every area of their endeavor. Many sales representatives and even distribution managers have never installed a pool or may have no prior experience within our industry. However, all of our sales staff and even our warehouse workers have expertise in both service and installation of pools. You will find that we are able to help you in whatever growth stage you are in.

We hope that we will be able to make your business transactions with us more profitable, efficient and enjoyable. If there are any questions, please contact the customer service department or feel free to call me personally on my cell (**574-536-5681**) for additional information or after hour emergencies. As you look through our catalog you will find many new additions and code changes. If you are installing a main drain you **must** comply with the federal requirement of a minimum of **2** approved drains. You may opt out of installing any drains, particularly in some shallow installations as some companies have done in the past with little sacrifice of water circulation quality. We also have the ability to ship **all** stocked pool sizes and types in **all grey fittings, coping, stairs and diving equipment** **all** the time. We now have **190+** cartridge types **in stock**, possibly the largest Midwest inventory. We have added a promising new specialty chemical line ***Sea Klear***. The clarifying Pods have exceptional performance with cloudy pools due to dead algae residual. We have replenished our stock on liner vacuums and ***Cyclone*** 3 stage high performance blowers which were in high demand.

Last season, we experienced modest across the board price increases and this year so far pricing has stabilized. Exceptions are anything related to trucking and LTL loads of which freight has risen about 20%. Those products most affected are sand, solar covers and vermiculite. However, we will always try to keep our prices the same throughout the year especially during these times of economic uncertainty. When we experience in season price increases, we usually try to pass them on in the next season's pricing. Also, due to requests and for its beauty we are stocking 90° fiberglass corner stairs with matching 2' in-wall ladders in **grey marble** fiberglass. They are beautiful and very strong. We are also stocking ADA commercially mandated pool lifts for the handicapped. Wishing you all a successful and profitable 2015 season and we hope to hear from you soon.

Sincerely,

A handwritten signature in cursive script that reads "Gary Rogel".

Gary L. Rogel
General Manager

PoolCo USA

Terms & Conditions

PoolCo USA offers the following terms and conditions in hopes that it will make your business transactions with us more profitable, efficient and enjoyable. Read all of the information carefully, and if there are any questions, please contact the customer service department for clarification. We are **wholesale only** and do not sell to the general public. If you are not a dealer, please contact us so we can direct you to one near you.

Terms & Policy:

In order to offer you the lowest possible price we have structured our discount rate to reflect a **cash and carry** price. Because of this policy, our prices reflect a much lower wholesale cost. Any account with an NSF returned check will be placed on a cash payment status. Please make all checks payable to our financial processing center: **Michiana Financial LLC**

Pick-up & Shipping Policy:

All Pool kit pick-ups must have a minimum 24 hour notification to plan and pull material. **All pool, liner and A/C system orders must be detailed in writing.** All Automatic covers and system orders **must** have customer's name and address with the order for warranty and future reorders. Please order kit liners that are not stocked prior to the pool package pick up so we can ship them with the kit. Small orders can be picked up anytime during business hours but try to call ahead so we can pull inventory. We have daily UPS shipping with most of our area receiving next day service. Contact us for available pool kit job-site delivery service costs and other special services.

Return of Goods:

Merchandise cannot be returned without prior authorization. All returned merchandise must be new and unused (exception: defective merchandise). Returned items may be subject to a 15% restocking charge. **Special orders** and **electrical parts** are **not** subject to return. To obtain authorization, contact the customer service department.

Pricing Schedule:

The price is structured for you to receive a standard flat discount for all categories listed in this catalog, **except** where it is noted such as liquid chlorine and SunMar products. Most original factory replacement parts carry a different discount. Please contact customer service for current pricing. Volume and floor stocking plans shipped to one location may be eligible for additional discounts. All prices are subject to change without notice due to the volatility of the markets and unstable economic conditions.

Your cash and carry discount is _____% off the published trade price.

This Catalog is reserved exclusively for _____.

PoolCo USA

Table of Contents

3-Way Valve	15-6
AB Measuring Instructions	20-11,12,13
Acid	1-2
Air Blowers	17-13
Air Mattresses	4-1
Air Pillows	20-5
Air Pumps	4-1
Air Switches	21-1
Adhesives	13-1
Algaecide	1-2,3,4
Alarms	13-5
Anchors	13-3
Antifreeze	20-5
Automatic Chlorinators	3-5, 16-1,2,3
Automatic Pool Cleaners	5-1
Automatic Controllers	16-4,5
Automatic Covers & Parts	9-1,2
Automatic Cover Coping	8-4
Automatic Cover Pump	17-12
Backwash Hoses	3-2
Basketball Game	11-3
Baskets	3-5, 22-12,13
Bead Lock	21-1
Bead Receiver	21-1
Bearings	22-7
Blowers	17-13
Boats	4-1
Bolts	8-2
Braces	8-2
Brochures, I/G Steel	8-2
Bromine	1-1,4
Brushes	3-3
BugBands - Insect Repellant	4-2
Bulbs, Replacements	14-4
Buoys	13-5
Butterfly Clips	3-5
Cantilever Forms	13-2
Capacitors	21-1
Cartridge Filter	18-9
Cartridges	22-8,9,10,11
Caulk	13-1
Cement, PVC	13-9
Check Valves	15-6
Chemicals	1-ALL
Chemical Floaters	3-5
Chemical Tanks	16-7
Chlorinators	3-5,16-1,2,3
Chlorine	1-1,2,4
Clamps	13-1
Cleaner, PVC	13-1
Cleaning Equipment	3-1,3
Control Joints	13-2
Coping	8-5
Cove	13-1
Cyanuric Acid	2-1
Deck Drains	13-2
Deck Equipment	11-3,12-1,2
Deck Jets	13-6
DE Filters	18-2,4,10,11
DE Powder	1-2
DE Scoops	1-2
Dig Style Details	S-3
Diving Boards	11-3
Diving Stand	11-3

Directional Eye	15-5,7
DPD Test Tablets	2-1
Drain Rite	13-2
Drainer Pumps	17-12
Duct Tape	13-1
Ear Plugs	4-1
Engineering Data	A-ALL
Enzymes	1-2
Equipment Pads	13-7
Epoxy Stick	13-1
Escutcheons	13-3
Eye Ball Fitting	15-5
Eye Ball Removal Tool	21-1
Fiber-Optics	14-1
Filters	18-ALL
Filter Grids	22-11
Filter Hose	3-2
Fins	4-1
Fittings, Pipe	15-8
Fittings, Wall	3-5
Fix-A-Leak	13-1
Flanges	13-3
Floaters	3-5
Flow-meters	16-6
Forms	13-2
Fountains	13-6
Fulcrum	21-1
Games	4-1, 11-3
Gate Valves	15-6
Gauges	21-1
Gaskets	22-14
Gizmos	20-5
Glue	13-1,8
Goggles	4-1
GO-Kits	22-18
Grate (wall fitting)	15-5
Grids	22-11
Handrails	12-1,2
Hangers	3-4
Heat Pumps	19-3,4
Heaters	19-1,2,3,4
Heating Element	6-2
Heater, Vent Kits	19-1,2
Hef-T Pads	13-7
Hooks	13-3
Hoses	3-2
Hydrotherapy Fittings	15-5, 21-1
Inflatable Boats	4-1
Inflatable Pools	4-1
Inflatable Toys & Rafts	4-1
In-wall Ladders	11-2
Ionizers	12-3
Ion Test Supplies	12-3
Jacks Magic	1-3
Joints, Control & Expansion	13-2
Junction Box	14-3
Ladders, I/G	12-1,2
Ladders, A/G	12-3
Ladder Bumpers	21-1
Ladder Parts	21-1
Ladder Treads	21-1
Leaf Bagger	3-1
Leaf Rakes	3-3
Leaf Skimmers	3-3

PoolCo USA

LED Lighting	14-1,2,3,4
Life Rescue Hook	3-4
Life Ring	13-5
Lights	14-1,2,3
Light Bulbs	14-4
Liners, A/G	10-3
Liners, A/G Stocked Styles	S-1,2
Liners, I/G	10-1,2
Liners, I/G Stocked Styles	S-4,5,6,7
Liner Guard	21-1
Liner Lock	21-1
Liner Rod Clips	21-1
Liner Vacuums	17-13
Liquid Chlorine Shock	1-1
Loungers	4-1
Main Drains	15-3,4
Maintenance Equipment	2-ALL, 3-ALL
Masks	4-1
Mesh Covers	20-6,7,8
Miscellaneous Parts	21-1
Mortex	13-2
Motors	22-1 thru 6
Motor Bearings	22-7
Multi-Port Valves	18-3,4,7,12-17
Nature2 Spa Cartridge	1-2
Niches	14-2,3
Nose Pinch	4-1
Nuts & Bolts	8-3
O-rings	22-16,17
Ozone Sanitizer (Spa)	12-3
Pads	13-7
Paints	13-8
Patch Kits	3-5
Parts (All are listed in back)	23-ALL
Peristaltic Pumps	16-6,7
Pillows	20-5
Pipe	13-1
Pipe Fittings	15-8
Plast-Aid	13-1
Plugs	20-5
Polaris Cleaners	5-1
Poles	3-4
Pool Bond – Electrical Bond	13-3
Pool Drainer Pumps	17-12
Pool Enzymes	1-2
Pool Floats	13-5
Pool Kits- A/G	7-ALL
Pool Kits- I/G	8-1
Pool Signs	3-4
Pressure Gauges	21-1
Pressure Switches	21-1
Pumps	17-1 thru 13
Purifier	1-3
PVC Cement, Cleaner	13-9
Q-Vac	17-13
Reagents	2-1
Repair Kits	3-5
Replacement Cells – Salt	16-8
Rescue Hook	3-4
Return Fittings	15-5,7
Ring Buoys	13-5
Rod Clips	21-1
Rope Eyes	13-3
Ropes & Accessories	13-5
RO Kits	22-18
Sacrificial Anodes	13-4
Safety Covers	20-6,7,8,9
Safety Covers- Stocked styles	S-9-10
Safety Equipment	13-5

Safety Turtle	13-5
Salt Chlorine Generators	16-6
Sand	1-2
Sand Filters	18-1,4,5,6,7,11,13
Sealants	13-1
Shaft Seals	22-7
Signs	3-4
Silicone Caulk	13-1
Skimmers	15,1,2,7
Slides	11-3
Slide Parts	21-1
Snorkels	4-1
Solar Blankets	20-1
Solar Fish	19-5
Solar Floats	19-5
Solar Reels	20-2
Solar Heaters	20-1
Solid Covers	20-9,10
Spa Cover Order Form	6-1
Spa Chemicals	1-ALL
Spa Equipment	6-2,3
Spider Gasket Replacement	18-14
Spray Glue	13-1
Spray Kit (Slide)	21-1
Steel Wall pool Kits	8-1
Steel Panels	8-2
Steel, A/C Troughs	8-4
Steel Accessories	8-3
Steps & Stairs	8-4; 11-1,2
Steps, A/G	12-3
Strap kits	20-2
Switches	21-1
Swim Cap	4-1
System	13-2
Teflon Tape	13-1
Test Kits	2-1
Test Refills	2-1
Test Strips	2-2
Thermometers	3-4
Thermostat	21-1
Throw-lines	13-5
Timers	18-8
Toilets	21-2
Toys	4-1
Unions	15-6
Vacuum Heads	3-1
Vacuum Hoses	3-2
Vacuum, Liners	17-13
Vacuum Plates	3-1
Vacuum Poles	3-4
Valves	15-6
Vent Kits	19-1,2
Vermiculite	13-1
Vinyl Repair Kits	3-5
Volleyball Game	11-3
Wall Fittings	15-5,7
Wall Foam	13-1
Water Monitors	16-5
Water Tubes	20-5
Winterizing Accessories	20-5
Winter plugs	20-5
Winter Covers	20-3 Thru 6
Winter Covers, A/G	20-4
ZeoBrite	1-2
*All Parts Listed In Back	23-ALL

PoolCo USA



Pool Chemicals

Item No.	Description	Case Qty.	Cost Each
<i>Maintain Chlorinating Granules</i>			
4-1502	2 lb.	12	14.00
4-1505	5 lb.	6	35.00
4-1509	9 lb. Not Stocked	4	60.00
4-1516	16 lb. Not Stocked	1	99.00
4-1525	25 lb.	1	149.00
4-1550	50 lb. Not Stocked	1	294.00
<i>Maintain Chlorinating Tablets (1")</i>			
4-0602	2 lb.	12	14.00
4-0605	5 lb.	6	35.00
4-0609	9 lb.	4	59.00
4-0616	16 lb.	1	96.00
4-0625	25 lb.	1	139.00
4-0650	50 lb. Not Stocked	1	276.00
<i>Maintain Chlorinating Tablets (3")</i>			
4-2710	4.375 lb.	6	29.00
4-2716	7 lb. Not Stocked	4	46.00
4-2732	14 lb.	1	84.00
4-2756	25 lb. Heavily Stocked	1	Special 120.00
	6+ above 25# buckets – additional 10% discount	6+	108.00
4-2700	50 lb. Not Stocked	1	270.00
<i>Maintain Chlorinating Sticks</i>			
4-3804	4 lb.	6	28.00
4-3808	8 lb.	4	54.00
4-3822	22 lb. Not Stocked	1	135.00
<i>Maintain Bromine Tablets</i>			
BROM25	25 lb.	1	175.00
BROM50	50 lb.	1	320.00
<i>Maintain Spa Chemicals</i>			
4-2001	1.75 lb. - Spa Bromine Tablets	12	22.00
4-2005	4.5 lb. - Spa Bromine Tablets	8	56.00
4-2070	1 lb. PH Plus	12	3.95
4-2055	Scum Out 1 qt.	12	14.95
<i>Pool Shock</i>			
4-4001	Shock Treatment 1 lb.	24	4.50
4-4005	Shock Treatment 5 lb. Not Stocked	6	20.95
4-4025	Shock Treatment 25lb.	1	99.00
4-3101	Oxy-Plus Shock 1 lb. Bag	12	5.50
LC-4	Liquid Chlorine Shock 12.5% 4 gal – non return Skid qty. 48 Price subject to market conditions	4	Call for Quote Full cases only

PoolCo USA

More Chemicals & Specialty Items

Item No.	Description	Units per Case	Cost per Unit
Algaecides			
4-5810	7.5 & 10% Algaecide 1 gal.	4	11.00
4-5830	30% Non-Foam Algaecide 1 qt.	12	14.00
4-5850	60% Algaecide 1 qt.	12	26.00
4-5811	11% Copper Algaecide 1 qt.	12	16.00
Pool Maintenance Chemicals			
4-5001	pH Plus 2 lb.	12	4.50
4-5005	pH Plus 5 lb.	6	8.95
4-5015	pH Plus 15lb.	1	24.00
4-5301	pH Minus 1.5 lb.	12	4.50
4-5307	pH Minus 3 lb.	6	6.95
4-5205	Alkalinity Plus 5 lb.	6	8.95
4-5209	Alkalinity Plus 9 lb.	4	15.95
4-5507	Calcium Plus 7 lb.	4	12.95
4-5101	Stabilizer 1-1/2 lb.	12	7.50
4-5104	Stabilizer 4 lb. (powder form)	6	16.00
4-5405	Flocculants 5 lb.	6	14.95
4-5700	Clarifier 1 qt.	12	9.95
4-5730	Clarifier- Super Concentrate Blue- 1 qt.	12	12.95
4-8000	Metal Control 1 qt.	12	10.00
4-5600	Tile and Vinyl Cleaner 1 qt.	12	7.95
4-7000	Phosphate Remover 1 qt.	12	15.95
ACID	Muriatic Acid 1 gal.	4	8.95
Filter Elements & Accessories			
DE-10	Diatomaceous Earth 10 lb. Bag		12.00
DE-25	Diatomaceous Earth 25 lb. Bag 10% Disc. for pallet		26.00
DE-50	Diatomaceous Earth 50 lb. Bag		48.00
EZ-1	E-Z Scoop (Dispensing DE) 1 scoop for every 5 sq. ft.		5.00
20660	Nature 2 spa cartridge		42.00
SAND	Sand(.45mm-.55mm) 50# Plastic bag 10% Disc. for pallet		15.00
ZB-25	ZeoBrite-25 lb. bag		22.00
ZB-50	ZeoBrite-50 lb. bag		39.00
ZB-2580	ZeoBrite-25 lb. Bag- Pallet Qty (80) @ Special Cost		1,350.00
ZB-5040	ZeoBrite-50 lb. Bag- Pallet Qty (40) @ Special Cost		1,250.00
IPS Enzymes			
96006	Pool Maintenance- 1 Liter- 1oz. Treats 2000 gal.	12	18.95
96008	Pool Maintenance- 1 Liter Quadruple Concentrated 1oz treats 8000 gal	12	36.00
96025	Pool Medix- 1 Liter- 1oz. Treats 2000 gal.	12	19.95
96022	Pool Phos- Shock- 1 Liter- 1oz. Treats 2000 gal.	12	21.00
96028	Pool Phos-Shock- 16 oz.- 1oz. Treats 1000 gal.	12	12.00
96007	Pool Winterizer- 1 Liter	12	16.00
96026	Spa Maintenance- 1 Liter- 1oz. Treats 300 gal.	12	30.00
96004	Spa Maintenance- 16 oz.- 1oz. Treats 300 gal.	12	15.00
96020-1	Spa Maintenance- 1.3 oz. Pack- Treats 400 gal.	100	2.50

PoolCo USA



Part #	Description	Case Qty.	Cost
JMPINK032	The Pink Stuff- 32 oz.	12	26.75
JMBLUE032	The Blue Stuff- 32 oz.	12	29.95
JMPURPLE032	The Purple Stuff- 32 oz.	12	29.95
JMBLUEVINYL032	The Vinyl Liner Blue Stuff- 32 oz.	12	19.95
JMION032	The Ionizer Stuff- 32 oz.	12	23.95
JMNATCLEAN032	The Natural Clean Stuff- 32 oz.	12	19.95
JMSUPER032	The Super Stuff- 32 oz.	12	37.50
JMPURIFIBER15	Purifiber- 15 oz.	12	10.00
JMYELLOW/06	The Yellow Stuff 6 oz, packs	100	3.95
JMYELLOW2	The Yellow Stuff- 2 lb.	12	20.95
JMIRON1	The Iron, Cobalt & Spot Etching Stuff- 1 lb.	24	40.25
JMCOPPER05	The Copper & Scale Stuff- 5 lb.	4	40.50
JMALL032	All Fixed up Stuff- 32 oz.	12	17.50
JMSTEPSTUFF	The Step stuff Kits- 8 oz.	48	39.95
JMSTAINID	Stain ID Kit- 4 oz.	36	11.95
JMEMERALD032	Emerald Stuff- 32 oz.	36	16.50
JMDECK032	Deck Stuff- 32 oz. - While Supplies Last	12	11.50
JMTILE032	Tile Plus Stuff 32 oz.	12	13.25
JMPHOS-STOP	Phos stop plus 32 oz.	24	34.95
JMSURFACE02	Surface Magic- 2 oz.	12	8.75
JMMAGENTA032	The Magenta Stuff	12	29.00
JMJIB	Jack In A Box- Kit	6	59.95

Know Jack. No Stains.™
 Jack's Magic®, the leader in stain identification, removal and prevention.

Become a **Jack's Magic Certified Stain Specialist™**

The advertisement features a collection of Jack's Magic products against a blue, rippling water background. On the left, there are several boxes of 'Stain Identification Kit' for swimming pool stains. In the center, a bottle of 'the emerald stuff' is prominently displayed. To its right is a bottle of 'the vinyl liner blue stuff'. Further right is a large bottle of 'the step stuff' liquid, with a 'BEFORE' and 'AFTER' comparison showing the removal of a stain. On the far right, there are two smaller bottles of 'the step stuff' powder. At the bottom, there are boxes for 'O2 shock', 'iron cobalt & spot etching stuff', and 'copper & scale stuff'.

PoolCo USA



Mini Tabs- 1"		Price
951104	4.00 lb.	36.00
951108	8.00 lb.	69.00
Super Tabs- 3"		
951310	4.40 lb. (10 tablets)	40.00
951320	8.75 lb. (20 tablets)	70.00
951355	24.00 lb. (55 tablets)	139.00
Super Sticks		
957214	4.40 lb. (8 sticks)	40.00
957215	13.2 lb. (24 sticks)	110.00
957216	26.40 lb. (48 sticks)	N/A
Granular- Stabilized Chlorine		
951002	2 lb.	15.00
951005	5 lb.	40.00
951009	9 lb.	70.00
951025	25 lb.	149.00
Bromine- 1" Tablets		
958415	1.5 lb.	26.00
958413	4 lb.	52.00
958422	12 lb.	N/A
958424	24 lb.	195.00
Metal Controls		
953335	Scale & Stain- 32 oz.	12.00
Spa Chemicals		
959335	Brom Aid- 32 oz.	15.00
959402	Energize- 2 lb.	15.00
959353	Descummer- 16 oz.	10.00
959616	Defoamer- 16 oz.	9.00
959709	Spa-Shock 2 lb.	13.95
959910	Cartridge Cleaner 32 oz.	9.00
959911	Filter Free- 2 lb.	13.95
959365	Whirlpool Rinse 16 oz.	7.95
959735	Brightener 32 oz.	9.00
Water Softener & Salt Controls		
953078	Salt Saver- 10lb.	29.00
957725	Water Softener- Soft Tough Borate- 15lb.	69.00
Eclipse 3 Algaecide		
95732	2 lb. (Ideal for winterizing mesh covers)	28.00
95738	8.8lb. (Ideal for winterizing mesh covers)	85.00
95730	50 lb. (Ideal for winterizing mesh covers)	350.00

PoolCo USA

SeaKlear.

SeaKlear. Mighty Pods™ Cloudy Pool Cure

Clarifiers		Price
1160001	Cloudy Pool Care Pods 2-pack	20.99
SKP-C-Q	Natural Clarifier For Pools – Quart	23.99
1040400	Free & Clear – Quart	28.99
Metal Controls		
1110013	Metal Klear – Quart	26.99
1110014	Natural Stain Remover – 2 lb.	35.99
Pool Maintenance Chemicals		
SKA-B-Q	90 Day Algae Prevent & Remove Qt	29.99
1040105	Commercial Phosphate Remover Qt	63.99
SKL-T-C	Thick Tile & Vinyl Cleaner – Quart	19.99
1112000	Solar Shield – Quart	23.99



PoolCo USA

Testing Supplies

Test Kits		Price
B7228	3-Way OTO, Chlorine, Bromine, & pH Tests	8.50
B7448	5-Way OTO, Chlorine/Brm, pH, Alk, Acid Demand Tests	24.00
B7443	5-Way DPD, Chlorine/Brm, #1 & #3 tabs, pH, Alk and Acid Demand Tests	28.00
B7223	3-Way DPD, Free, Total, Combined Chlorine, Free Bromine pH- #1 & #3 Tablets	10.00
B7773	8-Way DPD, Same as above, with Cyanuric Acid Test, Hardness & Base Demand Tests	34.00
B7525	Cyanuric Acid Test 8oz. with testing tube w/Clear Box	22.00
B7234	4-Way, Chlr, Brm, pH, Alk, 50 Strips	9.00



Ocean Blue Test Kits (while supplies last)		Price
195010B	Test Kit	6.50
195020B	5 Way Test kit (pH, Cl, Alk, Acid Demand)	22.00
195020	Refill for 5 way test kit	9.00

Test Refills		Price
B7212C	OTO Solution 1/2 oz. & Phenal Red 1/2 oz. combo	3.75
B7021	OTO Solution 1/2 oz.	2.00
B7022	Phenal Red Solution 1/2 oz.	2.00
B7455	#1, #2, #3, Sol. 1oz., #4, #5 Sol. 1/2oz. 5-Way Refills	10.00
B7215	#1 DPD Rapid Dissolve (50 Tablets)	4.00
B7235	#3 DPD Rapid Dissolve (50 Tablets)	4.00
B7041	#1 Solution, Chlorine Test 1oz.	2.50
B7042	#2 Solution, pH Test, Phenol Red 1oz.	2.50
B7043	#3 Solution, Acid Demand & Total Alkalinity 1oz.	2.50
B7044	#4 Solution, Chlorine Neutralizer 1/2 oz.	2.00
B7045	#5 Solution, Total Alkalinity Tester 1/2 oz.	2.00
B7519	Bulk Cyanuric Acid Test Solution - 1 Quart	13.00



PoolCo USA



Part No.	Description	Price
481335-12	Chlorine Check (3 in 1)	7.95
481341-12	Deluxe Check (4 in 1)	8.95
481339-12	Premium Check (5 in 1)	9.95
481336-12	Bromine Check (3 in 1)	7.95
481348-12	Copper Check (3 in 1)	11.95
481349-12	Phosphate Check	18.95
482341	Salt Check	5.95
481347-12	Total Dissolved Solids Test (TDS)	11.95
487999	18 Minute Bacteria Test	23.95






The three simple components of Pool Check™ Phosphate:

- Sample Vial
- Color Chart
- Test Strips

Step 1:
Dip strip into vial for **20 seconds** with up and down motion, making sure both test pads are in contact with sample.

Step 2:
Remove strip from vial, place sample vial on white spaces between the colors on the chart. Viewing vial from top, match to closest color. Complete matching **within 30 seconds**.



Dip and Read Test

Results in 20 seconds

Detects 0 - 2500 ppb

Part Number: 481349

PoolCo USA

Maintenance & Cleaning Equipment

<i>Special VAC Heads</i>		
Item Number	Description	List Price
110	Vinyl liner pool vacuum	19.00
120	Concrete pool vacuum	32.00
SP1068	Hayward- Triangular vacuum head	70.00



Part No.	Description	Price
<i>Vacuum heads & Accessories</i>		
B5300.3	Blue Water Brush Vacuum	8.95
B5313.3	Blue Water Brush Vacuum, Weighted, Bulk	14.95
B5472.3	Blue Water Triangle Vacuum	24.00
B5601	See-Thru Triangle Vacuum, Carded	28.00
B5740.3	Blue Water 14" Flex Vacuum	25.00
B2585	Handle With Quick lock	3.75



Part #	Vac Heads	Price
13005B	Standard Vac head	7.00
130010B	Deluxe Vac Head	13.00
130020B	Flexible Vac Head	25.00
130040B	Vac Brush	20.00
130050B	Jet Vac	13.00
130070B	Leaf Eater w/ brushes & wheels	36.00
199008B	Leaf Eater Bags	9.50
130021B	14" Commercial Vac	52.00



<i>Leafbaggers</i>		Price
B5111	Swivel Wheel Leafbagger with Stabilizer Spring	35.00
B9101	Standard Fiberglass Mesh Bag (15" x 21")	9.50

Part#	VAC Plates	Price
SP1094D	Skim vacuum plate for 1094	11.00
SP1106	Skim vacuum plate for 1084	18.00
SP11041	Skin vacuum plate for 1090	17.00
8944	Vac Adaptor- Elbow & Plate	11.00

PoolCo USA

Hoses

Vacuum Hoses

Item Number	Description	Length	Price
Above-Ground			
65428	Forged Loop 1.25" Dia	18	26.00
65429	Forged Loop 1.25" Dia.	21	29.00
65430	Forged Loop 1.25" Dia.	24	33.00
65431	Forged Loop 1.25" Dia	27	36.00
65432	Forged Loop 1.25" Dia.	30	39.00
65433	Forged Loop 1.25" Dia.	36	45.00
In-Ground			
65436	Forged Loop Type 1.5" Dia.	25	40.00
65437	Forged Loop Type 1.5" Dia	30	47.00
65438	Forged Loop Type 1.5" Dia	35	54.00
65439	Forged Loop Type 1.5" Dia	40	61.00
65440	Forged Loop Type 1.5" Dia	45	69.00
65441	Forged Loop Type 1.5" Dia	50	76.00



Blue Devil Backwash Hoses

Price

B8226	1.5" x 25' with clamp- shrink wrap	14.00
B8227	1.5" x 50' with clamp- shrink wrap	24.00
B8201	1.5" x 200'- Boxed	69.00
B8202	2" x 200'- Boxed	99.00
BS58068	1.5" x 25' with clamp- Extra heavy reinforced	22.00
BS58122	1.5" x 50' with clamp- Extra heavy reinforced	39.00

Filter Hoses

Item Number	Size - **Depending on Availability**	Price
65503	1.25"/ 3'	10.00
65505	1.25"/ 6'	14.00
65509	1.5"/ 3'	12.00
65511	1.5"/ 6'	16.00

Heavy Silver Hoses

HS1253	1.25" x 3'	6.00
HS1256	1.25" x 6'	9.00
HS1503	1.5" x 3'	8.00
HS1506	1.5" x 6'	13.00
BS10030	1.5" x 9'	16.00
BS10049	1.5" x 12'	19.00

Vinyl Reinforced Hoses

12BVRH	1.25" Bulk vinyl reinforced hose	3.00/ft.
15BVRH	1.5" Bulk vinyl reinforced hose	4.00/ft.



PoolCo USA

Cleaning Equipment

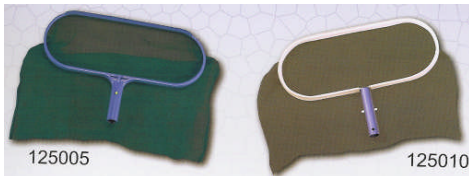


120006

Skimmers & Leaf Nets		Price
120006B	Standard Leaf skimmer w/nylon net and magnet	6.00
120010B	Aluminum Leaf Skimmer	14.00
120015B	Aluminum Leaf Skimmer w/plastic handles	14.00
120050B	Leaf Skimmer w/48"pole	10.00
125005B	Standard Deep Bag leaf rake w/nylon net	12.00
125010B	Aluminum Deep Bag leaf rake	15.00
125015B	Aluminum Deep Bag Leaf rake w/plastic handles	18.00
125020B	Heavy Duty Deep bag leaf Rake w/long wear mesh screen	20.00



120010



125005

125010

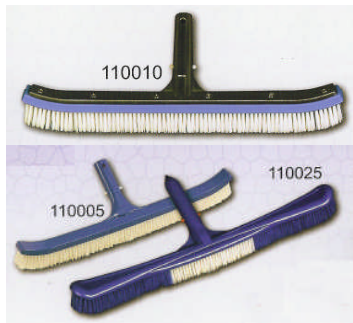


125020

125015



Skimmers & Leaf Rakes ---- Blue Devil		
B4115	Pro Skimmer, Deep net, Aluminum Frame	16.00
B4118	Pro Rake, Aluminum Frame	20.00
B4119	Pro Rake, Deluxe, Aluminum Rod, Fiberglass Net	29.00



110010

110025

110005

Brushes		
Item No.	Description	Price
11005B	18" Curved Wall Brush	7.00
110010B	18" Curved Wall Brush w/ aluminum back	12.00
110015	10" Straight Algea Brush	16.00
110025B	20" Oversized Wall Brush	16.00
110030B	20" Flexible Brush	24.00



Wall Brushes		Price
B3318	18" Brush	7.00
B3518	18" Brush, Deluxe with metal back	12.00



PoolCo USA

Poles & Accessories



11095M	2 Section inner lock, 8'-16' w/ hand grip Std. Pole	29.00
11095PFT	Ultra Grade 8'-16' Professional Pole in Blue	42.00
11096SS	6'-12' Silver Telescopic Pole	20.00
B8020	2 Hook Hanger	5.00
B8040	Rescue Hook	22.00



Thermometers

Thermometers		
150005	Small Scoop Thermometers	4.50
150010B	Jumbo Thermometer	6.00
150015B	Deluxe Round Thermometer	8.00
150050	Floating Animal Thermometer	7.00
150070B	Dial Thermometer	12.00
150020B	Floating Thermometer	8.00



Thermometers		
B8190	Large 10" Thermometer with water scoop	4.00
B8100	5" Full View, All Plastic	3.50
B8104	8" Jumbo, Aqua	6.00
B8130	6" Chrome/ Brass Deluxe	10.00
B8170	Animal Tops	7.00

Pool Signs



Pool Signs		
B8701	No Lifeguard on Duty, 24"x 18"	12.00
B8703	Our Pool Rules, 18"x 24"	12.00
B8712	Pool Rules (California), 18"x 24"	13.00
B8766	Pool Capacity, 24"x 18"	12.00

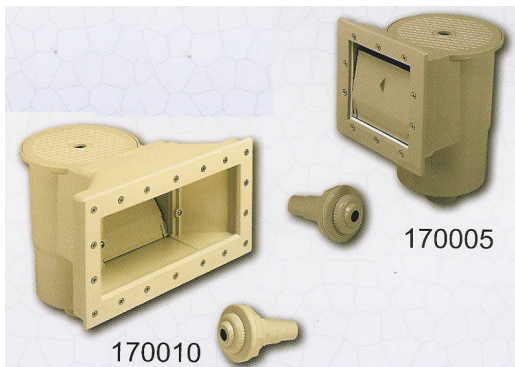


PoolCo USA

Chemical Dispensers		
160005 B8050	Small Floating Chemical Dispenser	5.00
160010	Large Floating Chemical Dispenser	8.00
165005	Inline Chemical Feeder for A/G Pools	44.00



165005



160005

160010

Fittings & Plastic Goods		
175005	Plug w/ o-ring 1.5" MIP	1.50
175012	Hydro stream Fitting 1/2"	3.50
175013	Hydro stream Fitting 3/4"	3.50
175014	Hydro stream Fitting 1"	3.50
175050	Complete wall fitting	12.00
170005	STD Wall Skimmer w/ fittings	49.00
170010	Wide-mouth Skimmer w/ fittings	65.00



190005

190015

190010

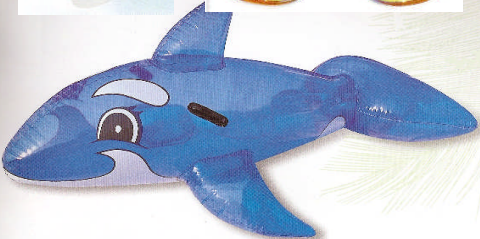
190020

Baskets		
190005	Hayward Super Pump replacement Basket	9.00
190010	Hayward Skimmer Replacement Basket	8.00
190020	Sta-Rite Pump Replacement Basket	7.00
199112B	Skimmer Baskets	7.00

Other Supplies		
197015	Vinyl Repair Kit 1 oz.	5.00
197020	Vinyl Repair Kit 2 oz.	9.00
199002	Quick Snap Clips	1.00
8910	Handle, Clip, & Pin Set	3.00
199103B	Wide mouth face Plates	12.00
199105B	Double Layer Standard Gaskets	9.00
199113B	Skimmer Weir	6.00
199114B	Double Layer wide-mouth Gasket	12.00
199104B	Skimmer Face Plate Standard	8.00

PoolCo USA

Toys & Accessories



	Product No.	Description	Price	
Inflatables	31022	24" Beach Ball	1.95	
	34036	Sea Set Children's Raft	10.95	
	36001	Animal Swim Ring	3.95	
	41010	Crocodile Rider 66" – 3+	9.95	
	41011	Crocodile Rider 80" – 6+	15.95	
	41032	Great White Shark Rider	10.95	
	41036	Transparent Whale Rider 52" – 3+	10.95	
	41037	Transparent Whale Rider 63" – 6+	12.95	
	41041	Lazy Turtle Rider	19.95	
	44002	Beach-Camouflage Air Mat	6.95	
	44007	Matte Finish Air Mat	4.95	
	Toys & Games Goggles	26009	Dive Fish	7.95
		21019	Hydro-Pro Competition Goggles	10.95
		21029	Sprint-Tech Goggles (Mirrored Lens)	21.95
22008		Dual Pro Dive Mask – 12+ Years	14.95	
22018		XR-20 Dive Mask	23.95	
22025		Seascape Dive Mask – 7+ Years	8.95	
Masks & Snorkels		24005	Silicone Mask & Snorkel Combo	28.95
		24014	Aero-Form Dive Mask & Snorkel – 12+	23.95
		25008	4-Piece Play Pro Snorkel Set – 3+	18.95
		25009	4-Piece Aviator Style Dive Set – 7+	20.95
	25010	Dive Pro Snorkel Set – 12+	27.95	
Accessories	26000	Nose Clip	1.00	
	26002	Swim Set	6.95	
	26003	Ear Plugs	1.00	
	26006	Hydro-Pro Swim Cap – H.D. Silicone	5.95	
	32047	Upper Arm Swim Help – 1-6 Years	4.95	
Boats & Equipment	61074	55" RX-1000 Raft	15.95	
	61095	92" RX-4000 Raft Set	66.00	
Air Pumps	62023	9" Air Step™ – Air Pump	10.95	



PoolCo USA



BugBand® Insect Repellent

Item	Product No.	Price
Olive Green Wristband	88200	5.95
Glow-In-The-Dark Wristband	88201	5.95
Pink Wristband	88202	5.95
Red Wristband	88203	5.95
Yellow Wristband	88204	5.95
Light Green Wristband	88205	5.95
Blue Wristband	88207	5.95
6 oz. Pump Spray	88336	9.95
15-Count Towelettes	88918	8.95
Portable Diffuser Unit	87701	24.95
Diffuser Refill Bead Cartridge (Box of 6)	88702	18.95



BUGBAND® WRISTBANDS: ASSORTED COLORS

- The vapors from the plastic BugBand wristband form a protective shield around the immediate area, keeping insects a safe distance away.
- While many repellents are easily diluted or rinsed off with swimming or perspiration, the wristband just keeps working, up to 120 hours. It's packaged in an innovative reusable plastic "pod" which can be used to store the wristband and can be sealed between uses to preserve the active life of the product.
- The plastic band is designed with a patented break-away strap that snaps if it becomes entangled.
- It can also be worn on belt loops, hatbands, pet collars, fastened in tents, attached to baby carriages or applied to other areas where insects could be a problem.
- Several wristbands can be strung together to create a longer band.



BUGBAND® 6 OZ. PUMP SPRAY BOTTLE

Perfect for when you need more heavy-duty protection, BugBand spray lotion does not contain any propellants, but relies on a highly effective metered pump sprayer to dispense a fine mist over the area to be treated. By spraying the BugBand liquid directly on clothing or skin, the Geraniol vapors form a protective barrier to deter blood-sucking insects from biting. It is ideal for uses around the ankles, wrist or neck, where insects tend to invade clothing. Use once for hours of insect protection.

What is Geraniol?

Savvy folks have been planting geraniums in their window boxes for centuries, using the natural properties of the flowers to repel bugs. Today, the hard data exists that proves that the use of geraniums is more than a tradition passed down from generation to generation. Geraniol, a powerful ingredient extracted from geranium oil through a unique refining process, does indeed provide a natural – and extremely effective – insect repellent.



According to laboratory and field studies by the University of Florida in Gainesville, Geraniol, the active ingredient in BugBand insect repellent, has been proven effective in repelling a wide variety of insects, including mosquitoes, house flies, stable flies, horn flies, cockroaches, fire ants, fleas, gnats, dog ticks, lone star ticks, and no-see-ums.

The University of Florida developed and tested alternatives to synthetic pesticides over a 17-year period. As part of the testing process, which was headed by Dr. Jerry Butler in the Department of Entomology and Nematology, university researchers created and patented a device called an olfactometer, which duplicates human skin and gaseous conditions that attract biting and annoying insects.

Previous to the University's work, there was no hard data or scientific studies to document what effect, if any, geranium oil had on any specific type of insect. The team tested and retested more than 4,000 compounds, and Geraniol emerged as an effective means of repelling insects.

The everyday geranium plants we grow in our gardens and flowerpots contain geranium oil, although only at low levels. Geranium plants earmarked for commercial oil production have been bred and refined over the years, and are currently grown in Nepal and other Southeast Asian countries.



BUGBAND® PORTABLE DIFFUSER

The BugBand motorized Portable Diffuser contains a replaceable cartridge of high concentrate Geraniol and a battery-operated fan. Geraniol vapors are released to form a protective vapor barrier in a given area. Small yet powerful Geraniol insect repellent protection!

Applications:

- Single replaceable cartridge will repel insects for up to 120 hours
- Repellent produces a pleasant natural fragrance
- Effective coverage area: 200-300 Square Feet
- Battery operated - 3 AA batteries not included)
- Place the bags on screened porches, patios and other outdoor enclosures.
- Can be used indoor or outdoor

PoolCo USA

Automatic Pool Cleaners

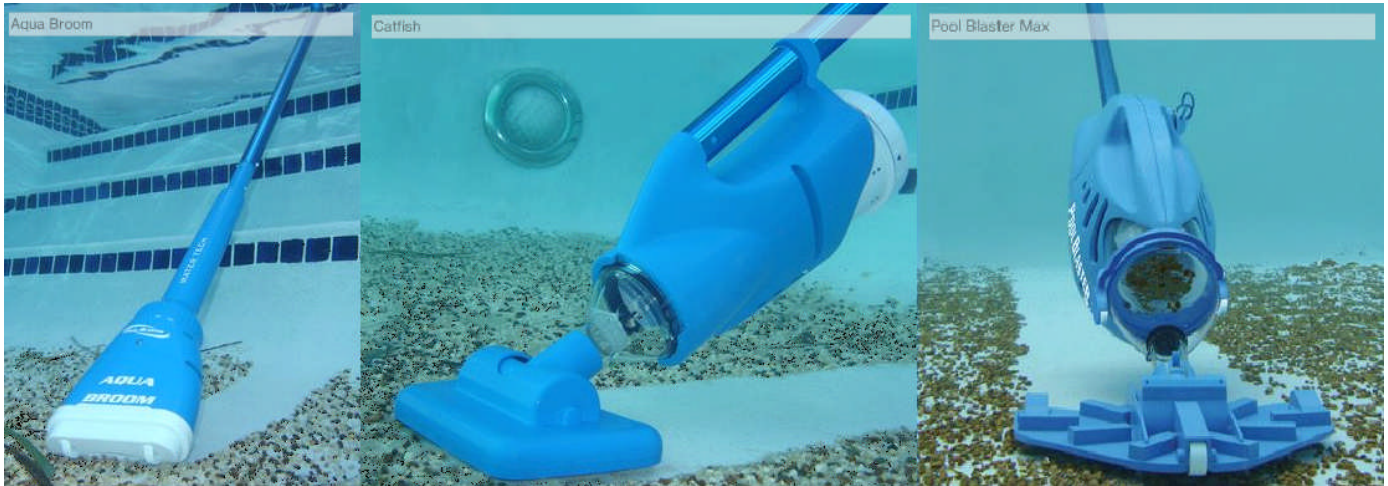
Product	Description	Price
Aquabots - **While Supplies Last**		
ABT1	Aquabot Turbo- soft grabber tracks for enhancing climbing ability.	1,750.00
ABT2	Aquabot Turbo T2- 1 Hour cleaner, split turning wheel	2,140.00
ABT4	Aquabot Turbo T4- 1 Hour cleaner, split turning wheel, w/ remote control	2,555.00
ABPR	Aquabot Pool Rover- above ground model	600.00
Polaris		
F9300	9300 Sport - Robotic Pool Cleaner w/Caddy and 60 ft. Cord	2,100.00
P380	3 wheel design, w/large bottom suction hole & quick release mesh bag.	1,410.00
P360	3 wheel design, w/large bottom suction hole & quick release mesh bag.	990.00
P280	3 wheel design, w/large bottom suction hole & quick release mesh bag.	986.00
P180	3 wheel design, w/large bottom suction hole & quick release mesh bag.	890.00
P165	Jet sweep assembly & unique filter bag for In Ground pools	460.00
PTT	Attractive floating turtle design w/jet sweep assembly & unique filter bag for A/G	398.00
P65	Jet sweep assembly & unique filter bag for Above Ground pools.	360.00
PB460	Booster Pump for 180,280, and 380 models.	530.00
PB460Q	Halcyon Super Quiet Booster Pump – to be used on above models in place of PB-460	630.00
Hayward		
RC9950	Tiger Shark Robotic Cleaner w/55' Cord	1,798.00
RC99385	Tiger Shark Caddy Cart	190.00
6000B	Phantom Pressure Cleaner with sweep hoses – Available also in black	1,400.00
5500TC	Viio Turbo Pressure Cleaner with sweep hoses – Available also in black	798.00
H72713	Viper Turbo Pressure Cleaner with sweep hoses (while supplies last) SPECIAL	600.00
5060	Waterway Universal ¼ Hp. Booster pump for all pressure models – SUPER QUIET	525.00



PoolCo USA

WATER TECH

"The pool invention people"



Item #	Description	Price
Broom	Pool Blaster Pool Broom	78.00
CatfishPPV	Pool Blaster Catfish	175.00
Poolbuster	Pool Buster Max	330.00
Poolbuster CG	Pool Buster Max CG	480.00
PEARL	Blue Pearl	1,495.00
BLD03	Blue Diamond	2,100.00
BLD03RC	Blue Diamond w/Remote & Caddy	2,895.00
BLDPRO	Blue Diamond Pro- Commercial Cleaner	5,200.00



PoolCo USA

Spa Cover Order Form

Company Name: _____ Date: _____
 Address: _____
 City: _____ State: _____ Postal Code: _____
 Contact: _____ Phone: _____ Fax: _____
 Email Address: _____ Signature: _____

This completed form must accompany all cover orders before order can be placed.

Special Cover Prices

Includes freight to us - can not ship UPS

1 Std Cover up to 96"
LIST Price: 620.00
 2 Covers Each **590.00**
 3 Covers Each **560.00**
 Premier – add **+70.00**
 Volume Price may be combined with other dealer orders - just so they all ship together.

Custom Items: Extra

****Please circle the 3 appropriate categories below****

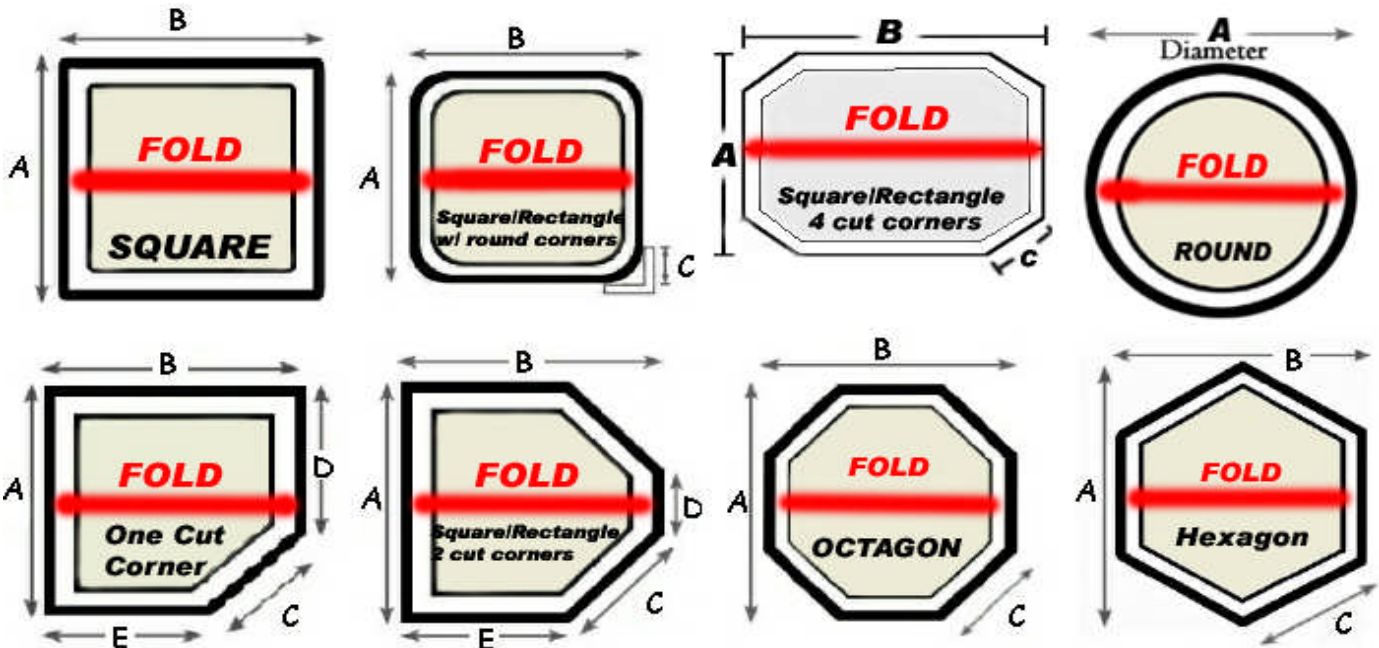
Model: (Standard 4" x 2" Taper) (Premier 5 x 3" taper) (MAXTOP – FRP sheet)

Skirt: 0" 1" 2" 3" 4" 5" 6" or (over 6" – Upcharge)

Colors: **Brown** **Tan** **Almond** **Navy** **Blue** **Charcoal**



Circle cover style and write dimensions below in INCHES only.



Enter Dimensions: A _____ B _____ C _____ D _____ E _____

PoolCo USA

Hydro-Quip™ Spa Equipment



HYDROQUIP™

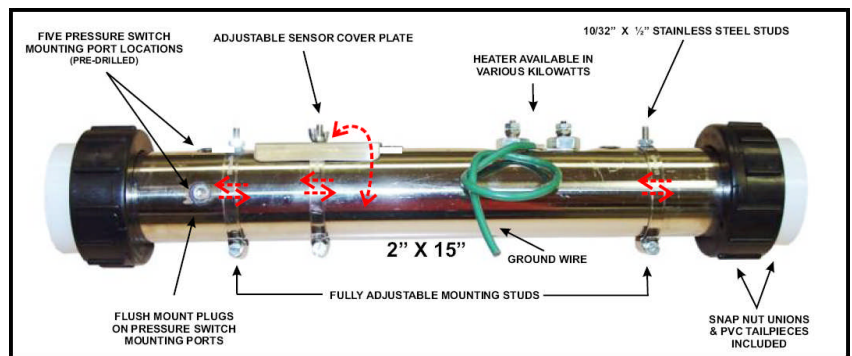
HeatMax RHS Series Heaters

Description	Voltage	Wattage	Price
Heatmax RHS 11	240	11	895.00

UNIVERSAL RITE-FIT HEATER ASSEMBLY

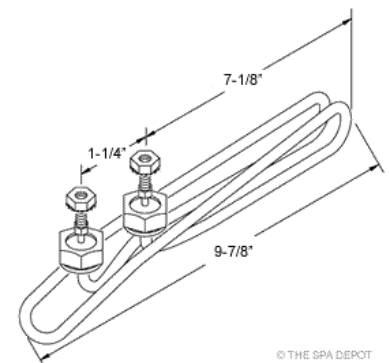
Hydro-Quip introduces our new universal *RITE FIT* heater assembly. This innovative design allows you to use the *RITE FIT* heater to replace many on the market today. Save on inventory and save space, no need to carry so many different models when you only need one, the *RITE FIT* universal heater!

From the ease of installation to the efficiency of our products, your customers will be glad you made the "Smart Choice" and chose equipment manufactured by Hydro-Quip, the industries oldest and most trusted supplier.



Model	Wattage (kW)	Size	Length	Price
48-1540-RS	4.0	2"	15"	116.00
48-1545-RS	4.5	2"	15"	116.00
48-1555-RS	5.5	2"	15"	116.00
Universal Heating Element	5.5	n/a	10"	46.00
Universal Heating Element	4.0	n/a	10"	46.00

Universal Thru Element 5.5kW



****See Hydro-Quip Catalog for other available items****

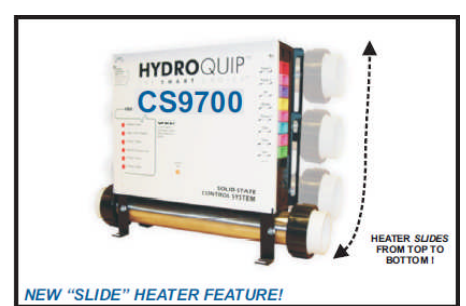
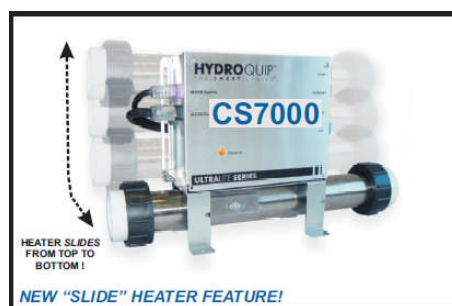
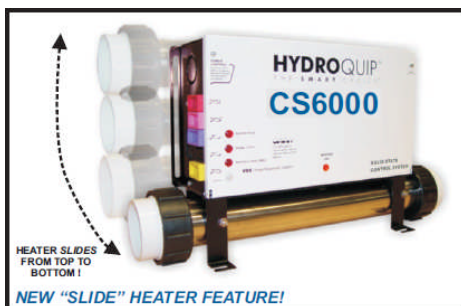
PoolCo USA

Hydro-Quip™ Spa Equipment



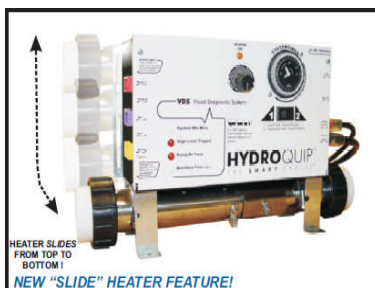
Solid State Control Systems

Model	Pump 1	Pump 2/ Blwr	Pump 3/ Blwr	Aux Circuit(s)	Blower	Ozone	Circ Pump	12V Light	Price
CS7109-US	2 Spd	N/A	--	--	--	Yes	N/A	Yes	795.00
CS7509-US	1 or 2 Spd	1 Spd	--	--	--	Yes	Yes	Yes	900.00
CS6229-US	2 Spd	2 Spd	N/A	--	--	Yes	N/A	Yes	950.00
CS9709-US	1 or 2 Spd	1 or 2 Spd	1 Spd	2	1-3 Spd	Yes	Yes	1-3 Step	1,350.00



Air Control System

Model	Pump 1	Pump 2	Blower	Ozone	Price
CS6009-US1	2 Spd	N/A	Yes	Yes	640.00



FEATURES & OPTIONS

Standard:

- 1.375/5.5KW "SLIDE" Heater Assembly
- 24hr Timer with Mode Switch
- Full Range Thermostat
- Ozone circuit (120V/240V)
- Light Circuit (12V)
- 1 Year Warranty
- Installation Kit

INSTALLATION KIT (Included)**

Kit Includes:

- Pump, Blower & Ozone Cords
- Air Transmitters (2 to 4 per)
- Air Tubing
- Tailpieces w/Gaskets

** Varies per system series model

All Circuits Are Convertible to 120 or 240VAC

****See Hydro-Quip Catalog for other available items****

PoolCo USA

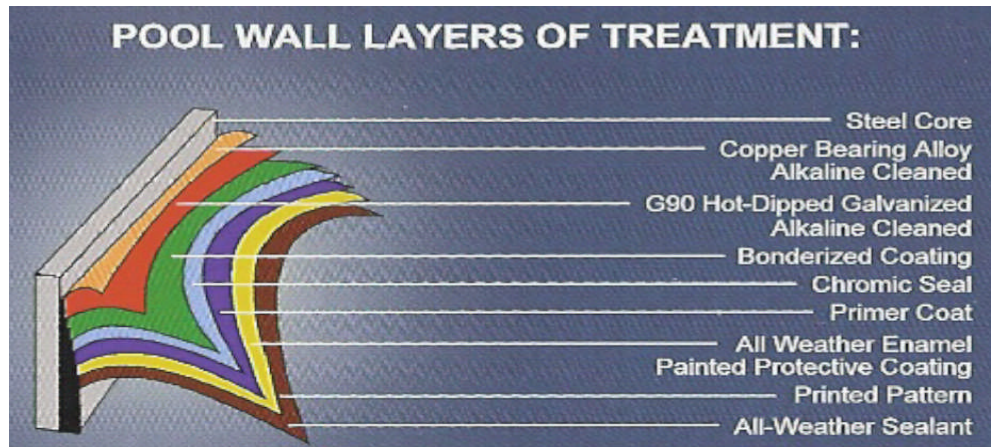
Above Ground Pool Kits



20 Year Limited Warranty
First 2 seasons no charge for parts

Quest/Quantum/Yorkshire/Zenith - 52" Models					
Liner- Overlap plain blue only- additional charge for patterns					
Beaded Liner option- additional charge (see catalog)					
Round			Oval		
Size	Complete Pool Kit	Pool Only*	Size	Complete Pool Kit	Pool Only*
15	2,700.00	1,800.00	12 x 24	3,940.00	2,700.00
18	2,900.00	2,200.00	15 x 30	4,350.00	3,300.00
21	3,350.00	2,400.00	18 x 33	4,650.00	3,600.00
24	3,550.00	2,650.00			
27	3,850.00	2,850.00			
30	4,200.00	3,160.00			

May also come in other designs.



SPECIFICATIONS

- Wall:** Blue Lagoon steel wall
- Covers:** Molded top and bottom covers
- Ledges:** 6" roll-formed steel - White color
- Verticals:** 6" roll-formed steel - White color
- Rails:** 5/8" steel universal top and bottom rails
- Plates:** Steel universal top and bottom plates
- Hardware:** Zinc Dichromate

Above Ground Pool Specifications								
Size	15'	18'	21'	24'	27'	12' x 24'	15' x 30'	18' x 33'
Gallons in 48"	5,300	7,600	9,400	13,600	18,500	8,600	13,500	17,800
Gallons in 52"	5,700	8,200	10,000	14,500	20,000	9,350	14,800	18,900

PoolCo USA

Above Ground Pool Kits



XL 7000 - 52" Model

Liner - Overlap plain blue or print bottom is standard
Beaded Liner option - additional charge (see catalog)

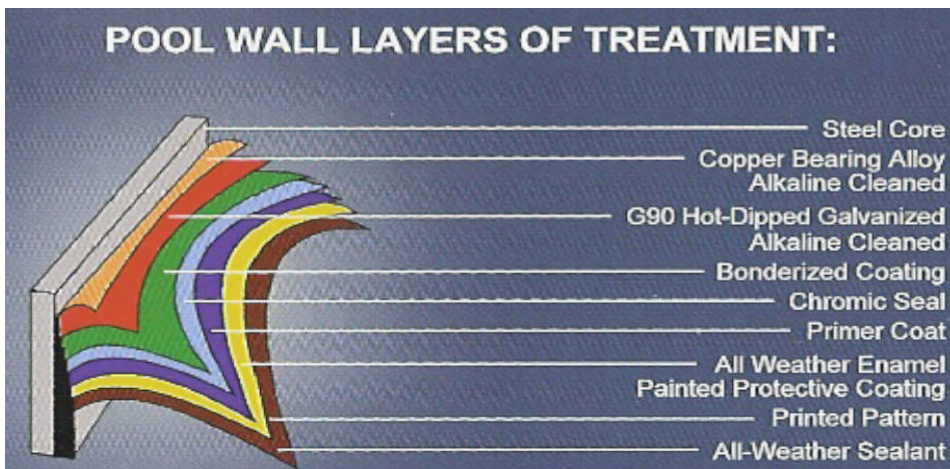
20 Year Limited Warranty
First 2 seasons no charge for parts

Round			Oval		
Size	Complete Pool Kit	Pool Only*	Size	Complete Pool Kit	Pool Only*
15	2,850.00	1,950.00	15 x 30	4,700.00	3,600.00
18	3,050.00	2,350.00	18 x 33	5,000.00	3,950.00
21	3,550.00	2,600.00			
24	3,750.00	2,900.00			
27	4,100.00	3,050.00			
30	4,480.00	3,400.00			
33	4,900.00	3,780.00			



The uniquely captivating pattern on the exterior of the XL7000 will be sure to catch the eyes of anyone who notices it. Bold and decorous, this pool would be suitable in the backyard of any modern home. It features 8 different layers of wall treatment to help keep your pool in good condition. The XL7000 pool is certified with the Rust-Oleum "Seal of Approval" for its superior metal protection.

POOL WALL LAYERS OF TREATMENT:



PoolCo USA

Above Ground Pool Kits



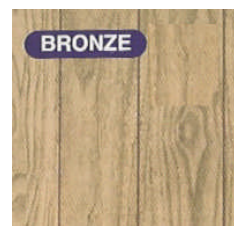
Yorkshire/Princeton- 48"					
Liner- Overlap plain blue only- additional charge for patterns					
Round			Oval		
Size	Complete Pool Kit	Pool Only*	Size	Complete Pool Kit	Pool Only*
15	2,450.00	1,450.00	15 x 30	3,890.00	3,100.00
18	2,650.00	1,790.00			
21	3,100.00	1,990.00			
24	3,300.00	2,200.00			
27	3,560.00	2,400.00			

Pool Only includes 1&2

Complete pool Kit include:

1. Wall, rails, verticals, & bolts, Overlap Liner
2. Skimmer & wall fittings
3. Hoses connectors, pump & sand filter (deluxe, heavy duty) & filter sand.
4. Deck mount Ladder with anchors
5. Cleaning & maintenance Kit- vacuum hose, vacuum head, vacuum pole, skimmer, test kit, thermometer,
6. Start-up chemical package

* 15' & 18' Pools have a 17" 150lb. Filter with ¾ HP Pump. All other Pools have a 19" 200lb. Filter with 1HP Pump.



Plank or Blue Lagoon wall patterns



Specifications

- Wall: Plank pattern steel wall
- Covers: Molded top and bottom covers
- Ledges: 6" roll-formed steel - White color
- Verticals: 6" roll-formed steel - White color
- Rails: 5/8" steel universal top and bottom rails
- Plates: Steel universal top and bottom plates
- Hardware: Zinc Dichromate

