

PoolCo USA

W. COOPER INC.



RANGER SERIES SAND FILTERS

CHECKOUT THE RANGER SERIES SAND FILTER QUALITY!

- ✓ One-Piece Moulded Tank Guarantees a Long Tank Life.
- ✓ Stainless Steel Fittings for Corrosion-free Performance.
- ✓ Large Drain Port for Quick Winterizing and Draining.
- ✓ Unique Drain Port Strainer which is Efficient and Durable.
- ✓ 6-Position Top Mount 1 1/2" Selector Valve for Easy Retrofits.
- ✓ Synthetic V-clamp Guarantees 100% Seal of Selector Valve to the Tank.
- ✓ Exclusive Hub Assembly Design that is Stronger than Glued Assemblies.
- ✓ Patent Pending Laterals are 360° Slotted, One-Piece Twist Lock Design.
- ✓ Laterals are a full 1.5" Outside Diameter for full flow with Little Back Pressure.

Model #	Description	Sand Required (lbs.)	Price
RS2115	21" Ranger Sand Filter w/ 1 1/2" Valve	200	460.00
RS2515	25" Ranger Sand Filter w/ 1 1/2" Valve	300	510.00
RS2520	25" Ranger Sand Filter w 2" Valve	300	610.00
RS3020	30" Ranger Sand Filter w/ 2" Valve	500	850.00
RS3620	36" Ranger Sand Filter w/ 2" Valve	650	1,070.00

PoolCo USA

In-Ground D.E. Filters **Astral DE Filters**



Clarity D.E. Filters

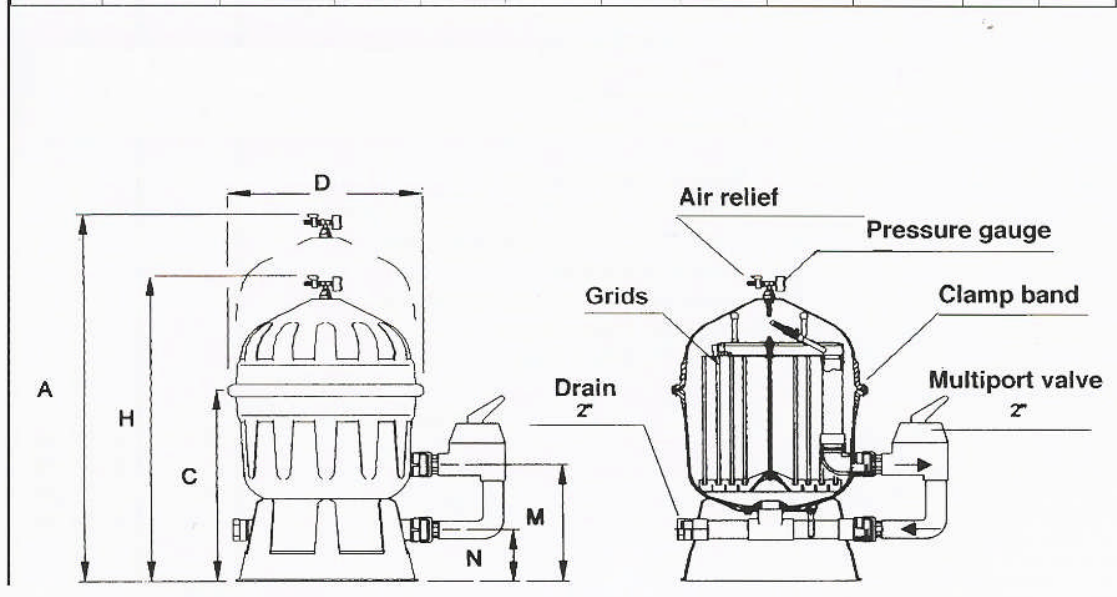
Our heavy duty filter tank is a unique combination of fiberglass lamination with a molded polyester resin, offering unsurpassed strength to resist high pressures and the rigors of in-floor cleaning systems. The filter easily assembles/disassembles with a sturdy stainless steel band and sits atop a molded plastic base.

The internal manifold is injection molded ABS and features a curved grid design for maximum space efficiency. Filter connections are 2" standard to handle the modern pool's higher flow rates. Filters include air relief valve and pressure gauge. Filters available in 24, 36, 48 and 60 square foot filter area models.

Description	Reference	Price List	Standard Carton	Carton Weight (lbs.)
24 Sq. Ft.- 2 Connections	18044	840.00	1	75
36 Sq. Ft.- 2 Connections	18045	910.00	1	86
48 Sq. Ft.- 2 Connections	18046	990.00	1	97
60 Sq. Ft.- 2 Connections	18047	1,060.00	1	106

All models are usually stocked – See next page for valves.

MODEL NUMBER	HEIGHT (H)	WIDE (D)	M	C	N	OVERHEAD CLEARANCE	FILTER AREA (Sq.ft)	FLOW RATE (G.P.M.)	WORKING PRESSURE (PSI)	VALVE	MEDIA lbs
18044	35 ⁵ / ₁₆ "	24"	15 ¹⁵ / ₁₆ "	9"	6 ⁷ / ₈ "	37"	24	48	50	2"	3
18045	37 ³ / ₈ "	24"	15 ¹⁵ / ₁₆ "	9"	6 ⁷ / ₈ "	51"	36	72	50	2"	5
18046	43 ⁵ / ₁₆ "	24"	15 ¹⁵ / ₁₆ "	9"	6 ⁷ / ₈ "	67"	48	96	50	2"	7
18047	49 ³ / ₁₆ "	24"	15 ¹⁵ / ₁₆ "	9"	6 ⁷ / ₈ "	74"	60	120	50	2"	9



PoolCo USA



Astral Multi-Port Valves

Multiport Valves

100 Series Multiport Valve

- No Bolts for easy service
- 7 position multiport valve.
- Top or side mounted.
- Body, lid and handle injected in ABS.
- Bayonet lid catch.
- Security clip in lip.
- "Winter" position.
- Working pressure 50 PSI.
- Sight glass.



Description	Reference	Price List	Standard Carton	Carton Weight (lbs.)
Top Mount 1 1/2"	22358	140.00	6	31
Side Mount 1 1/2"	22355	155.00	6	31



Multiport Side Valve

With six function selections and integral sight glass. Side inlet, bottom outlet.

Valve only, without plumbing.

Side Mount 1 1/2"	22356	150.00	6	27
Side Mount 2"	30795	215.00	6	44



Multiport Valve

Featuring seven position selections and sight glass. Side inlet, bottom outlet. Complete with influent connection, 90° elbow effluent connection and union nuts.

2" -for 30" SM	09848	210.00	1	9
2" -for 24" SM	28226	210.00	-	-
2 1/2" -for 36" SM	24840	690.00	1	21
2" -for DE SM	18676	210.00	1	9

PoolCo USA

HAYWARD Filters



S244T Pro Series 24" filter with 1 1/2" Vari-Flo™ control valve.

Pro Series Top-Mount Sand Filter

Model No.	Valve	Sand Required	Price
S220T	1 1/2" Vari-Flo	250 lbs.	590.00
S244T	1 1/2" Vari-Flo	300 lbs.	616.00
S244T2	2" Vari-Flo	300 lbs.	679.00
S310T2	2" Vari-Flo	500 lbs.	1,110.00



Performance Data – Filter

Model Number	Effective Filtration Area	Design Flow Rate*	Turnover (In Gallons)	
			8 Hours	10 Hours
S220T	2.64 ft. ²	52 GPM	24,960	31,200
S244T	3.14 ft. ²	62 GPM	29,760	37,200
S310T2	4.91 ft. ²	98 GPM	47,040	58,800

*Based on 20 GPM/ft.² (maximum allowable NSF rating).



DE3620 Pro-Grid filter with 2-position slide valve.

Pro-Grid D.E. Filter

Model No.	Effective Filtration Area	D.E. Required	Price
DE2420	24 Sq. ft.	3 lbs.	990.00
DE3620	36 Sq. ft.	4 1/2 lbs.	1,120.00
DE4820	48 Sq. ft.	6 lbs.	1,280.00
DE6020	60 Sq. ft.	7 1/2 lbs.	1,410.00
DE7220	72 Sq. ft.	9 lbs.	1,810.00

Performance Data – Valve Positions

Model Number	Filter	Back-wash	Waste	Recirculate	Rinse	Closed	Winter
SP0714T	•	•	•	•	•	•	•
SP071621	•	•	•	•	•	•	—

Popular Valve Selections For Hayward**

Model No.	Description	Pipe Size	Valve Positions	Price
SP0710XR50	Vari-Flo/DE SM	1 1/2" FIP	6	170.00
SP0710X32	S200 & S240 Sand SM	1 1/2"	6	170.00
SP0710X62	Pro Series Sand SM	1 1/2"	6	170.00
SP0715XR50	Vari-Flo/DE SM	2" FIP	6	260.00
SP0710XALL	Universal Valve	1 1/2" FIP	6	158.00
SP07121	Thd. Top Mount f/GM	1 1/2" FIP	6	170.00
SP0714T1	Top Mount Sand	1 1/2" FIP	6	162.00
SP0715XALL	Universal Valve	2" FIP	6	224.00

****Please refer to pages 15-17 in this section for Praher Multi-Port Valve selections to fit most filter applications including above filters at a lower cost.**

PoolCo USA



Laser Sand Filters

New!
Resin Clamp &
Upper Distribution
System



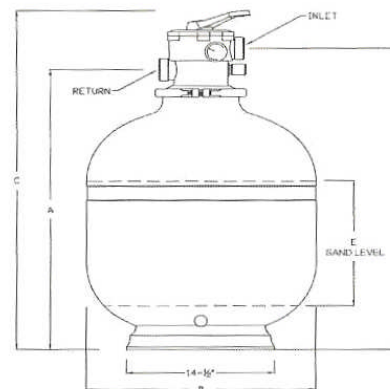
Features

- 16", 19", 22.5" and 25" models.
- **NEW!** Upper distribution system integrated into the dial valve and engineered to direct water evenly across the entire surface of the sand – up to 25 gpm/sq.ft. without sand migration or channeling.
- **Underdrain with side-slotted laterals** draws water evenly across the full diameter of the sand bed for higher flows, better filtration, longer cycles and more efficient backwashing. Features **heavy-duty, freeze resistant hub** and **easy service, snap-fit laterals**.
- **Deep, high-capacity sand bed** carries more debris and extends filter cycles.
- **Blow-molded tank** is corrosion-resistant, and UV-resistant.
- **Bottom drain** for winterizing and draining.
- **NEW! Non-Corrosive Resin Clamp** for simple installation and service of dial valve and filter components.
- **7-way Dial Valve** with sight glass, automatic air relief, and pressure gauge. The 7 functions include:



Filter Backwash Rinse Whirlpool Drain Test Winterize

Dimensions



MODEL	A	B	C	D	E
L160C-7	26-1/4"	28-3/4"	33"	16"	13"
L192C-7	30"	32-1/2"	36-3/4"	19"	12-1/2"
L225C-7	30-3/4"	33-1/4"	37-1/2"	22-1/2"	11-1/2"
L250C-7	34"	36-1/2"	40-3/4"	25"	13-1/2"

Performance

Model	Size	sq.ft.	6 Hrs.	8 Hrs.	Sand	Work Press
L160C-7	16"	1.33	12,000	16,000	140 lbs.	35 psi
L192C-7	19"	1.87	16,800	22,400	200 lbs.	50 psi
L225C-7	22-1/2"	2.64	23,800	31,700	250 lbs.	50 psi
L250C-7	25"	3.30	29,700	39,600	350 lbs.	50 psi

Model	Description	Price
L160C-7	16" Laser Sand Filter with 7-Way Dial Valve	N/A
*L192C-7	19" Laser Sand Filter with 7-Way Dial Valve	480.00
*L225C-7	22 1/2" Laser Sand Filter with 7-Way Dial Valve	540.00
*L250C-7	25" Laser Sand Filter with 7-Way Dial Valve	560.00

*** WHILE SUPPLIES LAST**

We also have Jacuzzi 15" 85# sand filters in limited supply with 4 way valves @ 200.00

PoolCo USA

PoolCo USA Filters



11600

ASSEMBLED AND
INSPECTED IN THE



71715



11500

**Model	Description	Price
71715	12" Pooline Sand Filter w/.35HP Pump Combo	270.00
11500	18" Poolco USA Sand Filter 150# Sand	380.00
11600	24" Poolco USA Sand Filter 300# Sand	500.00
11700	31" Poolco USA Sand Filter 2" Valve 450# Sand	740.00

PoolCo USA



Dial Valves

Features

- **DVK-4:** Bolt-on 1-1/2" 4-way valve featuring **FILTER, BACKWASH, DRAIN, and WHIRLPOOL.**
- **DVK-6:** Bolt-on 1-1/2" 6-way valve featuring **FILTER, BACKWASH, RINSE, DRAIN, WHIRLPOOL** and **TEST.**
- **DVK-7C:** Clamp-style 1-1/2" 7-way valve featuring **FILTER, BACKWASH, RINSE, DRAIN, WHIRLPOOL, TEST, and WINTERIZE.**
- **DVK-7:** Bolt-on 1-1/2" 7-way valve featuring **FILTER, BACKWASH, RINSE, DRAIN, WHIRLPOOL, TEST, and WINTERIZE.**
- **2DVK-C7:** Clamp-style 2" 7-way valve featuring **FILTER, BACKWASH, RINSE, DRAIN, WHIRLPOOL, TEST, and WINTERIZE.**
- All dial valves feature automatic air relief.
- All dial valves include pressure gauge.
- All dial valves can now be set in a winterize position.
- **DVK-6, DVK-7C, DVK-7 and 2DVK-C7** include sight glass for backwash.
- **DVK-6, DVK-7C and DVK-7** feature optional union connections.
- **DVK-7 and DVK-7C** are completely serviceable without disturbing plumbing.



DVK-4



DVK-7



DVK-6



2DVK-C7



DVK-7C

Dial Valve & Unions		
**Model	Description	Price
DVK-4	4- Position Dial Valve, 1 1/2"	120.00
DVK-7C	7- Position, Clamp style valve 1 1/2"	160.00
DVK-7	7- Position Bolt-on valve 1 1/2"	160.00
2DVK-7C	7- Position, Clamp on Valve, 2"	230.00
DVK-6	6- Position Dial Valve, 1 1/2"	160.00
DVK-7/ DVK-5	7- Position Dial Valve Replacement for DV5	140.00
S15UNS-KIT	Unions for DVK-7, DVK-7C, DVK-6	20.00
2UNST	Unions for 2DVK-C7	24.00

** Above valves in limited supply – check Praher section on pages 15-17

PoolCo USA



ABOVE GROUND SAND FILTER

Complete the sand filtration system with the high performance Waterway Hi-Flo Pump and accessories. The Sand filter and pump pack provides homeowners with everything they need to get their system up and running. It assures them of matched components and optimal performance with years of dependable service.

FEATURES

- Large filtration sand filter with durable, high flow laterals.
- Top of the line Hi-Flo High Performance Pump
- Large 6" trap with clear lid.
- Union connection on multi-port for easy installation.
- A gate valve to isolate the system for maintenance.
- (2) 1½" diameter hoses, with clamps.
- Filter and pump mounting bases and additional accessory base for chlorinator and timer.



Clearwater Above Ground Sand Filter & Supreme Pump Pack							
Part No.	Filter	Dia	Filtration	Flow Rate	Pump	HP	Price
FSS016910-6S	FS01619	16"	1.4 Sq. Ft.	35 GPM	PSP1100-6	1.0	865.00
FSS019915-6S	FS01922	19"	2.0 Sq. Ft.	45 GPM	PSP2100-6	1.0	913.00
FSS022915-6S	FS02225	22"	2.6 Sq. Ft.	55 GPM	PSP2150-6	1.5	1,010.00
FSS026915-6S	FS02629	26"	3.5 Sq. Ft.	70 GPM	PSP2150-6	1.5	2,010.00

SYSTEMS INCLUDE:

- 2 hoses (1½" x 6 ft.).
- Hose fittings, hose clamps.
- 3 ft. cord twist lock plug, or 6 ft. cord NEMA plug.
- Deluxe modular filter and pump bases.
- Modular accessory base. (See page 20.)
- A gate valve to isolate the system for maintenance.

Shown with In-Line Chlorinator attached to a Sand Filter.



Timers

Part No.	Description	Price
PA060	Pump Timer with Stand- NEMA (Reg.) Cord	100.00
CCT01206	Timer (NEMA) & off-line chlorinator in Plain Box	184.00
CLBT01206	Timer (NEMA) & in-line chlorinator with adapter in plain box	200.00

PoolCo USA

CLEARWATER CARTRIDGE FILTERS

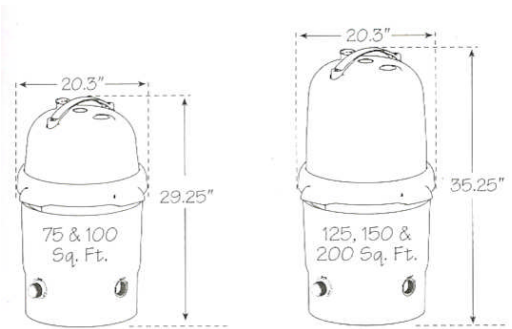
Waterway®

Large filtration, small footprint, and high flow; Clearwater Cartridge Filters incorporate wide-body filtration elements to give maximum filtration without sacrificing flow rate. Made of a durable glass-filled polymer, Clearwater cartridge filters provide years of trouble-free performance. Clearwater Cartridge Filters feature Waterway's Safety lock ring system to ensure safe operation and easy maintenance.



FEATURES

- Wide-body filtration system.
- Durable glass-filled polymer filter body.
- 10 year warranty on filter body.
- 1½" clean out drain on 1½" FPT – 2" on 2" FPT.
- Pressure gauge.
- Air relief plug.
- Automatic air bleed capability.
- Lid handle.
- 1½" FPT model has an internal check valve in outlet.



Clearwater Cartridge Filter

Part No.	Area	Flow Rate	Pool Turnover 6-8 hours	WT. (lbs.)	Price
FC0757	75 Sq. Ft.	75 GPM	27,000-36,000	31	420.00
FC1007	100 Sq. Ft.	100 GPM	36,000-48,000	36	530.00
FC1257	125 Sq. Ft.	125 GPM	45,000-60,000	37	575.00
FC1507	150 Sq. Ft.	150 GPM	54,000-72,000	44	710.00
FC2007	200 Sq. Ft.	200 GPM	54,000-72,000	46	825.00

Complete the Cartridge filtration system with the high performance Waterway Hi-flo Pump and accessories. The Cartridge Filter and pump pack provides homeowners with everything they need to get their system up and running. It assures them of matched components and optimal performance with years of dependable service.



Clearwater Cartridge Filter with Pump System

Part No.	Filter	Area	Pump	H.P.	Volts	Price
FCS075107-6S	FC075	75 Sq. Ft.	PSP1100-6R	1.0	115	740.00
FCS100107-6S	FC100	100 Sq. Ft.	PSP1100-6R	1.0	115	835.00
FCS150107-6S	FC150	150 Sq. Ft.	PSP1150-6R	1.5	115	975.00
FCS200107-6S	FC200	200 Sq. Ft.	PSP1150-6R	1.5	115	1,080.00

FEATURES

- Large filtration, small footprint cartridge filter.
- Top of the line Hi-Flo High Performance Pump.
- Large 6" trap with clear lid.
- A gate valve to isolate the system for maintenance
- (2) 1½" diameter hoses, with clamps.
- Filter and pump mounting bases, and additional accessory base for chlorinator and timer.

System includes: 2 hoses (1 ½" x 6'), hose fittings, hose clamps, 6ft cord w/NEMA plug, deluxe modular filter, and pump bases, & a gate valve to isolate system for maintenance.

PoolCo USA

CLEAR WATER II DE FILTER

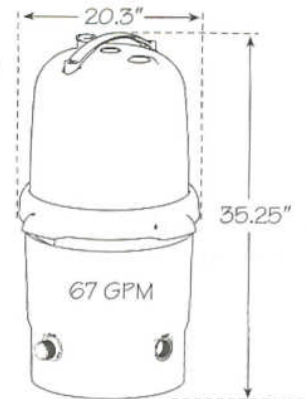


True spiral laminar flow in an above ground filter, spiral laminar flow ensures even distribution of DE for maximum filtration. The Clearwater DE filter features automatic regeneration. Waterway's Safety Lock Ring system for safe operation and maintenance, and a ten year warranty on its rugged glass-filled polymer body.



FEATURES:

- True Spiral Laminar flow for even disbursement of D.E.
- Automatic hydraulic regeneration
- High flow rate
- Modular grid system for easy maintenance
- 1 1/2" drain port on 1 1/2" FPT
- Flush-mounted pressure gauge
- Low-profile air relief plug
- Automatic air bleed capability
- Heavy-duty lid handle



Clearwater DE Filter II

Part No.	Area	Flow Rate	Pool Turnover 6-8 hours	WT. (lbs.)	Price
FD12-7	12 Sq. Ft.	44 GPM	15,840-21,120	34	540.00
FD18-7	18 Sq. Ft.	67 GPM	24,120-32,160	41	640.00



Complete the DE filtration system with the high performance Waterway Hi-Flo Pump and accessories. The DE filter and pump pack provides homeowners with everything they need to get their system up and running. It assures them of matched components and optimal performance with years of dependable service.

Clearwater DE Filter II with Pump System

Part No.	Filter	Area	Pump	H.P.	Volt s	Price
FDS044107-6S	FD12-7	44 Sq. Ft.	PSP1100-6R	1.0	115	840.00
FDS067107-6S	FD18-7	67 Sq. Ft.	PSP1100-6R	1.0	115	980.00
FDS067157-6S	FD18-7	67 Sq. Ft.	PSP1150-6R	1.5	115	1,210.00

NEMA plug, deluxe modular filter and pump base, modular accessory base, a gate valve System include: 2 hoses (1 1/2" x 6ft), hose fittings, hose clamps, 6 ft. cord with to isolate system for maintenance.

PoolCo USA

CRYSTAL WATER FILTERS

Part No.	Description	Flow Rate	Pool Turnover 6-8 hours	Price
570-0036-07	36 Sq. Ft.	72 GPM	25,920 - 34,560	890.00
570-0048-07	48 Sq. Ft.	96 GPM	34,560 - 46,080	998.00
570-0060-07	60 Sq. Ft.	120GPM	43,200 - 57,600	1,125.00

Designed for today's most demanding installations, the Crystal Water

Waterway



For replacement parts, see page 113.

DE Filter Accessories		
Part No.	Description	Price
600-1500	2 1/2" Hi Temp PVC Slide Valve- 2" reducers incl.	110.00
550-4280	Adapter fitting package	35.00
WVD001	2" Multi-port valve with union connections	200.00

D.E. Filter sets a new standard of performance and features for pool filters. The only D. E. Filter on the market with 2 1/2" internal piping, improves flow and reduces system noise when using 2 1/2", 2", or 1 1/2" plumbing. From the lid with the "Multi-handle" design to the 2" bottom clean out port, the Crystal Water D.E. Filter will provide years of trouble-free operation and crystal clear, sparkling water.



FEATURES

- 2 1/2" internal piping.
- Accepts 2 1/2", 2" and 1 1/2" plumbing. (Fittings incl.)
- Fiberglass reinforced polypropylene body for superior strength.
- "Multi-Handle" design.
- Heavy-duty tamper-proof clamp.
- Industry proven D.E. grids.
- "Start-Service" dial on pressure relief gauge.
- 2" bottom clean-out port.
- 2 1/2" hi-temp PVC slide valve available.
- Convertible to cartridge by simply changing internals.

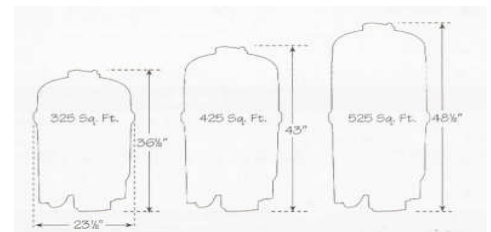
Part No.	Description	Flow Rate	Pool Turnover 6-8 hours	Price
570-0325-07	325 Sq. Ft.	120 GPM	43,200 - 57,600	1,130.00
570-0425-07	425 Sq. Ft.	150 GPM	54,000 - 72,000	1,280.00
570-0525-07	525 Sq. Ft.	150 GPM	54,000 - 72,000	1,480.00

Combining high technology features and an easy to service design, the Crystal Water Cartridge Filter is ideal for new and replacement installations. The only cartridge filter on the market with 2 1/2" internal piping, improves flow and reduces system noise when using 2 1/2", 2", or 1 1/2" plumbing. Using four cartridge elements, the Crystal Water Cartridge Filter offers a superior choice for easy maintenance and crystal clear, clean water.



FEATURES

- 2 1/2" internal piping.
- Accepts 2 1/2", 2" and 1 1/2" plumbing. (Fittings incl.)
- Fiberglass reinforced polypropylene body for superior strength.
- "Multi-Handle" design.
- Heavy-duty tamper-proof clamp with removal tool.
- Industry proven cartridge elements.
- "Start-Service" dial on pressure relief gauge.
- 2" bottom clean-out port.
- Convertible to D.E. by simply changing internals.



PoolCo USA



In-Ground Sand Filter

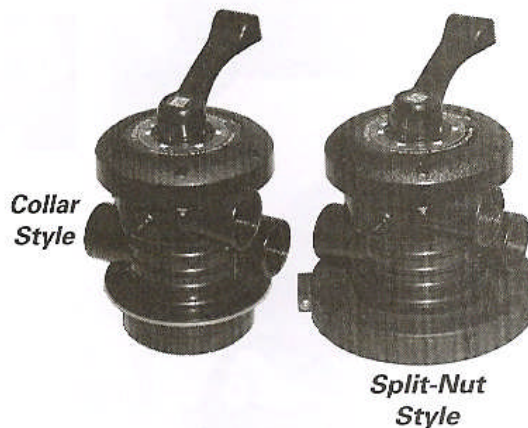
Carefree Sand Filter

Part No.	Description	Filtration	Flow Rate	Pool Turnover			Price
				6 hours	8 hours	10 hours	
FS01619 <i>Non-Stocked</i>	16" Dia. Filter w/ modular base & 1.5" FTP valve	1.4 Sq. Ft.	35 GPM	12,600	16,800	21,000	350.00
FS01922	19" Dia. Filter w/ modular base & 1.5" FTP valve	2.0 Sq. Ft.	45 GPM	16,200	21,600	27,000	375.00
FS02225	22" Dia. Filter w/ modular base & 1.5" FTP valve	2.6 Sq. Ft.	55 GPM	19,800	26,400	33,000	460.00
FS02629	26" Dia. Filter w/ modular base & 1.5" FTP valve	3.5 Sq. Ft.	70 GPM	25,200	33,600	42,000	600.00

FEATURES:

- Large filter with extra sand-holding capacity.
- One-piece corrosion proof body.
- Fine-spray internal diffuser for even water distribution.
- 7-function, thread-on, top-mount 1½" FPT Multi-Port Valve.
- 1½" drain port.
- Mounting base included.

Carefree Top-Mount Sand Filters are designed for extra sand holding capacity, made of Corrosion-proof polymeric thermoplastic. The Carefree Sand Filter offers the ideal combination of energy efficiency and excellent water clarity.



Top Mount Sand Filter Valves

Part No.	Description	WT. (lbs.)	Price
WVS002	Top mount 7-function Filter Valve Collar Style	5	120.00
WVS003	Top mount 7-function Filter Valve w/ Split Nut	5	120.00

FEATURES

- Durable ABS body.
- 7 functions:
 1. Filter
 2. Waste
 3. Backwash
 4. Recirculate
 5. Winterize
 6. Rinse
 7. Closed
- Retrofits standard sand filter bodies. Case Qty. 1

PoolCo USA



SAND FILTERS



Sand Dollar®

Model	Description	Price
145360	19" Cristal-Flo II 2.2 Sq. Ft., 150 lb.	499.00
145362	24" Cristal-Flo II 3.1 Sq. Ft., 300 lb.	600.00
Discontinued	30" Cristal-Flo 4.9 Sq. Ft., 2", 600 lb.	N/A
140264	TR 60 TritonII 3.14 Sq. Ft., 325 lb. sand	980.00
140315	TR 100 4.91 Sq. Ft., 600 lb. sand	1,460.00
140316	TR 140 7.06 Sq. Ft., 925 lb. sand	2,200.00
SD60	22" Diameter 60 GPM 250 lb. Sand	550.00
SD80	24" Diameter 80 GPM 300 lb. Sand	605.00
VALVES FOR TRITON FILTERS		
261165	2" PVC Slide Valve f/Sand & DE filters	140.00
261173	1 1/2" Side Mount Multiport Valve	185.00
261055	2" Side Mount Multiport Valve	280.00



Cristal-Flo™

Cristal-Flo™

Features

- Typical Installations – Inground pools and water features (including fish ponds and water gardens)
- Quality Construction – Durable one-piece extra-thick molded polyethylene tank
- Safe – Internal air relief hole allows air to automatically escape, preventing high pressure buildup
- 6-Position Valve – Allows you to perform all necessary water movement functions. A transparent sight-glass adapter is included
- More Choices – Both 20" and 24" available with multi-functional 6- Position Valves.
- Large Drain Plug – Large drain plug is easy to get at for removing and installing by hand or with tools if required
- Sleek Looks – Contemporary style with a textured black finish that provides superior performance in all weather conditions



Triton II®

Triton®II

Features

- Heavy-duty closure provides easy inspection, and features an easy-to-read pressure gauge with air relief valve
- Swing-away diffuser allows instant access to sand and all internal parts
- All internal parts are threaded for ease of service
- Internal air bleed
- Bulkhead connectors are threaded for easy installation and service
- Combination sand and water drain makes servicing and winterizing fast and easy
- Maximum Operating Pressure 50 psi

Spider Gasket Replacement for Multiport Backwash Valves



1. Stop pump and release all pressure from system.
2. Place the selector handle at the "winterize" position (this lifts the plug off the seat).
3. Remove the nuts and bolts holding the cover to the valve body. Remove the cover assembly.
4. Remove the old gasket from the valve body.
5. Make sure that the gasket groove is free of water, grease, oils, debris and parts of the old gasket. Use alcohol to degrease.
6. **NOTICE:** Once this step is started, continue through Step 10 without interruption.

Using Loctite® 401, 403 and 416 OR 3M Scotch-Grip™ 4799 Industrial Adhesive, provided by Hayward, apply glue sparingly (a bead about 1/16" wide) to the bottom only (not the sides) of the spider groove in the valve body. The glue lines must be continuous and intersect at the intersections of the grooves.

7. Insert the new gasket into the groove with the rounded bead up. Press the gasket firmly into all groove areas to seat the new gasket evenly.
8. Align the tab on the cover assembly with pin on the valve body, fastening it with the bolts and nuts removed in Step 3. Tighten all bolts evenly.
9. Depress the valve handle and rotate it to the closest standard position (FILTER or RINSE), being careful not to rub the plug on the new gasket. Release the handle, allowing the plug to hold the gasket in place while curing.
10. Minimum cure time is 2 hours. Curing for 24 hours is recommended for full strength.





TOP MOUNT MULTI PORT VALVES

Size	Model #	Description	Price
1 1/2"	TM-12-A	6" UNC Thread (Fine V-Thread)	140.00
1 1/2"	TM-12-B	6" Buttress Thread (Course V-Thread)	140.00
1 1/2"	TM-12-E	Bolt Down 8 Bolts (7-11)	140.00
1 1/2"	TM-12-S	Clamp Down 7.5" Clamp Flange (American)	140.00
1 1/2"	TM-12-S8	Clamp Down 8.22" Clamp Flange (American)	140.00
1 1/2"	TM-12-H8	Clamp Down 8" Clamp Flange (SP711-13)	140.00
1 1/2"	TM-12-L	Clamp Down 8.25" Clamp Flange	140.00
1 1/2"	TM-12-JL	Bolt Down 6 Bolts Laser Filter	140.00
1 1/2"	TM-12-PB	5.98" Buttress Thread	140.00
1 1/2"	TM-12-CFC	Clamp Down 6.5" Clamp Flange	140.00
1 1/2"	TM-12-9BH	Clamp Down 9" Clamp Flange	140.00
2"	TM-22-L	Clamp Down 8.25" Clamp Flange	190.00
2"	TM-22-JAC	7 1/16" Buttress Thread	190.00
2"	TM-22-PB	Clamp Down 8.22" Clamp Flange	190.00
2"	TM-22-E	Bolt Down 8 Bolts	190.00
2"	TM-22-PA	Clamp Down 8.22" Clamp Flange w/o Diffuser Basket	190.00
2"	TM-22-H8	Clamp Down 8" Clamp Flange (SP716-21)	190.00
	12L-CLP	Clamp Ring Including Hardware (<u>Fits Top Mounted L-Style Flange</u>)	22.00





PoolCo USA

Praher Multi-Port Valves

SIDE MOUNT MULTI-PORT VALVES



PRE-PLUMBED MPVs FOR SAND FILTERS

Size	Model #	Description	Price
1 1/2"	SM1-HP3	SM-10-3 W Hayward Plumbing (5" Centers) 1.5" FIP	160.00
1 1/2"	SM1-HPX62	SM-10-3 W Hayward Plumbing F. Pro Series – 6" Centers	160.00
2"	SM2-HP3	SM 20-3 W/Hayward (5" Centers) 2" FIP (6" Center to Center Plumbing)	235.00
1 1/2"	SM1-PP3	SM-10-3 W/Pac Fab Plumbing, 1 1/2" FIP	175.00
2"	SM2-PP3	SM-20-3 W/Pac Fab Plumbing 2" FIP	
2"	SM2-HPX62	SM-20-3 W/Hayward Plumbing 2" FIP, Pro Series 6" Center	



PLUMBED MPVs FOR D.E. FILTERS

1 1/2"	SM1-HP2	SM10-2 W/Hayward Plumbing 5" Center, 1 1/2" FIP	160.00
2"	SM2-HPXR50	SM20-2 W/Hayward Plumbing 5" Center, 2" FIP	235.00
2"	SM2-HPXR50S	SM20-2 W/Hayward Plumbing 5" Center, 2" Socket	235.00
1 1/2"	SM1-PP21	SM10-2 W/Pac Fab Plumbing 1.5" FIP-FNS 4800 Discontinued, Replaced with SM1-PP2	-----
1 1/2"	SM1-PP2	SM10-2 W/Pac Fab Plumbing 1.5" FIP	160.00
2"	SM2-PP2	SM20-2 W/Pac Fab Plumbing 2" FIP	235.00

SIDE MOUNT MPVs W/OUT PIPING



1 1/2"	SM-10-AO	All Ports Open (FIP)	125.00
2"	SM-20-AO	All Ports Open (FIP)	155.00
1 1/2"	SM-10-AOS	All Ports Open (Socket)	125.00
2"	SM-20-AOS	All Ports Open (Socket)	155.00

PoolCo USA

PRAHER VALVES

TOP MOUNT MULTIPOINT VALVES CONVERSION CHART BY OEM HAYWARD



TANK	STYLE	VALVE	PRAHER VALVE #
S180T2-S244T2	Clamp On	SP0711-13	TM-12-H8
	Clamp On	SP0714T	TM-12-H8
S160T	Thread On	SP07122	TM-12-A
	Thread On	SP07121	TM-12-B
S310T,S360T	Clamp On	SP071621	TM-22-H8

JACUZZI



SPLASH-prv.label	Clamp On Valve	Splash	TM-12-H8
Laser	Bolt On Valve	DVK-4,6	TM-12-JL
Laser II	Clamp On Valve	DVK-7	TM-12-H8
Sand Storm 31	Clamp On Valve	DVK-C7	TM-22-H8
ST-33,ST-27	Screw Down	2VK-33	TM-22-JAC
30RMT,36FP	8 Bolts Bolt Down	42-1693-80	TM-22-E
42SP,48SP		42-1693-80	TM-22-E

STA-RITE



Cristal-Flo	Clamp On	WC112-148 (A)	TM-12-L
Panterra	8-Bolt Flange	14962-0105	TM-12-E
Waterford Systems	Clamp On	JSAL-01/03	TM-12-L
		JSAL-02-04	TM-12-L
		WC112-148	TM-12-L
		14971-TM-22L	TM-22-L

WATERCO



T450,500,600	Thread On		TM-12-PB
	Bolt On 12 Bolts		TM-22-L

JANDY



ST24-T,ST18-T	Thread On	A0102200	TM-12-B
SF30-T,SF32-T,SF36-T	Bolt On 12 Bolts	A0102300	TM-22-LA

W.Cooper



Rangers Series	Clamp On		TM-12-L
Also Private Label	Clamp On		TM-22-L

AMERICAN



22" Eclipse, Meteor	Clamp On	501131	TM-12-S
26",30" Eclipse	Clamp On	501130	TM-12-S8
30" Eclipse	Clamp On	501231	TM-22-S8

POOLCO



	Bolt On 8 Bolts		TM-12-E
	Clamp Down		TM-12-L

PAC FAB



TA-Series Prior '91	Screw Down		TM-12-A
TA-Series After '91	Screw Down		TM-12-PB
TA-D Series	Clamp Down		TM12-CFC*
TA-100D	Clamp Down		TM22-PB