

PoolCo USA

Spa Cover Order Form

Company Name: _____ Date: _____
 Address: _____
 City: _____ State: _____ Postal Code: _____
 Contact: _____ Phone: _____ Fax: _____
 Email Address: _____ Signature: _____

This completed form must accompany all cover orders before order can be placed.

Special Cover Prices

Includes freight to us - can not ship UPS

1 Std Cover up to 96"

LIST Price: **900.00**

2 Covers Each **850.00**

3 Covers Each **800.00**

Premier add **+140.00**

Volume Price may be combined with other dealer orders - just so they all ship together.

50% Deposit Required

Custom Items: Extra

****Please circle the 3 appropriate categories below****

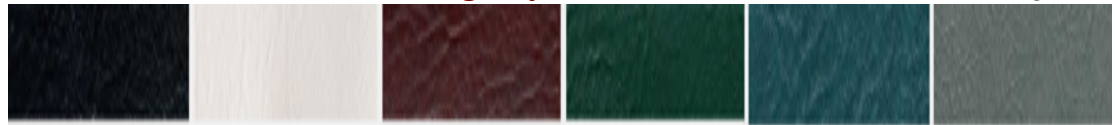
Model: (Standard 4" x 2" Taper) (Premier 5 x 3" taper) (MAXTOP – FRP sheet)

Skirt: 0" 1" 2" 3" 4" 5" 6" or (over 6" – Upcharge)

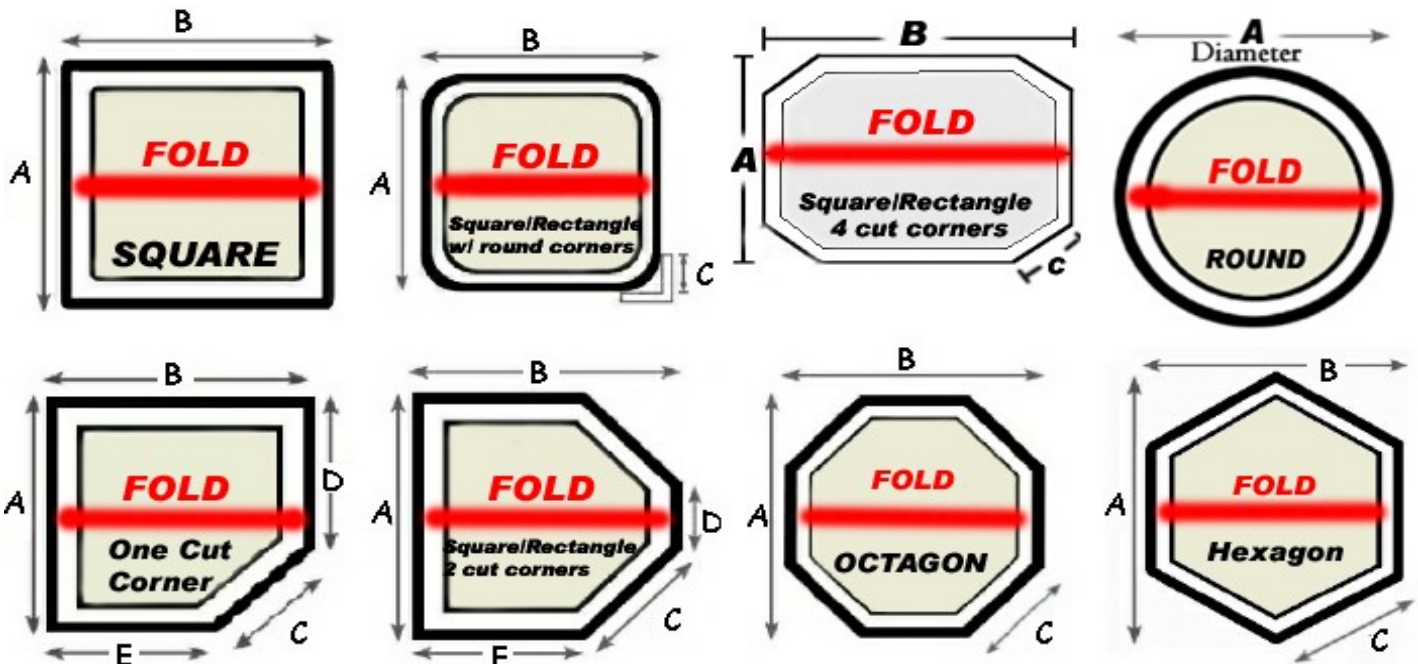
Colors: **Brown** **Tan** Almond Navy Blue Charcoal



Black White Burgandy Green Teal Gray



Circle cover style and write dimensions below in INCHES only.



Enter Dimensions: A _____ B _____ C _____ D _____ E _____

PoolCo uSA

PoolCo USA

Hydro-Quip™ Spa Equipment



HYDROQUIP™

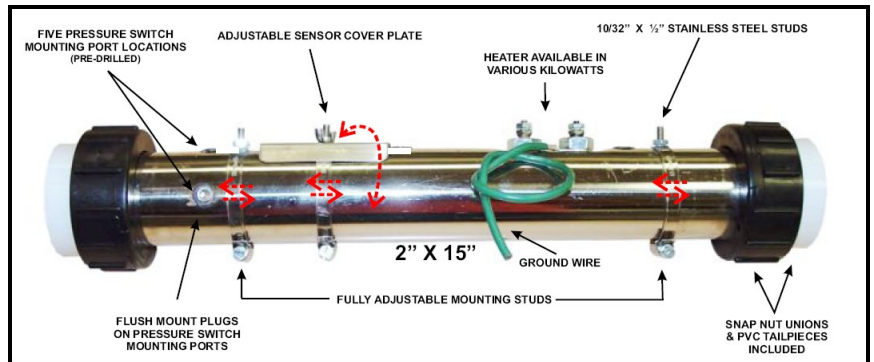
HeatMax RHS Series Heaters

Description	Voltage	Wattage	Price
Heatmax RHS 11	240	11	1,400.00

UNIVERSAL RITE-FIT HEATER ASSEMBLY

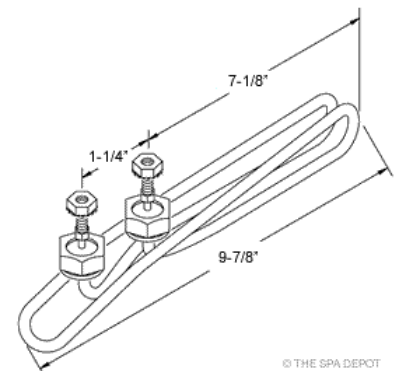
Hydro-Quip introduces our new universal *RITE FIT* heater assembly. This innovative design allows you to use the *RITE FIT* heater to replace many on the market today. Save on inventory and save space, no need to carry so many different models when you only need one, the *RITE FIT* universal heater!

From the ease of installation to the efficiency of our products, your customers will be glad you made the "Smart Choice" and chose equipment manufactured by Hydro-Quip, the industries oldest and most trusted supplier.



Model	Wattage (kW)	Size	Length	Price
48-1540-RS	4.0	2"	15"	140.00
48-1545-RS	4.5	2"	15"	140.00
48-1555-RS	5.5	2"	15"	140.00
Universal Heating Element	5.5	n/a	10"	60.00
Universal Heating Element	4.0	n/a	10"	60.00

Universal Thru Element 5.5kW



© THE SPA DEPOT



****See Hydro-Quip Catalog for other available items****

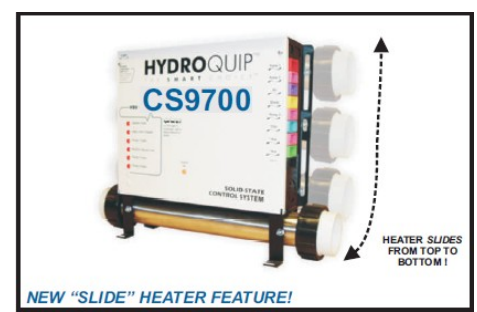
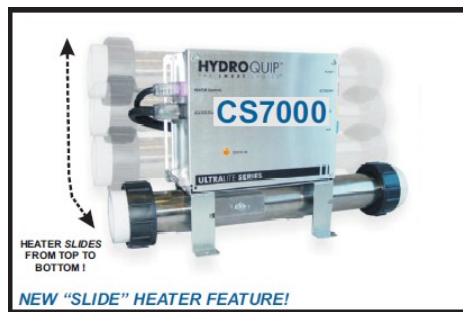
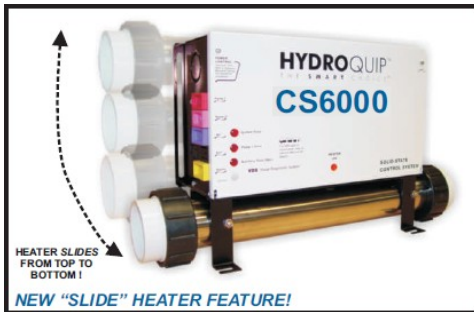
PoolCo USA

Hydro-Quip™ Spa Equipment



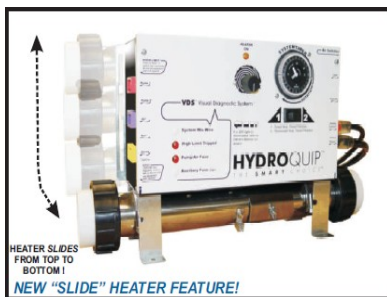
Solid State Control Systems

Model	Pump 1	Pump 2/ Blwr	Pump 3/ Blwr	Aux Circuit(s)	Blower	Ozone	Circ Pump	12V Light	Price
CS7109-US	2 Spd	N/A	--	--	--	Yes	N/A	Yes	795.00
CS7509-US	1 or 2 Spd	1 Spd	--	--	--	Yes	Yes	Yes	900.00
CS6229-US	2 Spd	2 Spd	N/A	--	--	Yes	N/A	Yes	950.00
CS9709-US	1 or 2 Spd	1 or 2 Spd	1 Spd	2	1-3 Spd	Yes	Yes	1-3 Step	1,350.00



Air Control System

Model	Pump 1	Pump 2	Blower	Ozone	Price
CS6009-US1	2 Spd	N/A	Yes	Yes	640.00



FEATURES & OPTIONS

Standard:

- 1.375/5.5KW "SLIDE" Heater Assembly
- 24hr Timer with Mode Switch
- Full Range Thermostat
- Ozone circuit (120V/240V)
- Light Circuit (12V)
- 1 Year Warranty
- Installation Kit

INSTALLATION KIT** (Included)

Kit Includes:

- Pump, Blower & Ozone Cords
- Air Transmitters (2 to 4 per)
- Air Tubing
- Tailpieces w/Gaskets

** Varies per system series model

All Circuits Are Convertible to 120 or 240VAC



****See Hydro-Quip Catalog for other available items****