

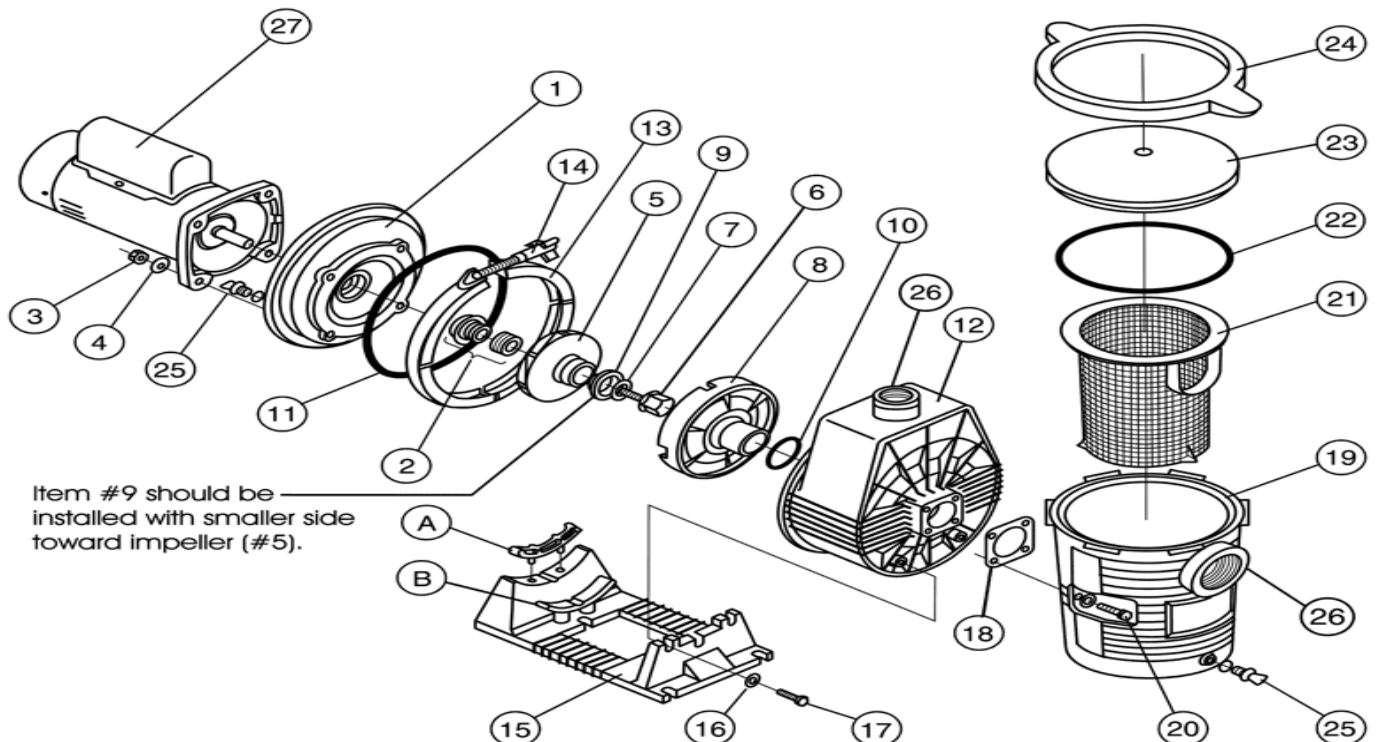
Ultra Flow Pump



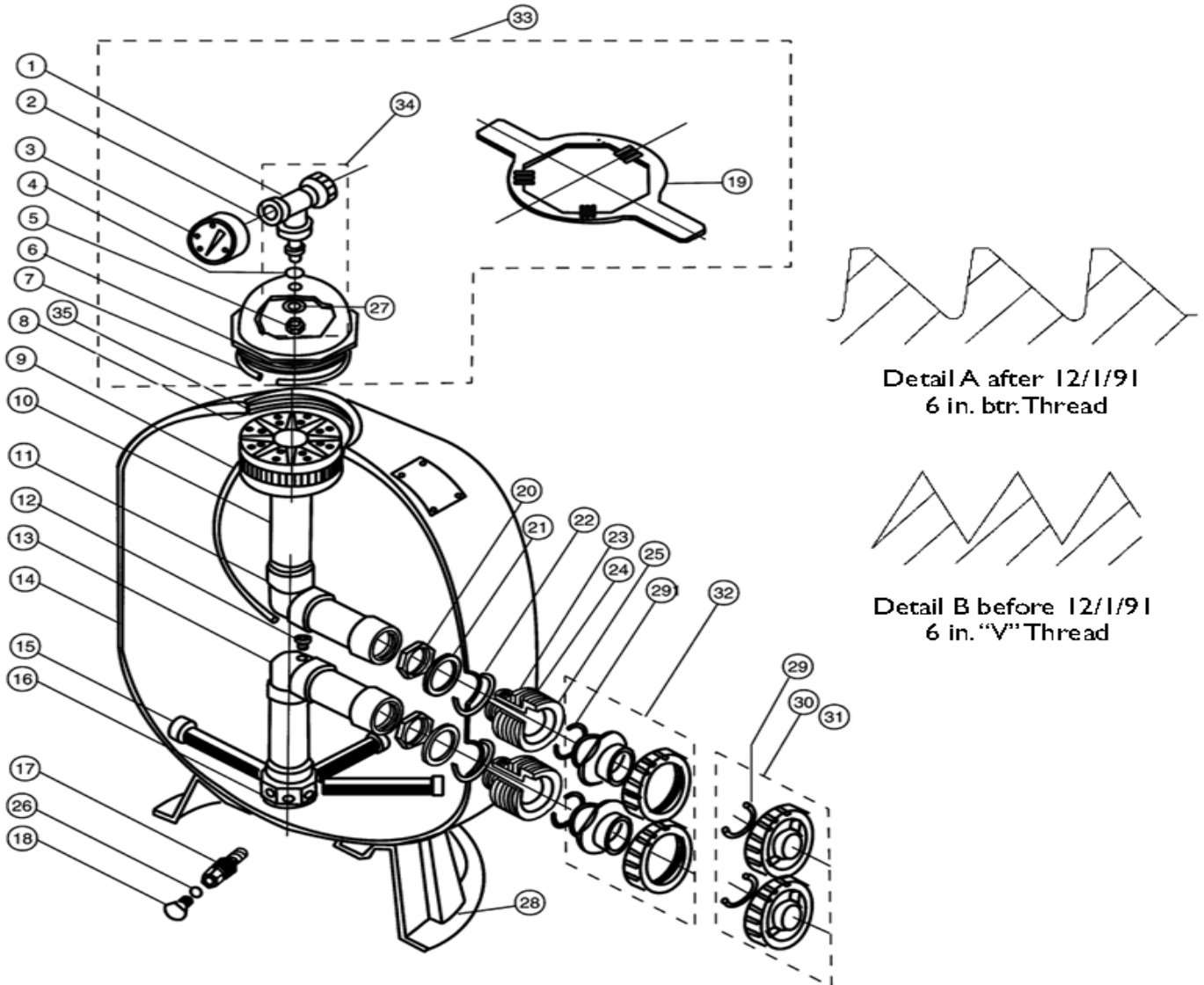
The first ones in the water.

Please be aware that this **Pentair Water / American Products** model pump is obsolete. Pentair no longer lists this model in their parts catalog. Parts to be obtained must be used or found wherever possible. Prices are now only a former list guide subject to current market prices.

FIG	Part No.	Description	Price
1	39004910	Seal plate, kit (Generic available)	150.00
2	39702000	Seal 1000 Use seal 1000 on page 22-7	N/A
5	39005610	Anti-spin implr. kit, ½hp / ¾ Up-rated	140.00
5	39005010	Anti-spin implr. kit, ¾hp / 1 Up-rated	140.00
5	39005110	Anti-spin implr. kit, 1hp / 1 ½ “ “	140.00
5	39005210	Anti-spin implr. kit, 1 ½hp / 2 “ “	140.00
6	39009900	Screw impeller. Lock, left hand thread	7.00
7	39010000	O-ring for impeller lock	1.50
8	39005500	Diffuser, ½ -1 ½ hp	52.00
8	39015500	Diffuser, 2-3hp	54.00
9	39006900	Weir ring	23.00
10	39006600	O-ring, diffuser Use O-244 on Page 22-18	N/A
11	39006000	O-ring, volute Use O-240 on Page 22-18	N/A
12	39005700	Volute, 1 ½”	260.00
12	39007000	Volute, 2”	170.00
13	39006200	Clamp assembly, volute	160.00
14	39302700	Knob, clamp	15.00
18	39501200	Gasket, pot to volute Use G-97 on 22-14	N/A
19	39201810	Pot, 1 ½” thread, upgrade kit 1 Limited	220.00
21	39303500	Basket (Generic now available-less cost)	60.00
22	39300300	O-ring, Lid o/s Use O-136 on Page 22-17	N/A
22	39300600	O-ring, Lid 2	20.00
23	39301700	Lid	55.00
24	39303000	Clamp assembly, Pot o/s	145.18
24	39105000	Locking ring, Pot lid n/s	55.00



Triton II Filter Parts



Costs below are List prices and standard dealer discount does not apply. Please call for your cost.

Fig.	Part No.	Description - Common parts only	Cost	Fig.	Part No.	Description - Common parts only	Cost
1	154689	Air Bleed / Tee Assembly	40.00	15	150085	Grey ¼ turn for 60 Lateral	10.00
2	154700	Brass Adapter	15.00	15	152202	9-1/8" Lateral for TR100	18.00
3	190059	Back Mount Gage – use generic	9.00	15	154540	12" Lateral for TR140	30.00
4	154661	Air Bleed Adapter O-Ring	2.00	16	154763	Hub for 40/50/60	50.00
5	154664	SS Nut 3/8"	2.00	16	154453	Hub for 100/140	140.00
6	154570	6" Closure V-Thread - Black	98.00	17	154698	¾" Drain fitting	28.00
6	154559	6" Closure - White	66.00	17	154685	½" Drain fitting	N/A
7	154493	Closure O-Ring use O-108 generic	4.50	19	154512	6" Closure wrench	32.00
8	154578	¼" Air Relief Strainer	14.00	19	154510	6" Metal Closure wrench	189.00
8	150035	3/8" Air Relief Strainer	10.00	29	274494	Adapter O-Ring - use generic-O-83	3.50
12	154440	Air relief tube connector-before 89	N/A	32	271096	1-1/2"x2" Adapter set kit	N/A
12	150036	Air relief tube connector-after 89	3.00	33	154856	8-1/2" Black Closure kit - new style	245.00
15	152290	6-11/16" Lateral for 40/50/60	10.00	N/L	154714	Bulkhead adapter kit	160.00

20" and 24" Top Mount 3000 Series Filters

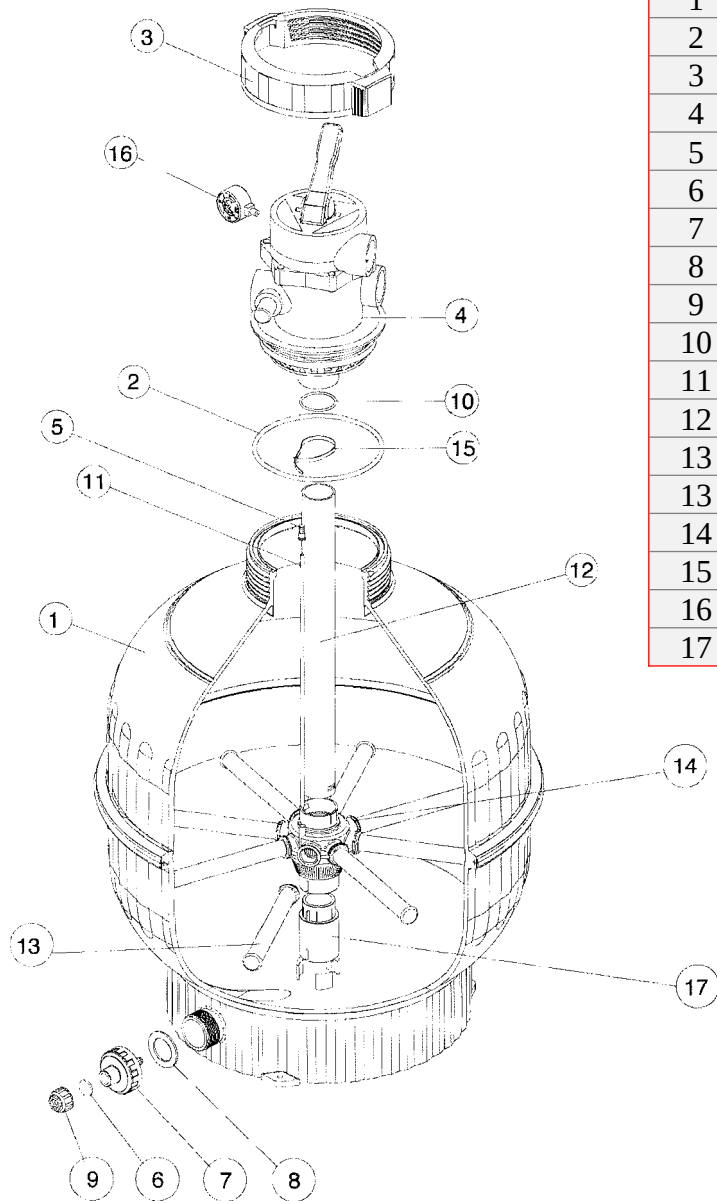
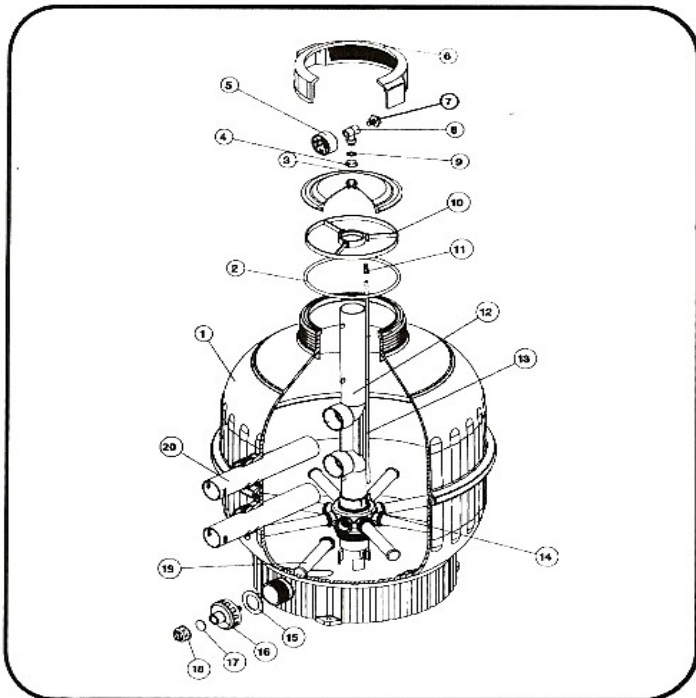


FIG.	Part No.	Description	Cost
1	15780 R 0101	Cantabric filter body, 20"	N/A
1	15781 R 0101	Cantabric filter body, 24"	N/A
2	721 R 1820060	Filter top o-ring	9.79
3	06611 R 0204	Top lock-ring	17.33
4	06621 R 0201	Top mount valve	130.00
5	00497 R 0411	Air Relief valve	0.50
6	15780 R 0603	Flat gasket	0.44
7	15780 R 0601	Sand drain cap	3.91
8	15780 R 0604	Flat gasket	0.33
9	15780 R 0602	Water drain cap	1.05
10	723 R 0049003	O-ring 49 x 3	0.77
11	05100 R 0405	Internal PVC tube, 6mm	0.72
12	15780 R 0204	Stand pipe	8.69
13	00627	Lateral arm, 160mm	1.27
13	00626	Lateral arm, 225mm	1.87
14	15782 R 0202	Lateral hub	12.21
15	00471 R 0413	Zip tie clamp	0.88
16	06611 R 0301	Pressure gauge-fact. orig.	9.00
17	15783 R 0202	Lateral support	2.54

20" Side Mount 3000 Series Cantabric Filters

Fig.	Part No.	Description	Cost
1	15782 R 0101	Cantabric filter body 20"	N/A
2	721 R 1820060	O-ring 192x182x6, 5	9.79
3	0555 R 0201	Transparent lid 173mm.	16.56
4	06671 R 0205	Reinforcing ring	0.50
5	06671 R 0401	Pressure gauge – Factory orig.	9.00
6	06671 R 0204	Threaded lid (black)	14.30
7	00648 R 0200	Air relief plug	2.59
8	00555 R 0401	Tee adaptor	2.42
9	00470 R 0319	Gasket 18, 5x12x2	0.83
10	15782 R 0205	Centering ring	2.75
11	00497 R 0411	Collector drain filter	0.50
12	15782 R 0203	Collector-diffusor elbow 20"	7.48
13	04586 R 0405	Pipe PVC 6mm.	0.72
14	15782 R 0202	Collector head PP (8 arms)	12.21
15	15780 R 0603	Gasket 53x44x3	0.44
16	15780 R 0601	Sand drain plug 1 1/2"	3.91
17	15780 R 0604	Gasket 25x3	0.33
18	15780 R 0602	Water drain plug	1.05
19	00627	Collector arm 160mm.	1.21
20	15782 R 0204	Outlet pipe Cantabric 20"	5.28



24" Side Mount 3000 Series Cantabric Filters

PoolCo USA

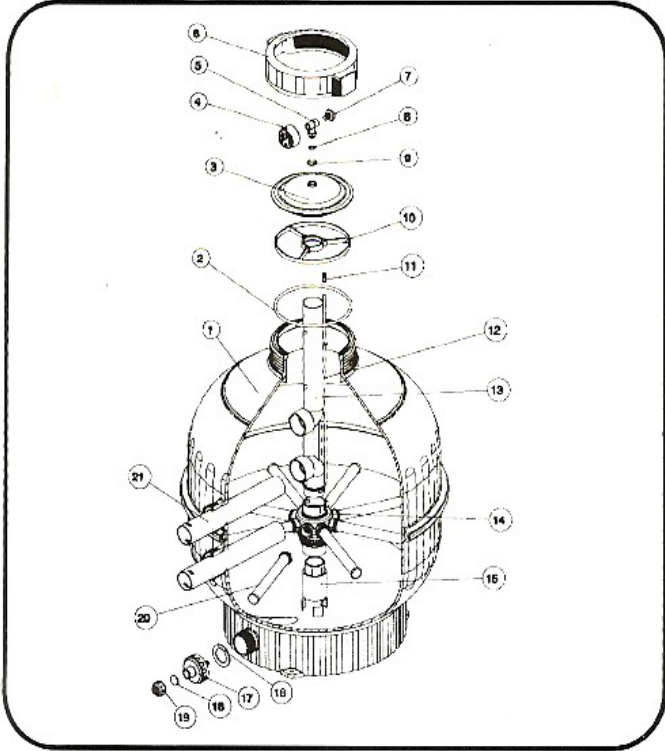


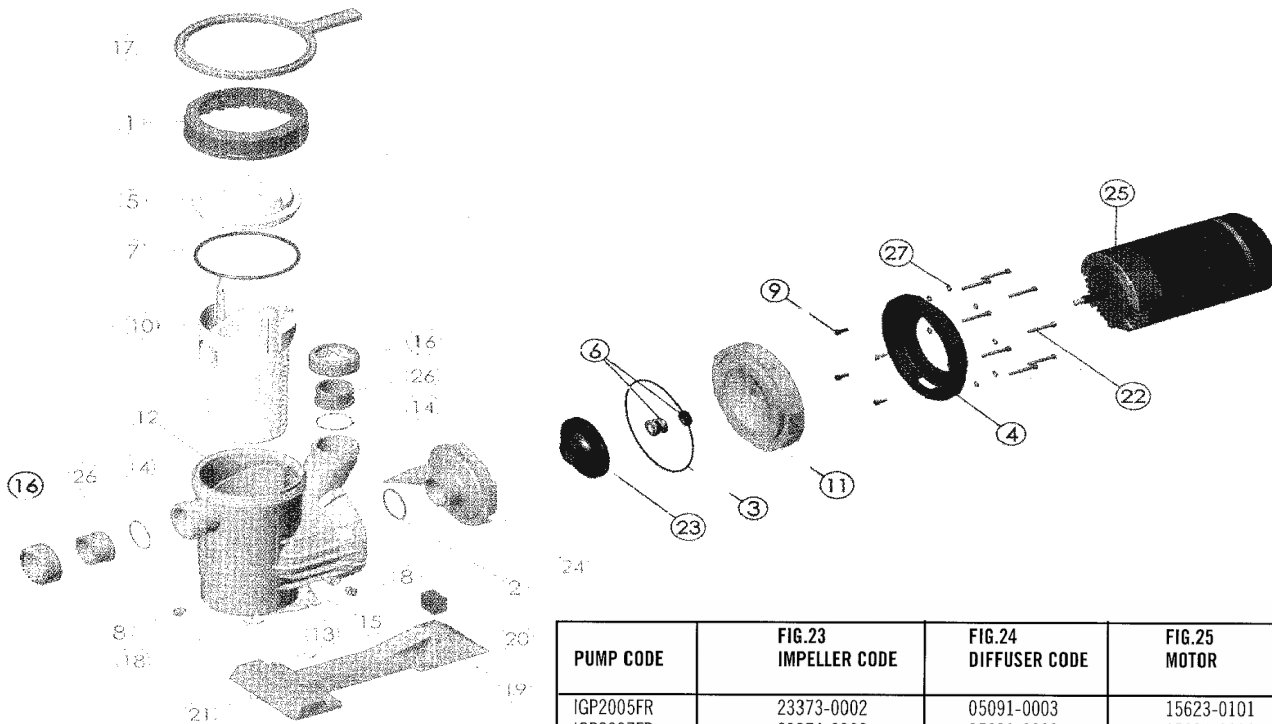
Fig.	Part No.	Description	Cost
1	15783 R 0101	Cantabric filter body 24"	N/A
2	721 R 1820060	O-ring 192x182x6, 5	9.79
3	0555 R 0201	Transparent lid 173mm.	16.56
4	06671 R 0401	Pressure gauge - Factory orig.	9.00
5	00555 R 0401	Tee adaptor	2.42
6	06671 R 0204	Threaded lid (black)	14.30
7	00648 R 0200	Air relief plug	2.59
8	00470 R 0319	Gasket 18, 5x12x2	0.83
9	06671 R 0205	Reinforcing ring	0.50
10	15782 R 0205	Centering ring	2.75
11	00497 R 0411	Collector drain filter	0.50
12	04586 R 0405	Pipe PVC 6mm.	0.72
13	15783 R 0203	Collector-diffusor elbow 24"	8.58
14	15782 R 0202	Collector head PP (8 arms)	12.21
15	15783 R 0202	Collector shim	3.74
16	15780 R 0603	Gasket 53x44x3	0.44
17	05780 R 0601	Sand drain plug 1 1/2"	3.91
18	15780 R 0604	Gasket 25x3	0.33
19	15780 R 0602	Water drain plug	0.50
20	00626	Collector arm 225mm.	0.19
21	15783 R 0204	Outlet Pipe Cantabric 24"	7.76

2000 Series Inground Pumps

ASTRALPOOL



Fig.	Part No.	Description	Cost	Fig.	Part No.	Description	Cost
1	00648-0001	Cover locking ring	10.78	19	15752-0002	Pump base	14.14
2	723R0567035	Diffuser O-ring 56,74x3,53	0.80	20	01150-0502	Anti-vibration support	0.33
3	7731838026	Motor clamp O-ring	3.60	21	9922179400	2x Pump base nut UNC 5/16-18	N/A
4	23372-0001	Motor clamp	13.53	22	8 x Housing Bolts DIN933 A-2W-1/ 2 1/4"		N/A
5	23372-0101	Strainer lid	18.93	23	Impeller	23373-0002	30.50
6		Seal assembly: US SEAL PS 201	20.00			23374-0002	30.50
7	720R1517069	Strainer lid O-ring 151,7x6,99	3.87			23375-0002	30.50
8	02121	2x Drain plugs	0.90			23376-0002	30.50
9	9920195222	4x Motor bolt UNC 3/8-16x7/8	8.53			23377-0002	30.50
10	01150-0202	Strainer basket	22.00	24	Diffuser	05091-0003	30.50
11	23372-0005	Seal clamp	16.94			05093-0003	30.50
12	23372-0203	Pump housing (seal plate)	40.16	25	Motor	15623-0101 See Motor Pages	N/A
13	70139080002x	Pump base washer D8 DIN9021	0.33			15624-0101	" N/A
14	01150-0301	2x Link flat gasket	0.50			15625-0101	" N/A
15	9920179442	2 Base bolt UNC5/16-18x1-1/4	1.15			15626-0101	" N/A
16	00611-0002	2x Union nut	6.22			15627-0101	" N/A
17	024309171	Strainer tool	6.22	26	Connection Union	01150-0304	2.98
18	01150-0503	2x Anti-vibration washer	0.33				



PUMP CODE	FIG.23 IMPELLER CODE	FIG.24 DIFFUSER CODE	FIG.25 MOTOR	FIG.26 CODE CONNec. UNION
IGP2005FR	23373-0002	05091-0003	15623-0101	01150-0304
IGP2007FR	23374-0002	05091-0003	15624-0101	01150-0304
IGP2010FR	23375-0002	05091-0003	15625-0101	01154-0304
IGP2015FR	23376-0002	05093-0003	15626-0101	01154-0304
IGP2020FR	23377-0002	05093-0003	15627-0101	01154-0304
IGP2007	23373-0002	05091-0003	15623-0101	01150-0304
IGP2010	23374-0002	05091-0003	15624-0101	01150-0304
IGP2015	23375-0002	05091-0003	15625-0101	01154-0304
IGP2020	23376-0002	05093-0003	15626-0101	01154-0304
IGP2025	23377-0002	05093-0003	15627-0101	01154-0304

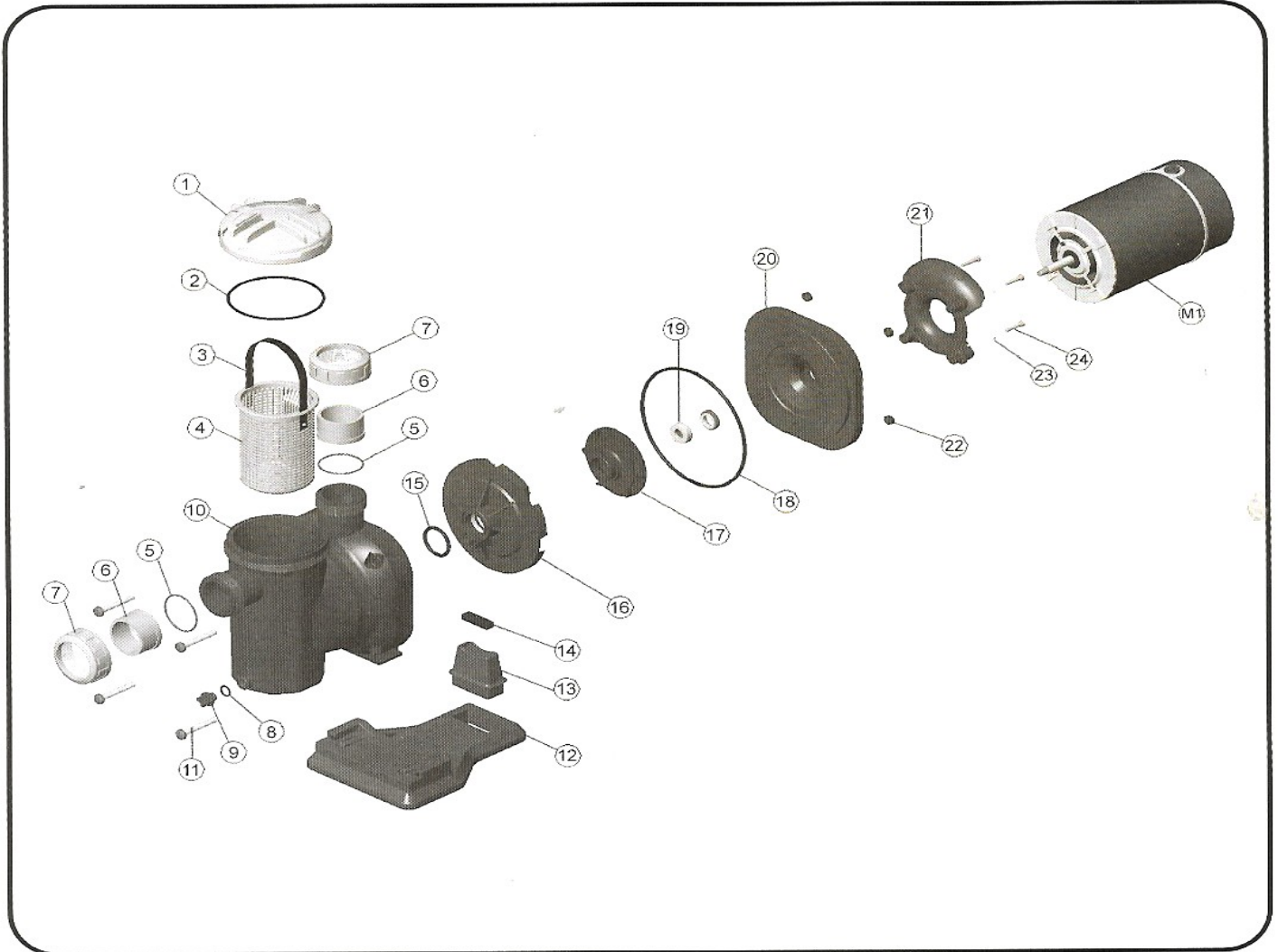


Fig	Part No.	Description	Cost	Fig	Part No.	Description	Cost
M1	27455-0475	MOT.BN80 ¼ HPAGL75FL1NB	See	11	7023308060	Screw M8x60mm.	1.50
M1	27456-0475	MOT. BN81 1HP AGL10FL1NB	Motor	12	25461-0502	Bacap pump base	8.80
M1	27457-0475	MOT. BN 82 1½ HP Special-call	Pages	13	25461-0503	Silen-block support	5.90
M1	27465-0475	MOT. BN 36 ¾ HP 2-sp	"	14	15238-0004	Silen-block C.63	0.90
M1	27466-0475	MOT. BN 37 1 HP 2-sp	"	15	7730380050	O-ring 38x5mm. NBR70	1.50
M1	27467-0475	MOT. BN 34 1 ½ HP 2-sp	"	16	25463-0003	C.71 Bacap Diffuser	8.60
1	25461-0102	Bacap pre-filter cover	10.00	17	25463-0400	Impeller .75 CV USA	30.00
2	77A1180040	O-ring 118x4mm NBR 50	3.50	17	25465-0400	Impeller 1 CV USA	30.00
3	24561-0205	Bacap basket handle	2.00	17	254467-0400	Impeller 1.5 CV USA	30.00
4	24561-0202	Bacap strainer	4.60	18	77A1800050	O-ring 180x5mm.	3.70
5	7730540025	O-ring 54x2.5mm NBR 70	0.80	19	27455-9601	Seal 5/8" Use 200 seal	7.75
6	27455-0206	Union 1 ½" USA	2.50	21	27455-0004	C. 48Y Motor Clamp	20.50
7	02193	Union nut	2.50	22	27455-0476	Motor adapter	4.60
8	7230130025	Draining plug o-ring	0.40	23	7012108000	Nut M8 DIN934	0.15
9	19028-0103	Draining plug	0.85	24	7025105000	Washer M5 DIN433	0.15
10	25461-0203	Bacap pump housing	47.30		7020705025	Screw M5x25mm.	0.45

PoolCo USA

Waterway Champion Pump

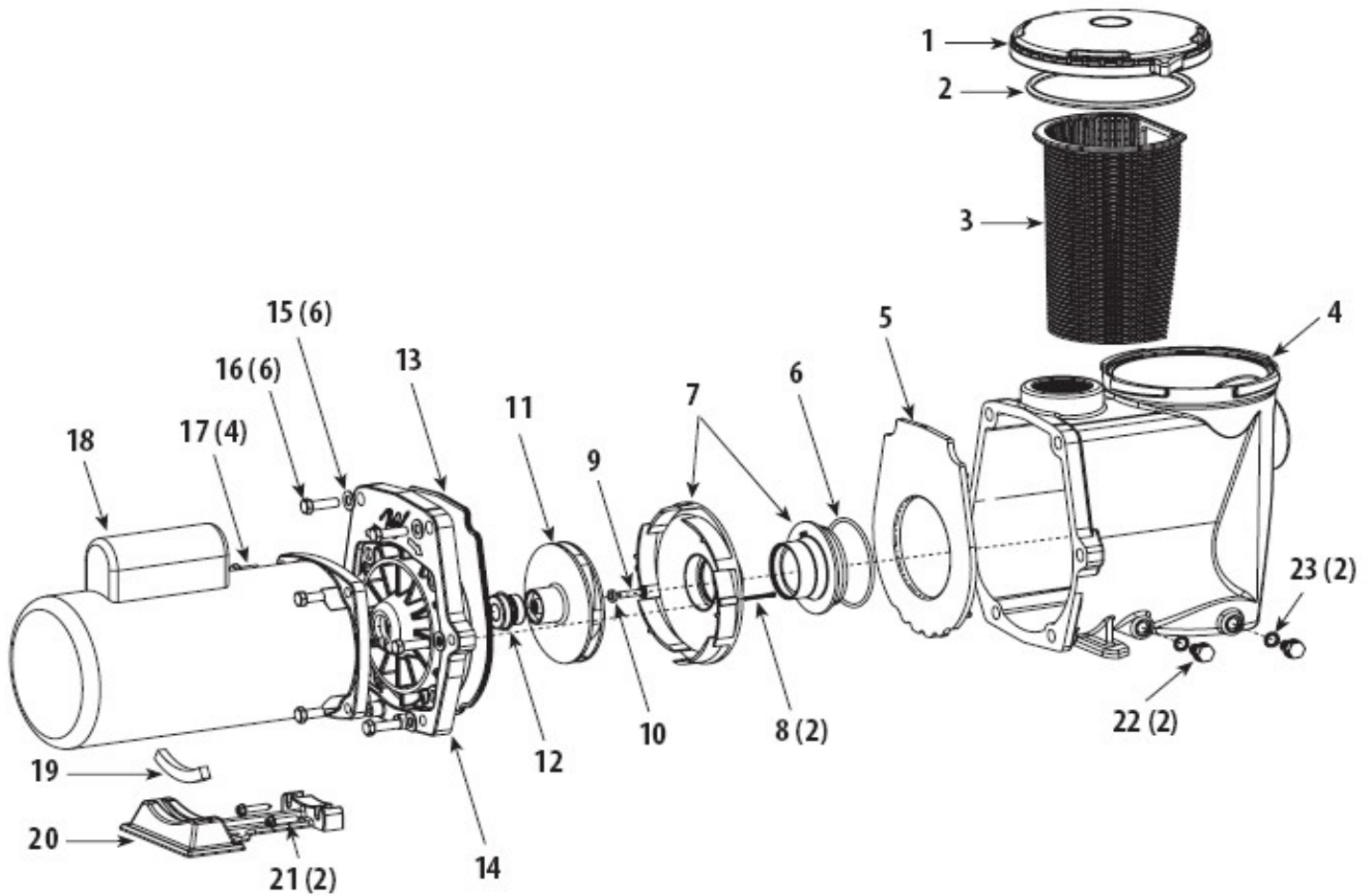


Fig	Part No.	Description	Cost	Fig	Part No.	Description	Cost
1	319-3260	Trap Lid	38.00	11	310-7400	Champs 107 Impeller	59.00
2	805-0436	Lid O-Ring	9.00	11	310-7410	Champs 110 Impeller	59.00
3	319-1430B	Basket W/Extension	18.00	11	310-7420	Champs 115 Impeller	59.00
4	315-1400	Pump Housing	240.00	11	310-7430	Champs 120 Impeller	59.00
5	319-1420	Diffuser Plate	48.00	11	310-7440	Champs 125, 130 Imp	59.00
6	805-0238	Diffuser O-Ring	4.00	12	319-3110B	Viton Seal Use 1000V	14.00
6	310-7470	Diffuser	69.00	13	711-1400	Face Plate Gasket	14.00
7	310-7460	Diffuser 130 Model	69.00	14	311-1450	Face Plate	82.00
8	819-0018	Bolt #4 x 40	1.50	18	Motor	See Pages 22-1 to 6	
9	819-4360	Screw Left Thread	3.50	22	805-0014	Plug O-Ring	.90
10	711-4300	Screw Gasket	6.00	23	715-1201	3/8 Drain Plug	4.00

Please call for new pricing at time of order.

Waterway SVL 56 High Flow Pump

Parts

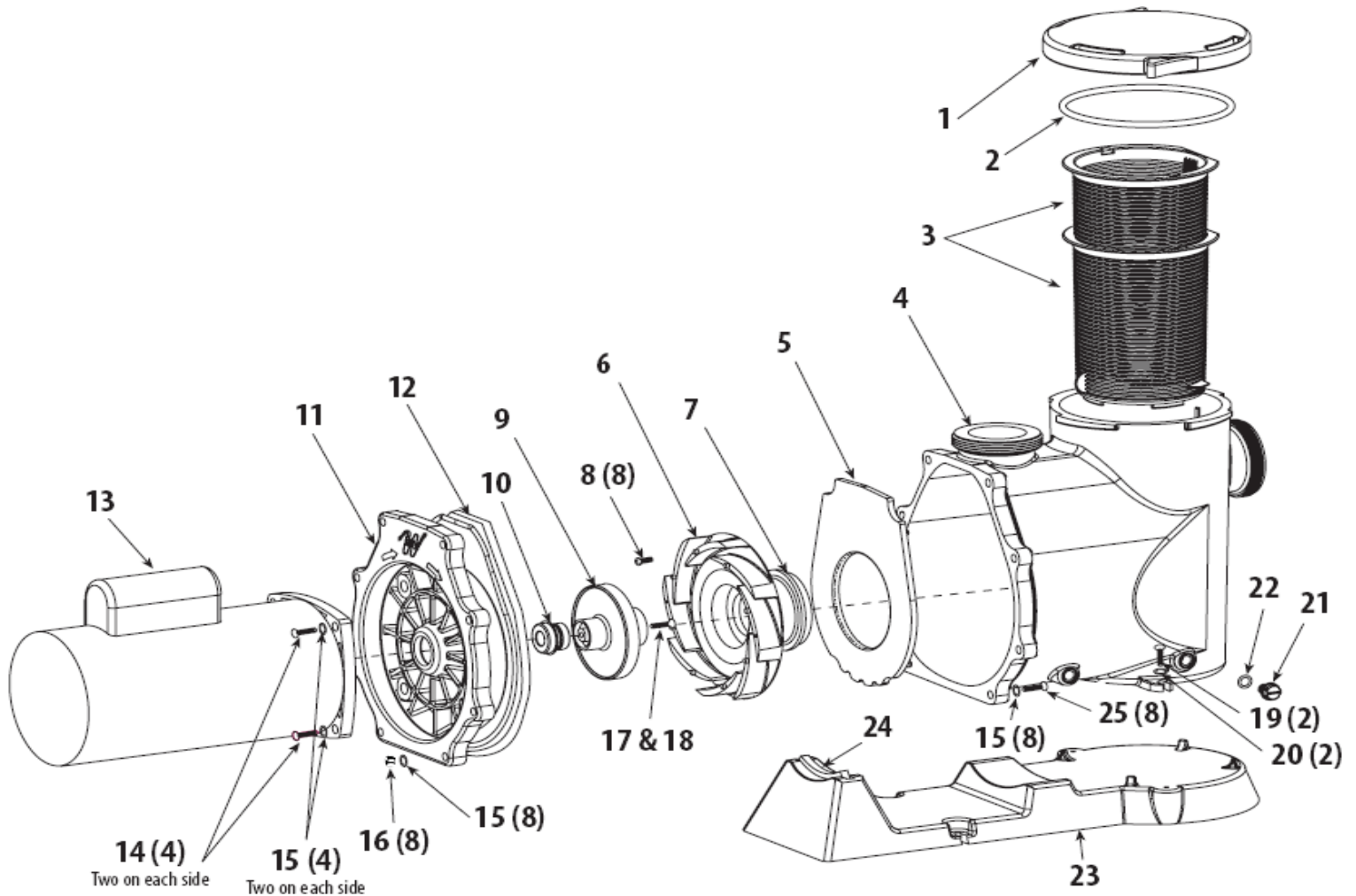


Fig	Part #	Description	Cost	Fig	Part #	Description	Cost
1	511-1310	Trap Lid	50.00	9	310-3660	Impeller – High Flow	62.00
2	805-0439	Trap Lid O-ring	9.00	9	310-3670	Impeller – High Flow	62.00
3	319-1310	Basket Assy.	28.00	9	310-3680	Impeller – High Flow	62.00
4	315-1300	Volute Assy.	260.00	10	319-3110B	Viton Seal Use 1000V	14.00
6	310-3300	Diffuser-High Flow only	66.00	11	311-1400	Volute Face Plate	89.00
7	805-0238	Diffuser O-ring	3.00	12	711-4290	Face Plate Gasket	18.00
8	819-0018	Diffuser Screw	1.90	13	Motors	See Motor Pg. 22 1-6	-----
9	310-3650	Impeller - High Flow	62.00	21	715-1201	Slotted Drain Plug	4.00

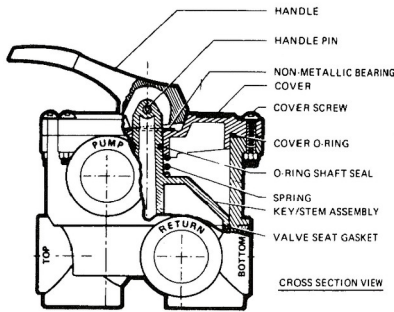


Use Standard Dealer Discount For Above Pricing Not The Higher Cost Parts Multiplier.

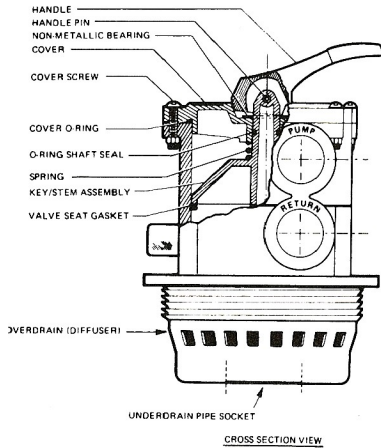
HAYWARD Multiport Valve Parts

NOTE: Dealer discount does not apply to Hayward original parts. Call for multiplier.

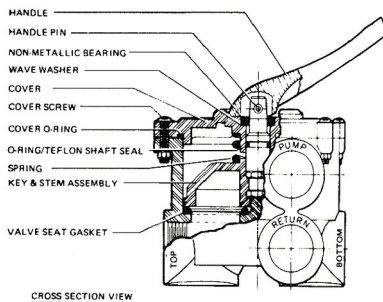
**SP0710X SERIES
(1977)**



SP0712 SERIES



**SP0710 SERIES
(1969 - 1975)**



Cat. Nos. SP0710, 0711, 0712 Vari-flo Valves (1976-Present)

Part No.	Description	Ctn. Qty.	Price
SPX0710XF	Handle	10	14.00
SPX0710XZ7	Handle pin	25	5.90
SPX0710Z16	Non-metallic bearing Use G-363	25	5.00
SPX0710XZ3	Cover O-ring Use O-48	10	12.00
SPX0735GA	O-ring/ Teflon Shaft Seal Use O-483Kit	10	6.00
SPX0710Z1A	Cover screw w/nut (set of 6 each)	10	16.15
SPX0603S	Spring	5	11.72
SPX0710Z62	Spring washers (set of 2)	25	5.17
SPX0710K	1/4" Plastic pipe plug	25	2.49
SPX0710XD	Valve seat gasket 5 spoke- for "X" Valve body Use O-176A	10	19.00
SPX0710XC	Key/ Stem assembly- Noryl	10	42.00
SPX0710XBA	Key, cover & handle assembly- white	5	102.00
SPX0710XBA17	Key, cover & handle assembly- black	5	102.00
SPX0710MA	Threaded sight glass w/gasket	10	9.00
SX200Z9	Gasket for threaded sight glass	25	1.50
SPX0710XALLAA	Valve body w/gasket & sight glass- style "ALL"	1	129.00
SPX0710XA3A	Valve body w/gasket & sight glass- style "3"	1	N/A
SPX0711AA	"GM" Flange mount style valve body w/gasket, sight glass, & diffuser (black)	1	N/A
SPX0710X32AA	Valve body w/filter tank pipes and lock nuts- for S200 & S240	1	165.00
SPX0710XR50AA	Valve body w/gaskets & sight glass- w/filter tank pipes and locknuts- "Reverse" Style- for DE Series only	1	165.00
SPX0710X62AA	Valve body w/filter tank pipes & nuts- for Pro Series (side mount) only	1	180.00
SPX0712AA	Top mount threaded valve body	1	160.00
SPX07122AA	Top mounted threaded valve body (for Pac-Fab 6" UNC)	1	155.00
SPX0710Z9	3M Adhesive, 5oz. Tube for seat gasket	10	52.00
GO-KIT10	Gasket & O-ring repair kit for above		
Note: Parts below are for SP0710 & 0711 series (1969-1975). These parts are not interchangeable with current production models.			
SPX0710Z7	Handle pin	10	5.90
SPX0710Z8	Wave washer		N/A
SPX0710Z3	Cover, O-ring Use O-48	10	9.50
SPX0603Z2A	O-ring/ Teflon shaft seal	1	6.00
SPX0710D	Valve seat gasket, 6 spoke Use O-176	10	22.00
SPX0710XBA	Key, cover & handle assembly- replaces SPX0710B(cover) and SPX0710C	5	102.00

PoolCo USA

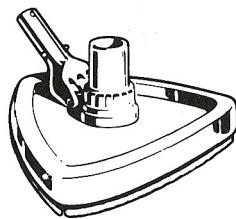
Hayward Main Drain Replacement Parts

NOTE: Dealer discount does not apply to Hayward original parts. Call for cost.



Main Drains			
Part No.	Description	Ctn. Qty.	Price
WGX1153B	Adjusting Collar- For SP1153, 1154 AV Series	5	17.00
SPX1411Z5A	Grate Securing Screw (Set of 2)	10	5.80
WGX1058C	Frame, 7 3/4" O.D. (SP1058, 9, SP1030)		N/A
SPX1058D	Gasket (SP1058, 9) set of 2	10	26.00
WGX1048B*	Frame, 7 7/8" O.D. (SP1048, 9) Available in Generic	10	14.00
SPX1048D	Gasket 2 set Available in Generic Use G-112P or R	10	12.00
SPX1039Z18	Vinyl Ring Screw (Set of 8) (SP1048, 9)	10	12.00
WGX1048E	VGB Dome Type Cover-fits all Available in Generic	10	32.00
SPX1030Z1A	Screw for use with SPX 1048E only (Set of 2)	10	3.80
WGX1030Z2A	Screw for WGX1048E only (Set of 2)	10	4.50
SPX1051Z1	1 1/2" Plastic Pipe Plug	10	3.50
SPX1053Z1	2" Plastic Pipe Plug	10	4.00
SPX1035B	Gasket (SP1035B)	5	4.80

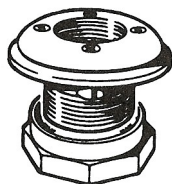
Hayward Vacuum Cleaner Parts



SP1068
SP1068DL
SP1069
SP1069DL

Cat. No. SP1068DL/ 1069/ 1069DL Super Vacs			
SPX1068G3	Brush (Set of 3)- For SP1068	5	39.00
SPX1069B3	Brush (Set of 3)- For SP1069	5	40.00
SPX1068C	Knurled Locknut	10	6.00
SPX1068DE	Swivel Hose Connector Set, 1 1/4" & 1 1/2"	5	9.70
SPX1068Z1A	Bracket Bolt with Nut	10	4.85
SPX1067QA	Quik-Snap Handle Connector with Spring	25	26.00
SPX1067S	Snap Spring Only	25	2.81
SPX1068A	Upper Body		N/A

Hayward Fitting Parts



SP1408

Cat. Nos. SP1411, 14071, 1408			
SPX1411B	Face Plate (SP1411, 14071) Available in Generic	25	10.00
SPX1408B*	Face Plate- White Available in Generic	25	4.50
SPX1411Z12	Gasket (Set of 2) (SP1411, 14071) Use G-88	10	10.00
SPX1408C	Gasket Use G-226	25	5.00
SPX1411Z1A	Face Plate Screw (Set)	10	10.98
SPX1407D	Locknut Spacer (SP14071, 1408, 1025) 2 1/2"	75	6.62
SPX1039Z1A	Face Plate Screw (Set) (SP1408)	10	6.90

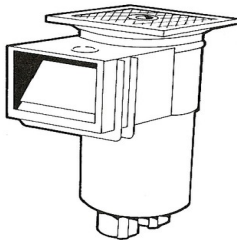
* Add suffix GR for grey and BLK for black.

All Generic Parts listed are priced at full dealer discount not OEM lesser discounts.

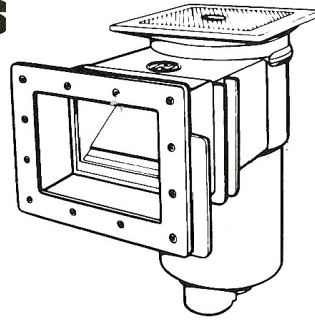
HAYWARD SKIMMERS

Automatic Skimmers

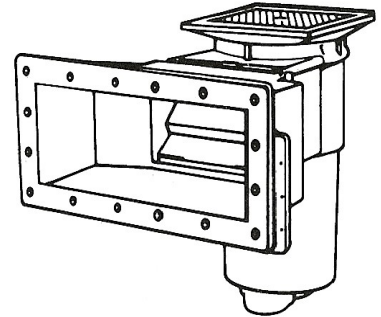
REPLACEMENT PARTS



SP1082



SP1084
SP1086



SP10851

Cat. Nos. SI 35,

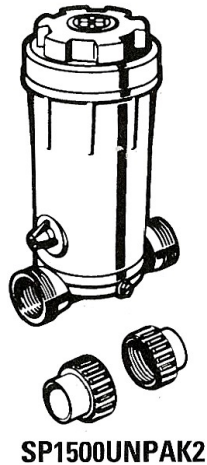
Part No.	Description	Ctn. Qty.	Price
SPX1082E*	Cover, Square Available in White & Grey Generic	10	23.00
SPX1082Z1	Cover Screw (Square Cover)	10	1.50
SPX1082F	Adjusting Collar	4	38.00
SPX 1082EFDGR	Grey Square Collar and Cover Assy. Use Generic	4	60.00
SPX1084R	Cover, Round	10	33.00
SPX1084Z9	Cover Screw (Round Cover)	2	3.55
SPX1084P	Round Extension Adjusting Collar Use Generic	10	30.00
SPX1082CA	Basket, 6 1/2" O.D. x 5" Use Generic B-152	18	24.00
SPX1082N2	Handle For SPX1082CA Basket	10	4.00
SPX1082D	Basket Support Ring	10	10.00
SPX1082K	Weir Use Generic	10	24.00
SPX1082H1A	Slide Plate with Screw	10	7.00
SPX1082Z3	Vacuum Hose Adapter	10	7.80
SPX1053Z1	2" Pipe Plug	10	3.50
SPX1082Z2	2" x 1 1/2" Reducing Bushing	5	13.00
SPX1084L	Face Plate, (SP1084) Use Generic	20	22.00
SPX1085B	Face Plate, (SP1085) Use Generic	10	36.00
SPX1084B	Gasket, (SP1084) set of 2 Use Generic G-113	10	24.00
SPX1085D	Gasket, (SP1085) set of 2 Use Generic G-157	10	30.00
SPX1084C	Spacer (SP1084)	10	13.90
SPX1084Z1A	Face Plate Screw Set (SP1084)	10	18.00
SPX1084Z4A	Face Plate Screw Set (Self-Tapping) (SP1084)	10	18.00
SPX1084Z4AM	Face Plate Screw Set- 1 1/4" long (Self-Tapping)	10	19.00
SPX1085Z1A	Face Plate Screw Set (Self-Tapping) (SP1085)	10	23.00
SPX1085Z1AM	Face Plate Screw Set- 1 1/4" long (Self-Tapping)	10	24.00
SPX1084B3	Gasket- SP1084OM 2 set Use Generic G-113	10	24.00
SPX1085D2	Gasket- SP1085OM 2 set Use Generic G-157	10	30.00

Standard Dealer Discount Does Not Apply On Original Hayward Parts Cost.

PoolCo USA

Chlorine and Bromine Feeders

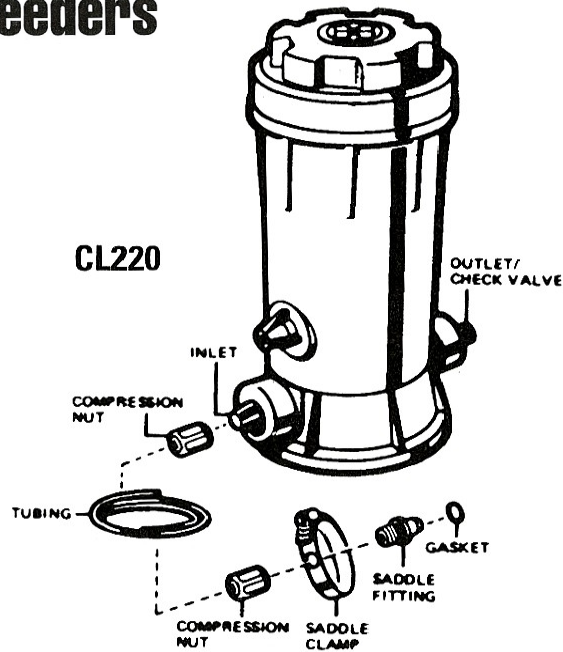
REPLACEMENT PARTS



CL200



SP1500UNMPAK1

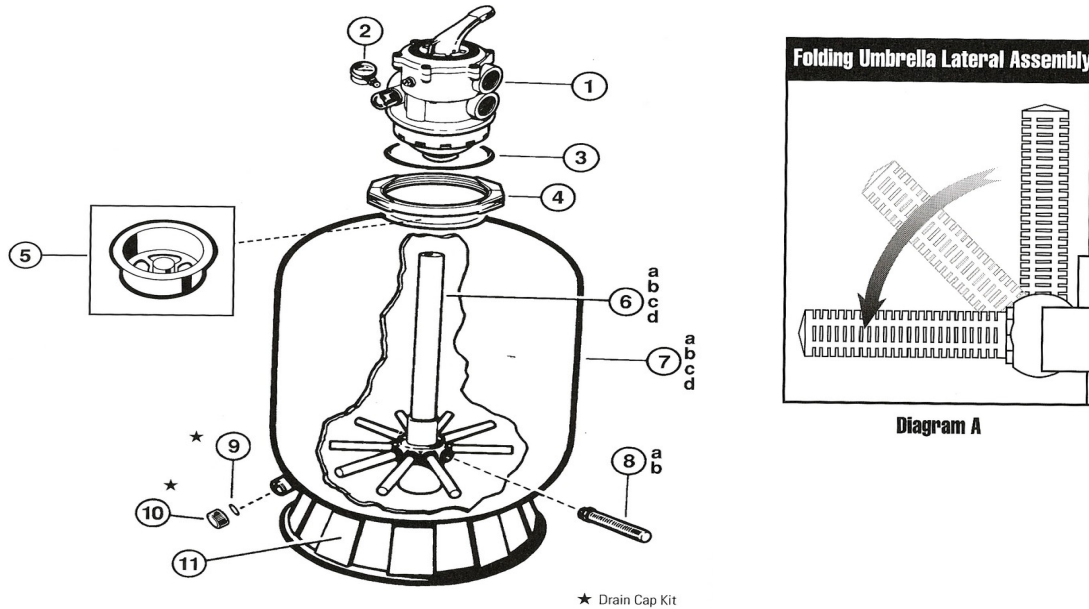


CL220

CL200 & CL220 Series Chlorine Feeders			
Part No.	Description	Ctn Qty	Price
CLX200EGA	Cover Retaining Screw w/lip washers & Center Cap	10	10.69
CLX200C	Cover Cap*	5	23.91
CLX200CA	Cover & Cap Assembly, includes O-ring	5	82.14
CLX200B	Cover*	5	19.90
CLX200K	O-ring, Special Composition Viton	10	34.00
	Above Generic O-ring Use O-231V & O-231 non Viton		
CLX200H	Feeder Tube	10	5.64
CLX200PA	Control Knob Ass'y. w/ O-ring (Viton)- large (1989)	10	16.65
CLX200LA	O-rings (Viton) w/ "C" Ring (Set of 3)		N/A
SPX1700FGV	Drain Plug with Gasket	10	6.00
CLX220B	Base (CL220)	5	16.82
CLX200BS	Base (CL200)	5	18.52
CLX220EA	Check Valve & Inlet fitting adapter Assembly	5	14.45
CLX220GA	Saddle Fitting, Nut, Gasket, Saddle Clamp & 4' Tubing	5	21.13
CLX220K	Saddle Clamp	10	8.17
CLX220J	8ft. Length Chlorinator Tubing	5	13.32
CLX220H	Compression Nut	10	2.53
CLX220P	¼" Adapter Fitting	5	2.49
SPX1091Z7TC	Combo Adapter with ¼" Tap	10	6.70
SPX1105Z4TC	Elbow Adapter with ¼" Tap	10	8.99
SPX140BTC	Union End with ¼" Tap	5	17.16
Chlor parts kit	Above offline parts kit w/tube is stocked in Generic at special cost		CALL

Pro™ Series

S180T, 210T, 220T, 244T SAND FILTER SERIES REPLACEMENT PARTS



NOTE: Dealer discount does not apply to Hayward original parts. Call for cost.

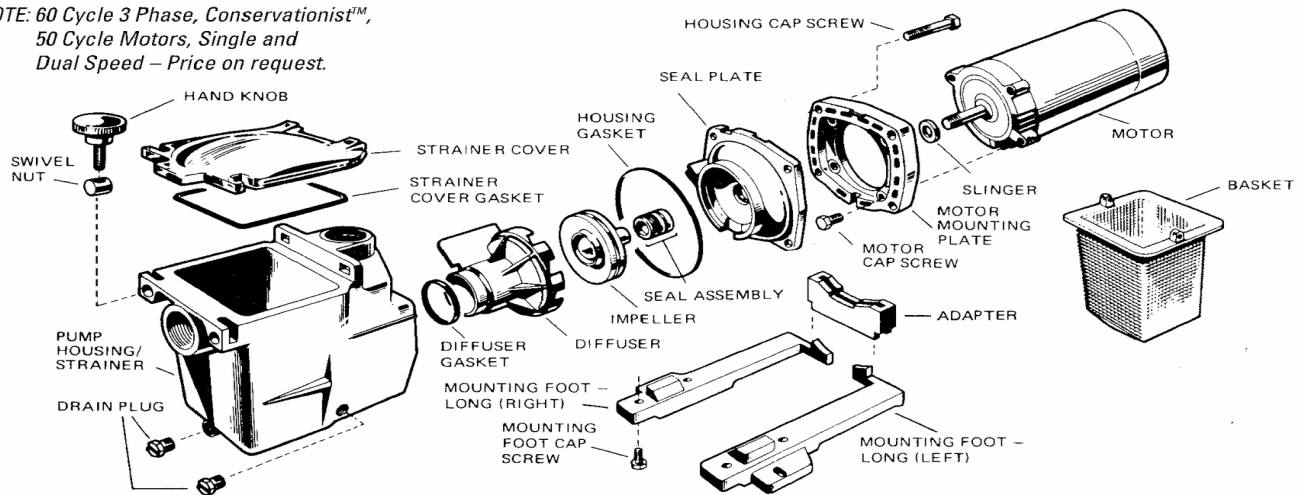
Ref. No.	Part No.	Description	Ctn. Qty	No. Req.	Price
1	SP0714T	Vari-Flo XL Control Valve- 1 ½" See Valve Pages & Praher	1	1	-----
2	ECX270861	Pressure Gauge See Generic Gages – Page 21-1	10	1	21.42
3	GMX600F	Valve/ Tank O-ring Use O-263	10	1	16.00
4	GMX600NM	Flange Clamp, Noryl	5	1	52.00
5	SX202S	Sand Shield (1997- 2004) Corrugated design	5	1	5.15
6a	SX180DA	Folding Umbrella Lateral Ass'y with Center Pipe (S180T)	1	1	122.00
6b	SX210DA	Folding Umbrella Lateral Ass'y with Center Pipe (S210T)	1	1	130.00
6c	SX220DA	Folding Umbrella Lateral Ass'y with Center Pipe (S220T)	1	1	140.00
6d	SX230DA	Folding Umbrella Lateral Ass'y with Center Pipe (S230T)	1	1	145.00
6e	SX244DA	Folding Umbrella Lateral Ass'y with Center Pipe (S244T)	1	1	158.00
7a	SX180AA2	Filter Tank with skirt, drain, lateral Assembly (S180T)	1	1	520.00
7b	SX210AA1	Filter Tank with skirt, drain, lateral Assembly (S210T)	1	1	560.00
7c	SX220AA1	Filter Tank with skirt, drain, lateral Assembly (S220T)	1	1	610.00
7d	SX230AA1	Filter Tank with skirt, drain, lateral Assembly (S230T)	1	1	640.00
7e	SX244AA1	Filter Tank with skirt, drain, lateral Assembly (S244T)	1	1	730.00
8a	SX200Q	Lateral (S180T) Old Pre '97	10	10	6.00
8b	SX240D	Lateral (S210T,S220T, S244T) "	10	10	8.00
8c	SX200QN	Lateral (One piece) w/ hub "	10	10	8.00
8d	SX240DN	Lateral (One piece) w/ hub "	10	10	8.00
9a	SX180HG	Drain Cap Kit (Drain Cap & Gasket)	25	1	7.00
9b	SX180LA0	Drain Cap Assy (Cap, Gasket & Screen)	1	1	12.00
11	SX200J	Filter Support Stand (Skirt)	2	1	90.00
12	SX180K	System Base- S180T Systems	2	1	110.00

PoolCo USA

Super Pump® SP2600X PUMP SERIES (MAX RATED) REPLACEMENT PARTS

Parts for Pump Models: SP2600X5, 2605X7, 2607X10, 2610X15, 2615X20, 2621X25

NOTE: 60 Cycle 3 Phase, Conservationist™,
50 Cycle Motors, Single and
Dual Speed – Price on request.



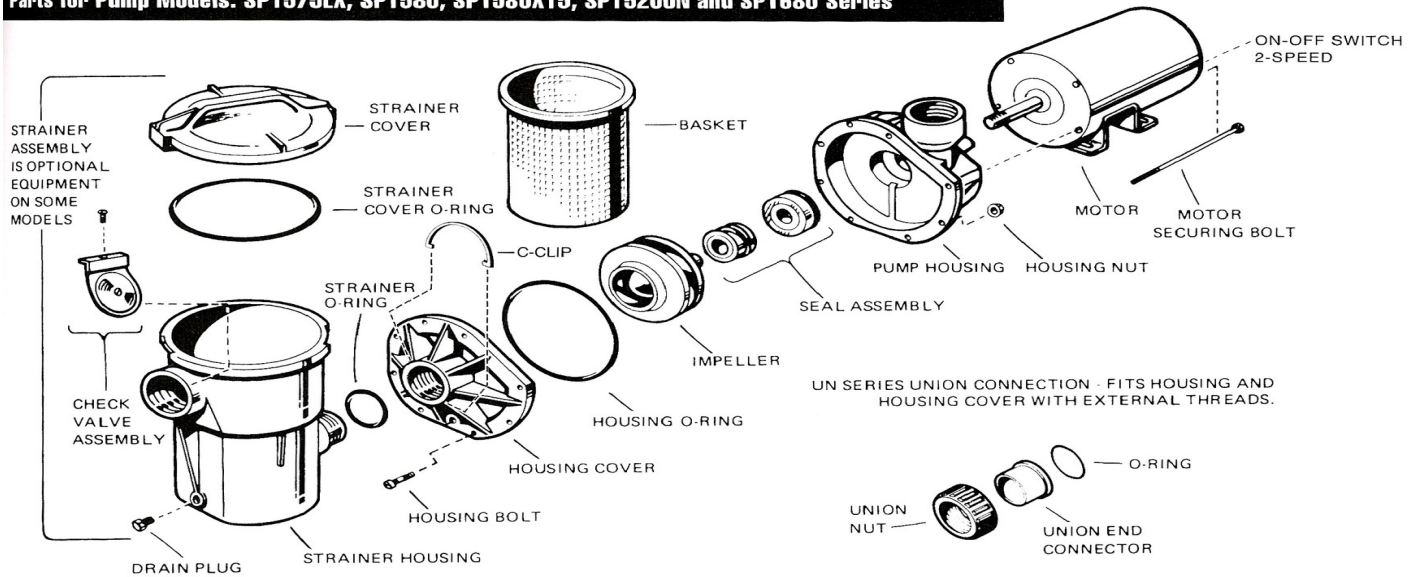
NOTE: Dealer discount does not apply to Hayward original parts. Call for prices.

Part No.	Description	Ctn Qty	Price
SPX1600AA	Pump Housing/ Strainer, 1 ½" x 1 ½" with Drain Plugs	1	320.00
SPX1620AA	Pump Housing/ Strainer, 2" x 2" with Drain Plugs	1	330.00
SPX1600T	Housing Gasket Factory original part	1	9.00
SPX1600R	Diffuser Gasket	10	8.00
SPX1600TRA	Seal Assembly Kit (includes Seal Assembly, Housing & Diffuser Gaskets)	10	72.00
SPX1600D	Strainer Cover, clear Lexan	10	70.00
SPX1600DB	Strainer Cover for Biguanide Sanitizers NOT pressure testable	10	74.00
SPX1600S	Strainer Cover Gasket - Factory original part	1	13.00
SPX1600M	Basket – Factory original part	1	20.00
SPX1600PN	Hand Knob Kit (Includes swivel nut and hand knob)	10	15.00
SPX1600V	¼" Drain plug (1991and prior)	25	7.00
SPX1700FG	¼" Drain plug with gasket	10	7.50
SPX1600GJ	Mounting Feet- Long (Set left and right w/adapter and 4 cap screws)	1	19.00
SPX1600Z52	Mounting Foot Cap Screw (Set of 2-1995 and prior, 2 sets required)	1	6.00
SPX1600Z2	Seal Assembly	1	29.00
SPX1600F5	Motor Mounting Plate	2	60.00
SPX1600Z4	Housing Cap Screw	10	5.00
SPX0125Z44	Motor Cap Screw (Set of 4)	1	9.00
SPX0125F	Slinger	10	3.45
SPX2600B	Diffuser, for ½ thru 2 HP	1	44.00
SPX 1616B	Diffuser, for 2 ½ HP only	1	46.50
SPX2600E5	Seal Plate, ½ thru 2 HP	2	68.00
SPX1611E5	Seal Plate, 2 ½ HP only	2	86.00
SPX2600C	Impeller, for ½ HP - For up-rated Models	10	69.00
SPX2605C	Impeller, for ¾ HP	10	69.00
SPX2607C	Impeller, for 1 HP	10	69.00
SPX2610C	Impeller, for 1½ HP	10	72.00
SPX2615C	Impeller, for 2 HP	10	75.00
SPX1621C	Impeller, for 2½ HP	1	86.00
Motor	See Motor Pages 22 1-6	1	-----
All Generic Parts listed are priced at full dealer discount not OEM discounts.			

PoolCo USA

Power-Flo LX™ SP1580 PUMP SERIES REPLACEMENT PARTS

Parts for Pump Models: SP1575LX, SP1580, SP1580X15, SP1520UN and SP1680 Series



NOTE: Dealer discount does not apply to Hayward original parts. Call for multiplier.

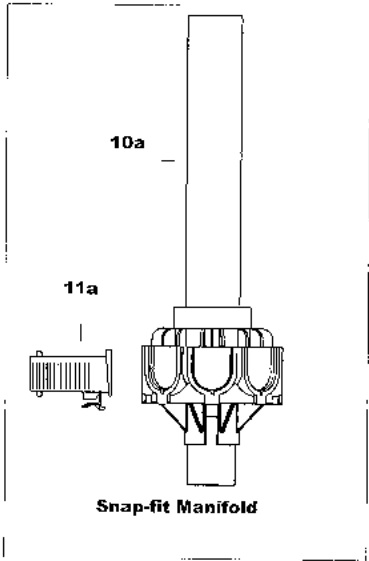
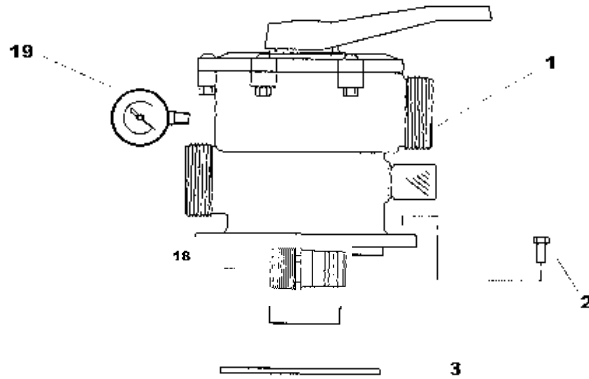
Part No.	Description	Ctn Qty	Price
SPX1580AAP	Pump Housing	4	82.00
SPX1580BP	Housing Cover	2	67.00
SPX1500KA	Seal Assembly w/cup Use # 2131 -- Page 22-7	1	32.00
AS-200	Generic seal for above w/o cup Page 22-7	1	10.00
SPX1580Z1	Housing O-ring Use O-299 List 4.80	1	10.22
SPX1500N2	Housing Bolt, No. 10-24 Hex. Head	20	1.87
SPX1500Y2	Housing Nut, No. 10-24 Hex	20	1.67
SPX1500F	Impeller ¾ HP	10	42.00
SPX1500L	Impeller 1HP	10	46.00
SPX1500CAP	Strainer Housing w/ Basket Available in Generic	1	90.00
SPX1500D2A	Strainer Cover, clear Lexan, w/ O-ring Available Generic	10	52.00
SPX1500P	Strainer Cover O-ring - clear cover Use O-231 List 4.50	1	8.98
SPX1250RA	Strainer Basket (1992 and prior) Use Generic B-169	10	15.00
SPX1500LX	Strainer Basket- Large, 4 ½ x 7 See Generic Below	10	17.00
SPX1500CA,LX	Strainer Basket Use B-220 Page 22-13	1	12.00
SPX1500RA	Check Valve Assembly (1990 and prior)	10	27.00
SPX1500W	Strainer O-ring May also use O-128	1	3.30
SPX1700FG	Drain Plug with Gasket	10	5.80
SPX1500X1	Shim for vertical discharge (1999 and prior)	10	1.90
SPX1515C	Strainer Housing C-Clip (2000 -2003)	10	8.00
SPX1515CN	Strainer Housing C-Clip (2004 -)	10	9.00
Go-Kit 13	Deluxe seal and gasket set for 1500-1700 Series	1	62.00
SP1520UN LX Parts same as SP1580 except as listed below:			
SPX1580AAT	Pump Housing with External Thread	4	76.28
SPX1520BT	Housing Cover with External Thread, 1, 1 ½, 2 HP	2	66.56
SPX1500LH	1 HP Hi-Performance Impeller	10	45.00
SPX1580CH	1 ½ HP Hi-Performance Impeller	10	45.00
SPX1525CH	2 HP Hi-Performance Impeller	10	45.00
SPX3005R	Impeller Ring- for Hi-Performance Impellers	1	6.00
SPX1680GA*	Basket SP1680 Series Part	10	22.00

All Generic Parts listed are priced at full dealer discount not OEM lesser discount.

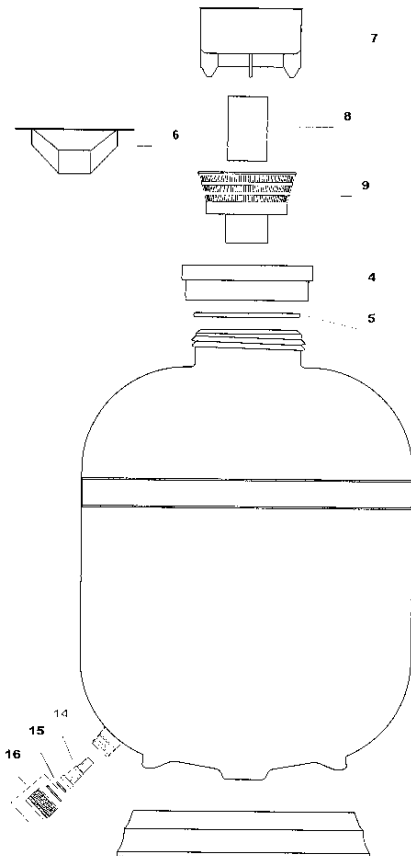
PoolCo USA



PARTS DIAGRAM FOR LASER SAND FILTERS 160L, 190L, 192L, 225L, 250L



12



17

Fig. #	Part No.	Description	Price
1	39-2582-07-R	4-way Dial Valve Ltd originals – check for availability	140.00
	39-2588-00-R	6-way Dial Valve “ “ See Pg 18-15 to 17	240.00
	39-2628-03-R	DVK-7 Vave “ “ “	220.00
2	14-0743-06-R	Hex Capscrew 5/16” 18 x 1”	1.80
3	13-0378-09-R	Gasket - square Use G-145	6.00
4	85-8133-00-R	Laser Tank Adapter Flange	64.00
5	47-0434-01-R	O-ring 5-5/8” x 6 1/8”- BN Eff. 04/29/92	11.00
6	22-3639-07-R	Fill Spout 9869	5.00
7	43-0715-05-R	Diverter 011175 Effective 11/01/90	9.00
8	31-0113-64-R	Upper Pipe 1 1/2” x 4 1/2” PVC 160 (Effective 11/01/90)	7.00
9	88-1580-01-R	Filter Basket (Effective 11/01/90)	10.00
10a	42-3757-09-R	L160 Standpipe/ Manf. Assy. Snap fit	55.00
	42-3760-04-R	L190 Standpipe/ Manf. Assy. Snap fit	49.00
	42-3760-50-R	L192 Standpipe/ Manf. Assy. Snap fit	70.00
	42-3761-03-R	L225 Standpipe/ Manf. Assy. Snap fit	72.00
	42-3754-02-R	L250 Standpipe/ Manf. Assy. Snap fit	76.00
11	42-3532-01-R8	L160 Lat. Kit (8/bag)	50.00
	42-3511-06-R8	L190, L192, L225 Lat. Kit (8/bag)	60.00
	42-3517-00-R8	L250 Lat. Kit (8/bag)	70.00
11a	85-5311-02-R8	L160 Lat. Kit Snap fit (8/bag)	58.00
	85-5312-03-R8	L190, L192, L225 Lat. Kit Snap fit (8/bag)	68.00
12	85-5313-04-R8	L250 Lat. Kit Snap fit (8/bag)	82.00
	42-3770-02-K	L160 Underdrain Assy. w/snap Fit Laterals - fits all	86.00
	42-3771-01-K	L190 Underdrain Assy. w/snap Fit Laterals - fits all	98.00
	42-3771-50-K	L192 Underdrain Assy. w/snap Fit Laterals - fits all	106.00
	42-3773-09-K	L225 Underdrain Assy. w/snap Fit Laterals - fits all	120.00
13	42-3774-08-K	L250 Underdrain Assy. w/snap Fit Laterals - fits all	132.00
	9408-0160	Laser 160 Tank Assy. Old Style w/bolted valve	NLA
	9408-0190	Laser 190 Tank Assy. “	NLA
	9408-0192	Laser 192 Tank Assy. “	NLA
	9408-0225	Laser 225 Tank Assy. “	NLA
14	9408-0250	Laser 250 Tank Assy. “	NLA
	85-8533-00-R	Laser Drain Nozzle	8.29
	14-4254-09-R	Drain Nozzle Retainer	2.00
	85-8263-00-R	Drain Cap w/gasket	5.50
	85-8593-00-R	Laser 160, 190, 192, 225, 250Base Assy.	64.00
18	31-1650-04-R	Laser 160 Backwash Adapter 1 1/2” Male Thread	8.00
	31-1652-02-R	Laser 190/192 Backwash Adapter	8.00
	31-1653-01-R	Laser 225/250 Backwash Adapter	8.00
19	9193-4182-R	PG 60 Pressure Gauge 0-60#	20.00



[Check Availability and Costs of Above Parts At Time of Order](#)

PoolCo USA

PARTS FOR MAGNUM, MAGNUM PLUS, MAGNUM FORCE & MAGNUM FORCE 3 MODELS



Pump Rating	Date Codes	#13 Diffuser	#15 Impeller	#18 Seal Housing
1/2 HP full rate & 3/4 HP uprate	All	06-0157-05-R	05-3800-01-R	02-1366-04-R
3/4 HP full rate & 1 HP uprate	All	06-0167-03-R	05-3855-05-R	02-1393-01-R
1 HP full rate & 1-1/2 HP uprate	Prior to 12/02/04	06-0167-03-R	05-3854-06-R	02-1393-01-R
1 HP full rate & 1-1/2 HP uprate	After 12/01/04	06-0010-02-R	05-0382-03-R	02-1392-02-R
1-1/2 HP full rate & 2 HP uprate	Prior to 12/02/04	06-0165-05-R	05-3819-00-R	02-1392-02-R
1-1/2 HP full rate & 2 HP uprate	After 12/01/04	06-0010-02-R	05-0383-02-R	02-1392-02-R
2 HP full rate & 2-1/2 HP uprate	Prior to 12/02/04	06-0165-05-R	05-3818-01-R	02-1392-02-R
2 HP full rate & 2-1/2 HP uprate	After 12/01/04	06-0010-02-R	05-0384-01-R	02-1392-02-R
3 HP full rate & 3 HP uprate	All	06-0165-05-R	05-3820-07-R	02-1392-02-R
4 HP uprate	All	06-0008-06-R	05-0373-04-R	02-1392-02-R
5 HP uprate	All	06-0008-06-R	05-0371-06-R	02-1392-02-R

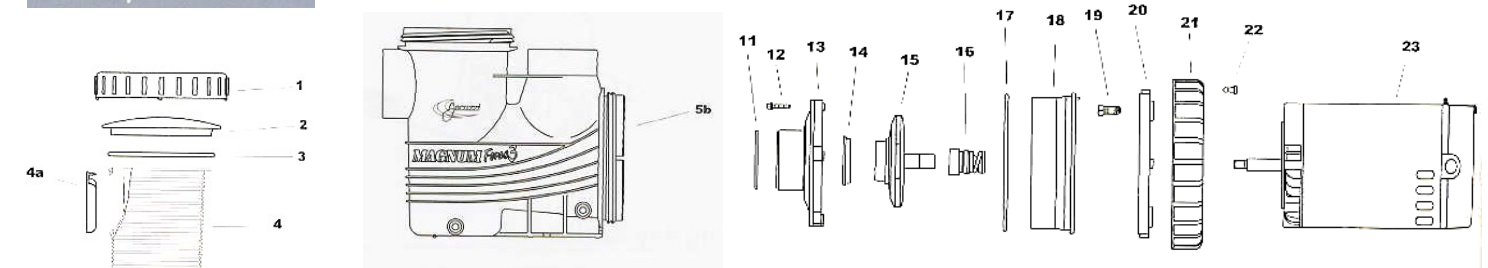


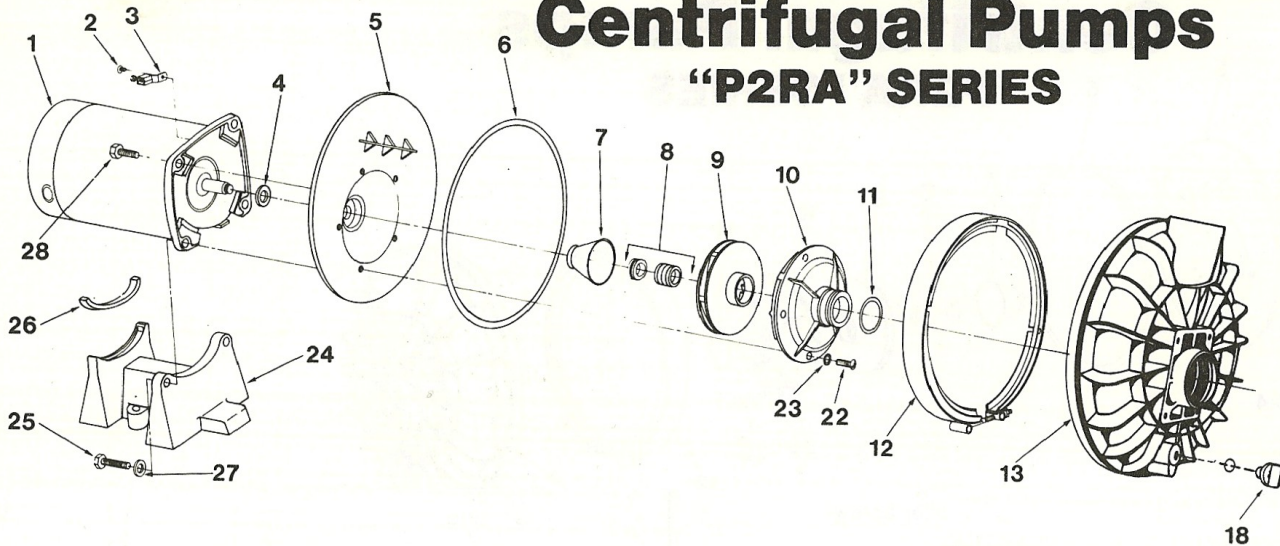
Fig.#	Part No.	Description	Price
1	42-2828-06-R	Strainer RingLok	26.50
2	39-2579-02-R	Strainer Cover	39.00
3	47-0434-01-R	Strainer O-ring 5-5/8" x 6-1/8" x 1/4"- Units prior 07/ '89	Use O-302 5.90
	47-0358-03-R	Strainer O-ring- Units after 07/ '89	Use O-336 5.80
4	16-1097-04-R	Strainer Basket w/ Flapper for Magnum plus	32.95
	16-1086-06-R	Strainer Basket (9" tall) w/ Flapper for Magnum Force prior to 02/01/03	32.95
	16-1134-09-R	Strainer Basket (12" tall) w/Flapper for Magnum Force after 02/01/03	36.00
4a	16-1135-10-R	Flapper	10.60
5	03-0856-02-R	Magnum Plus Body	146.60
5a	03-2009-04-R	Magnum Force Body- prior to 02/01/03 (obsolete- refer to #25 below)	NA
	03-0906-02-R	Magnum Force Body w/ plugs and basket after 02/01/03	158.00
5b	03-2008-05-R	Magnum Force3 Body- prior to 02/01/03 (obsolete- refer to #25 below)	NA
	03-0907-01-R	Magnum Force3 Body w/ plugs and basket after 02/01/03	165.00
6	31-1746-00-R	Strainer Basket air bleed tube	6.90
7	31-1609-06-R2	Drain Plug w/ O-ring (2/bag)	4.00
	31-1609-06-R50	Drain Plug w/ O-ring (50/bag)	104.00
8	12-2613-80-R	Base Motor support assembly for Magnum Plus	71.00
9	14-4231-07-R	Dowel Pin 1/4" x 1 1/4" SS for Magnum Plus	3.00
10	12-1126-03-R	Pump base for Magnum Force	60.50
10a	12-1124-05-R	Motor Support for Magnum Force	6.50
11	47-0232-54-R	Square ring gasket	Use O-462 3.50
12	14-4206-08-R5	Hex washer head screw #8 x 1 1/4" SS (2or 3 req'd) (3/bag)	6.00
13		All Diffusers- See Chart above	30.00
14	10-1462-07-R	Seal Ring 1/2 - 3 HP	8.00
	10-1463-14-R	Seal Ring 4 & 5 HP	13.00
15		All Impellers- See Chart above	74.00
16	10-1390-20-R	Shaft Seal	Use PS-201 11.00
17	47-0364-47-R	O-ring 6-3/4" x 7-1/8"	Use O-263 6.80
18		All Seal Housings- See Chart above	150.00
19	14-1293-24-R4	PL hex capscrew 3/8" - 16 x 7/8" (4/bag)	2.75
20	02-1368-02-R	Motor Housing bracket	51.00
21	42-2886-05-R	Pump Ringlok w/ ratchet	65.00
22	42-2867-08-R	Mounting Ringlok w/ ratchet	5.95
23		Motor-	See motor pages 22-1 to 7
24	31-1003-35-R2	2UN half kit (inc. 2 ea.) effective on units prior to 09/ '99	NA
	31-1501-09-R2	2UN half kit (inc. 2 ea.) effective for units built after 10/ '99	24.00
25	42-2345-06-K	Case/Base/Basket Assembly for Magnum Force #1,2,3,4,4a,5,6,7,8,8a	201.00



[Check availability and cost of above parts at time of order](#)



Centrifugal Pumps "P2RA" SERIES



NOTE: Regular dealer discount do not apply to these parts depending on item and availability.

FIG	Part No.	Description	List
1	Chart at right	Motor See Pages 22-1 to 7	-----
5	C203-137P1	Seal plate	168.00
6	U9-228A	O-ring Use O-240	12.00
7	J3-2	Insert	N/A
8	U109-93SS	Shaft seal Use PS-100	28.00
8	17304-01005	Shaft seal Use PS-200	30.00
9	Chart at right	Impeller average cost + -	115.00
10	C1-200PA	Diffuser	40.00
11	U9-226	O-ring, Diffuser Use O-49	3.00
12	C19-37A	Clamp	110.00
	WC36-22	Clamp Knob	14.00
13	C176-47P1	Tank body	140.00
18	U178-920P	Drain plug 1/4" NPT	4.80
22	U30-542SS	Screw #8- 32 x 7/8"	2.00
23	U43-21SS	Washer, #8 lock	1.80
24	C104-42P	Base w/ motor pad	46.00
25	U30-77SS	Bolt 3/8-16x1 3/4" USS	4.95
26	C35-11	Motor pad	4.00
27	U43-42SS	Washer, flat	1.95
28	U30-74SS	Bolt 3/8-16x1" USS	4.00
N/L	C3-139P1	5"Trap Cover use generic replacement	68.00
N/L	U9-229	5"Cover O-Ring use genericO-218	14.00
N/L	C108-33P	5" Strainer Basket use generic B-106	14.00
N/L	C20-123	Strainer Gasket use generic G-99P,RS	9.00

Parts are common to all models listed except as noted; Key Nos. 1, Motor; and 9, Impeller are listed below.

Model No.	HP	Motor No. (Key No. 1)	Impeller No. (Key No. 9)
230 Volt			
P2RA5C-119L	1/2	A100CLL	C105-92PR
P2RA5D-120L	3/4	A100DLL	C105-92PS
P2RA5E-124L	1	A100ELL	C105-138PEB
P2RA5F-125L	1-1/2	A100FLL	C105-137PEB
P2RA6F-125L	1-1/2	A100FLL	C105-137PEB
P2RA5G-126L	2	AE100GLL	C105-137PDB
P2RA6G-126L	2	A100GLL	C105-137PDBA

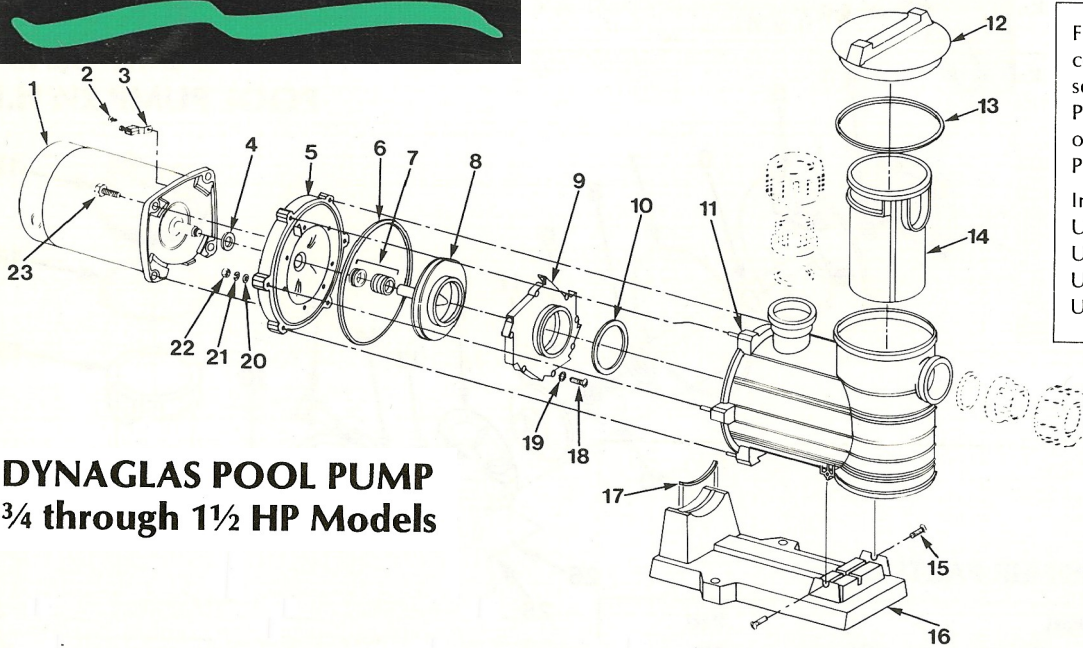
P2RA5 models include 5" trap, Pkg. 115.

P2RAX models do not include trap.

For trap parts, see Page 36.

* Models P2RA5C-119L use Part No. C1-217P; P2RA5D-120L uses Part No. C1-216P.

● Not illustrated.



For quick disconnect pipe connections purchase separately:
 Pkg 188 2" Slip 1/2 Union Kit
 or
 Pkg. 189 2" NPT 1/2 Union Kit.
 Includes:
 U11-200P Union Collar
 U9-362 O-Ring
 U11-196P 2" Slip adapter or
 U11-199P 2" NPT adapter.

DYNAGLAS POOL PUMP 3/4 through 1 1/2 HP Models

Key No.	Part Description	Qty.	MPRA6D-146L 3/4 HP	MPRA6E-147L 1 HP	MPRA6F-148L 1-1/2 HP
1	Motor 115/230 Volt/1 Phase	1	A100DLL	A100ELL	A100FLL
2	Screw #10-32x1/2"	1	U30-692SS	U30-692SS	U30-692SS
3	Bonding Lug	1	U17-568	U17-568	U17-568
4	Slinger	1	C69-24	C69-24	C69-24
5	Seal Plate	1	C3-184P	C3-184P	C3-184P
6	Seal Plate Cord Ring	1	U9-373	U9-373	U9-373
7	Shaft Seal	1	U9-358SS	U9-358SS	U9-358SS
8	Impeller	1	C105-236P	C105-236PB	C105-236PC
9	Diffuser	1	C1-270PB	C1-270PC	C1-270P
10	Diffuser "O" Ring	1	U9-374	U9-374	U9-374
11	Tank and Trap Body (Only)	1	C76-58P	C76-58P	C76-58P
●	Drain Plug	2	U178-920P	U178-920P	U178-920P
12	Trap Cover	1	C3-185P	C3-185P	C3-185P
13	Trap Cover "O" Ring	1	U9-375	U9-375	U9-375
14	Trap Basket	1	C8-58P	C8-58P	C8-58P
15	Hi-Lo Screw 5/16-14x5/8"	2	U30-919SS	U30-919SS	U30-919SS
16	Base	1	C4-77P	C4-77P	C4-77P
17	Motor Pad	1	C35-45	C35-45	C35-45
18	Screw #8-32x7/8" Rd. Hd.	7	U30-542SS	U30-542SS	U30-542SS
19	Lock Washer #8 Ext. Tooth	7	U43-21SS	U43-21SS	U43-21SS
20	Flat Washer 3/8"	6	U43-62SS	U43-62SS	U43-62SS
21	Lock Washer 3/8"	6	U43-12SS	U43-12SS	U43-12SS
22	Nut 3/8-16 Hex	6	U36-38SS	U36-38SS	U36-38SS
23	Cap Screws 3/8-16x1" Hex.	4	U30-74SS	U30-74SS	U30-74SS